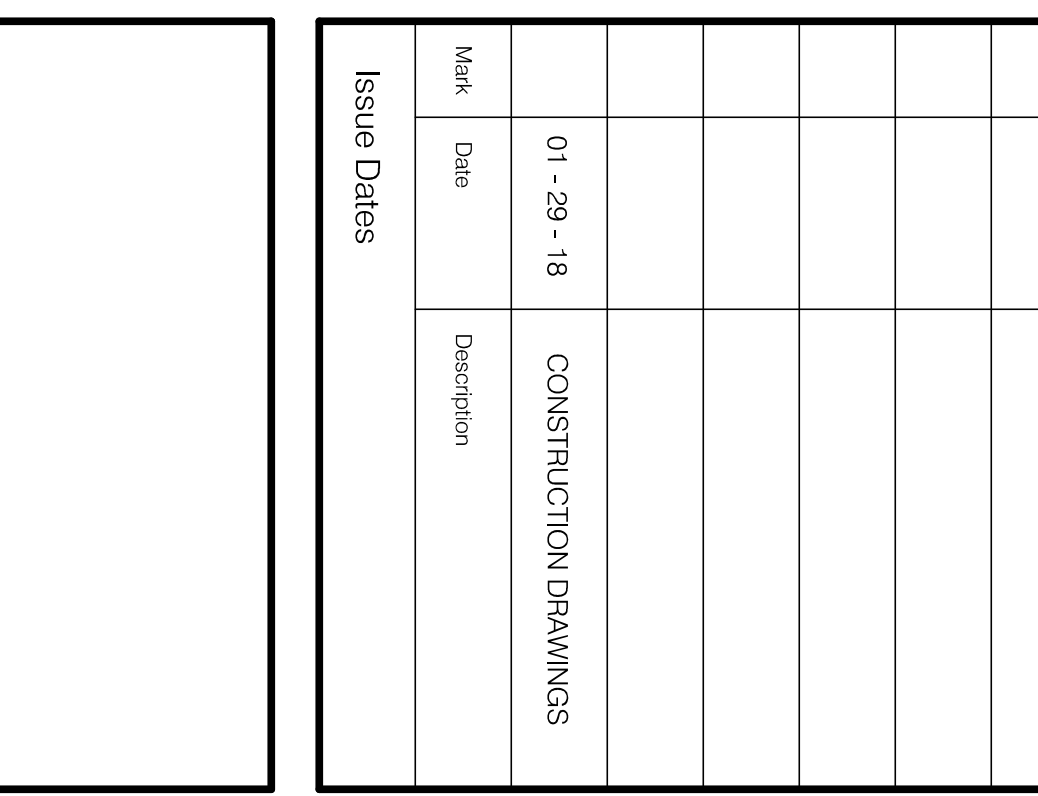
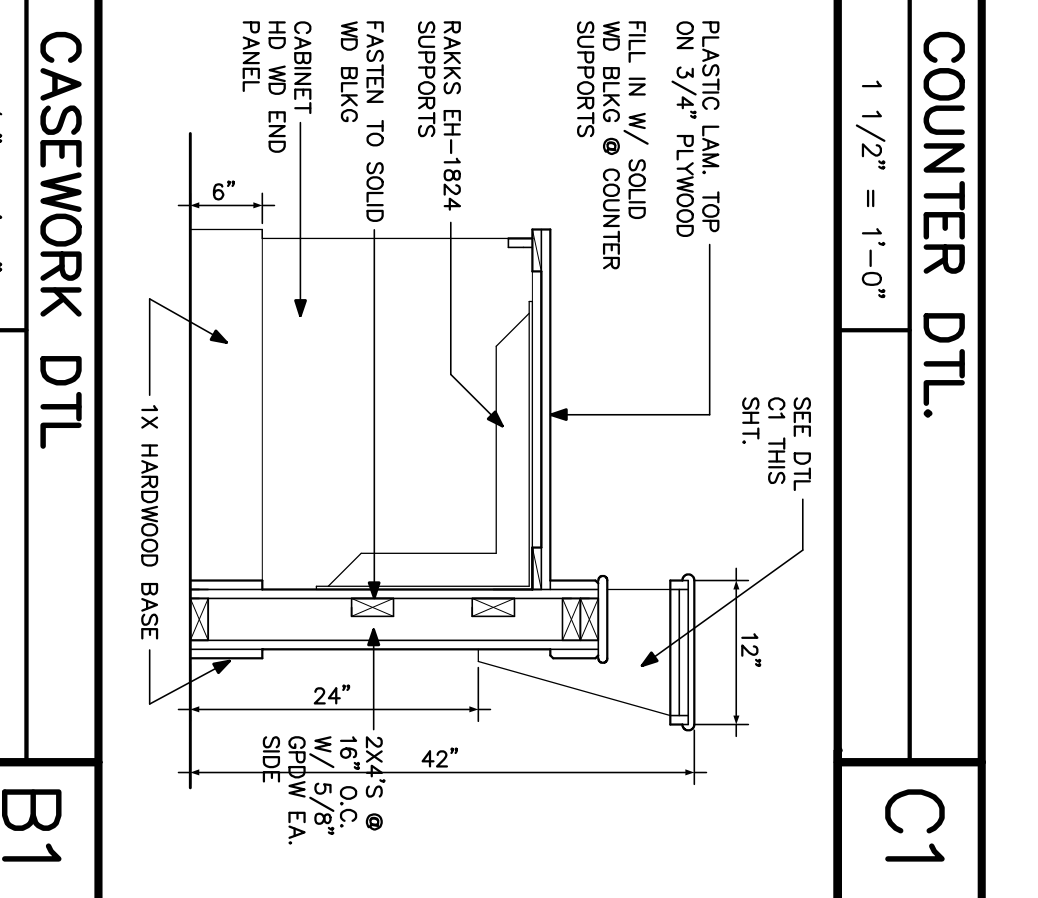
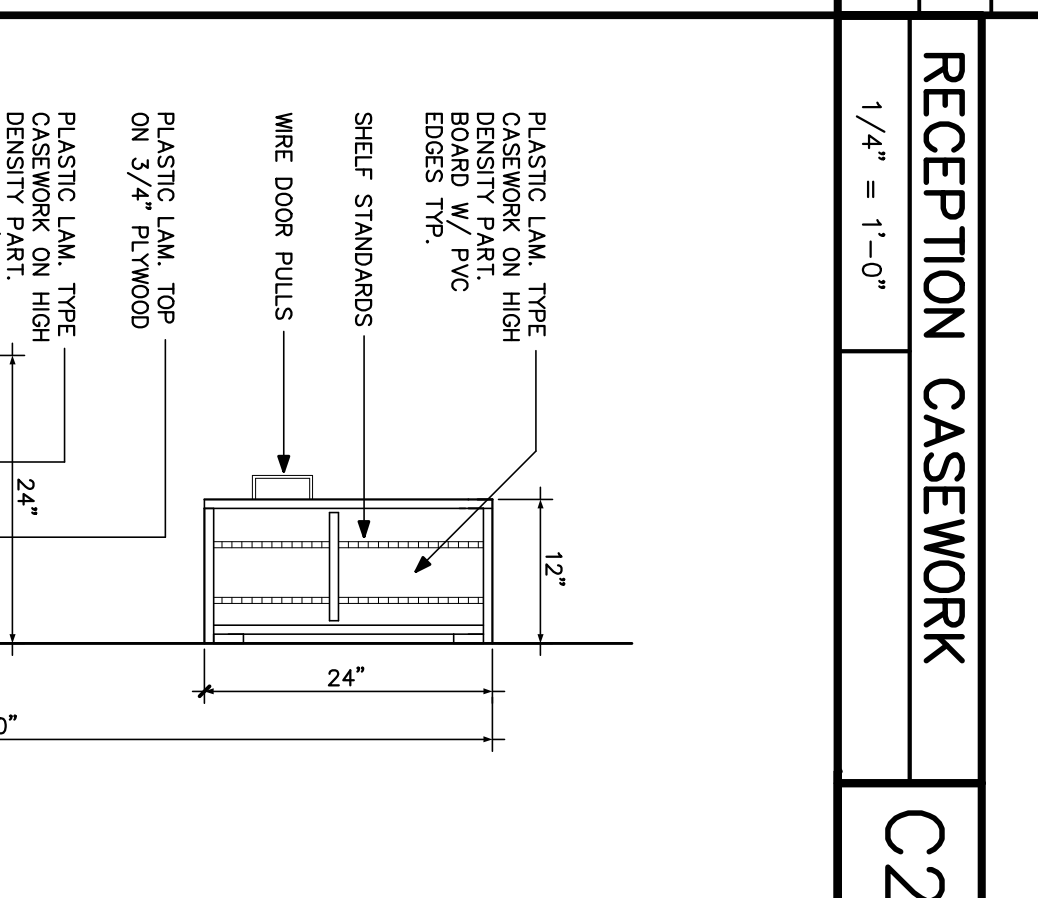
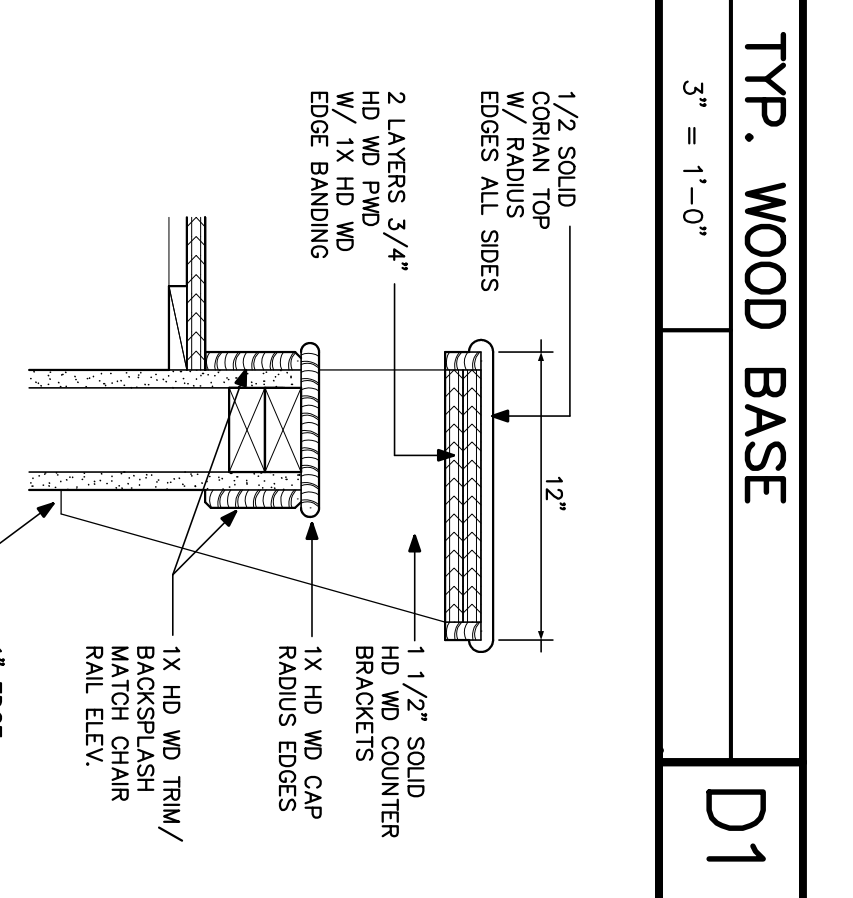
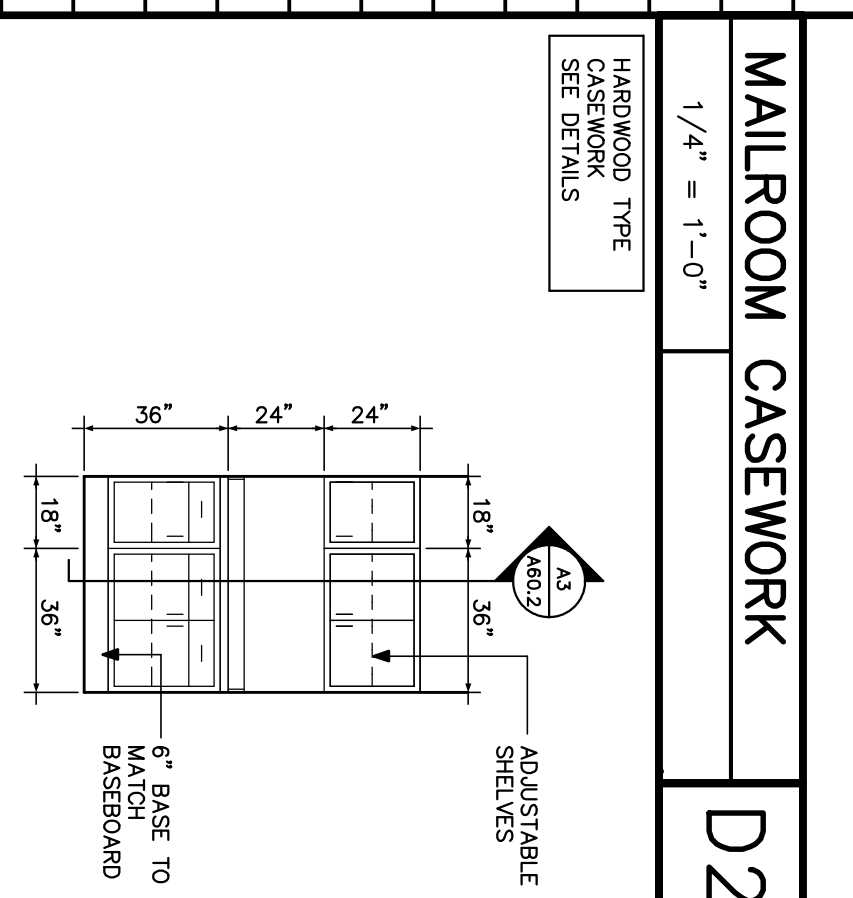
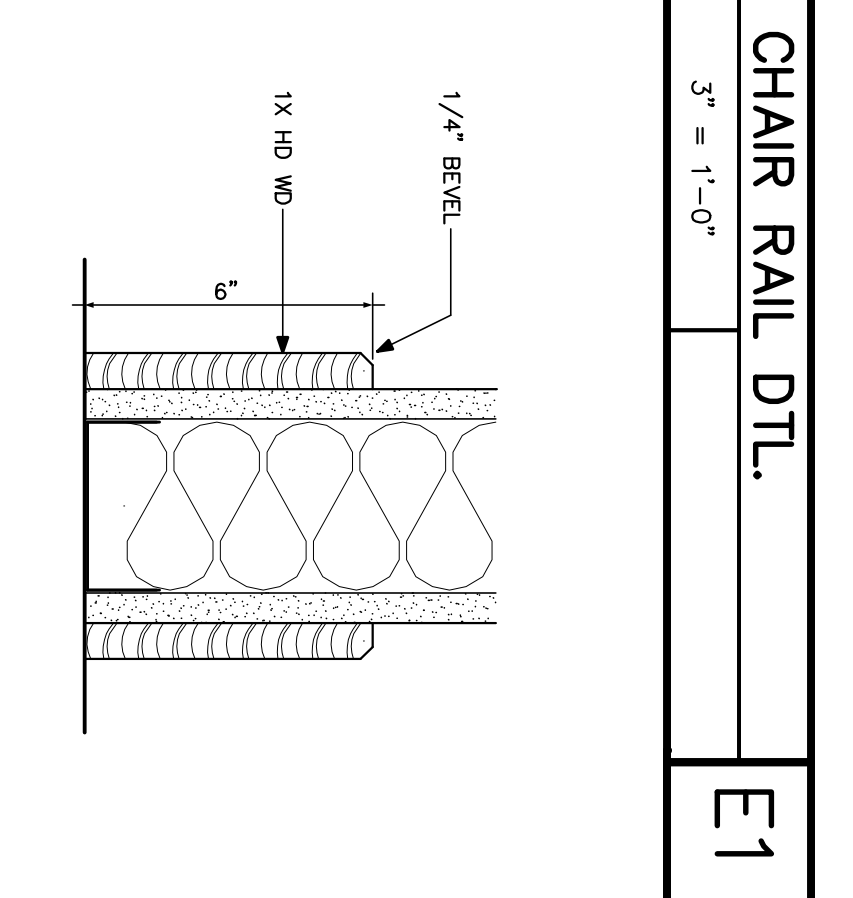
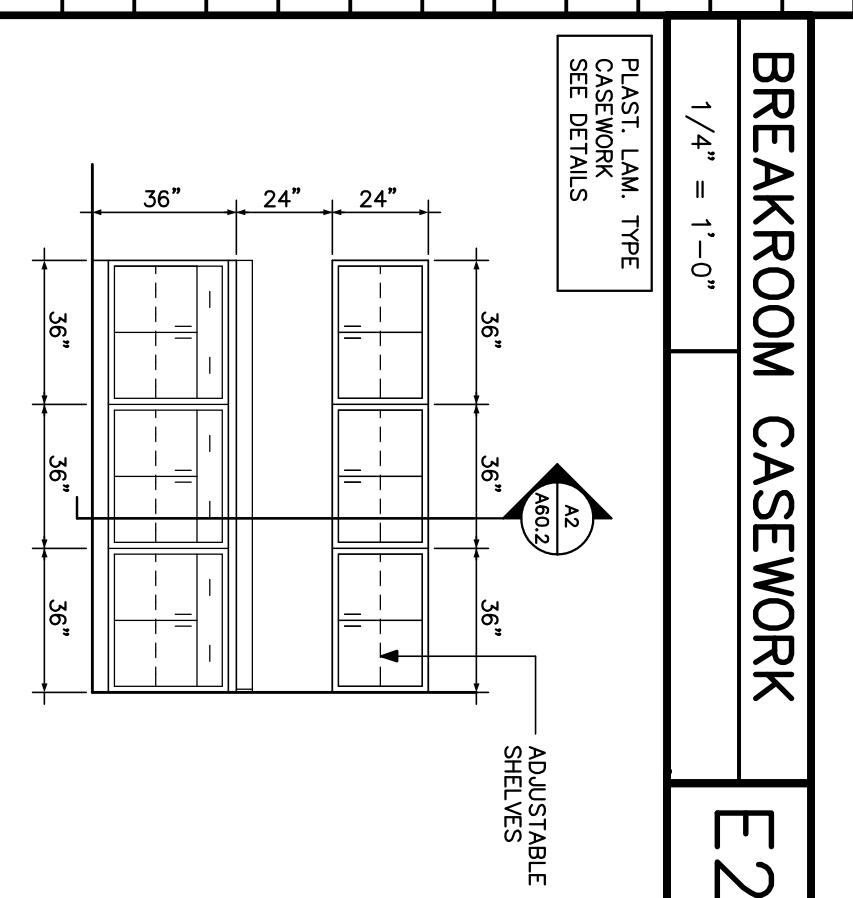
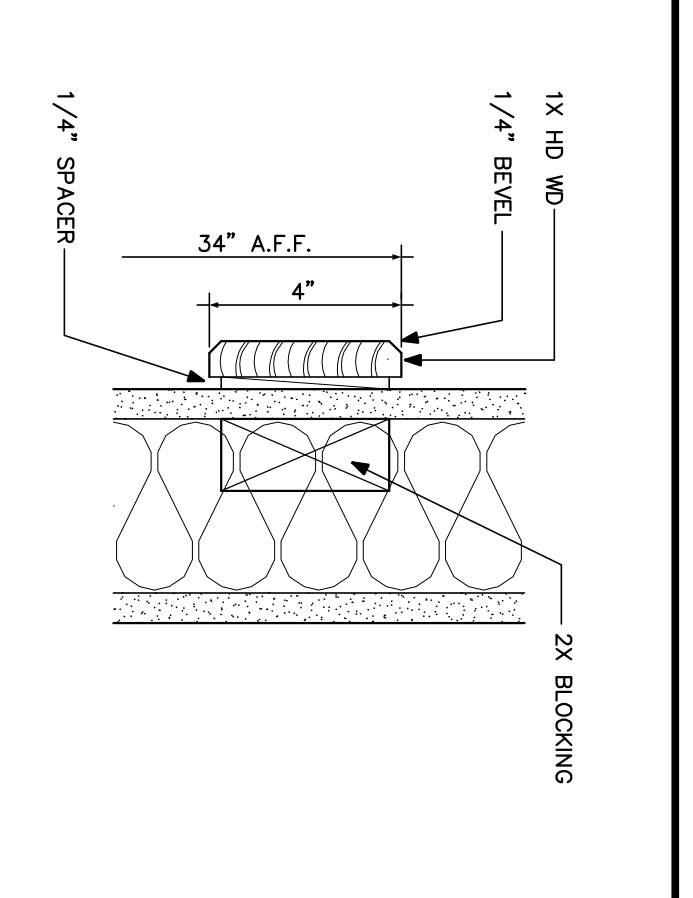
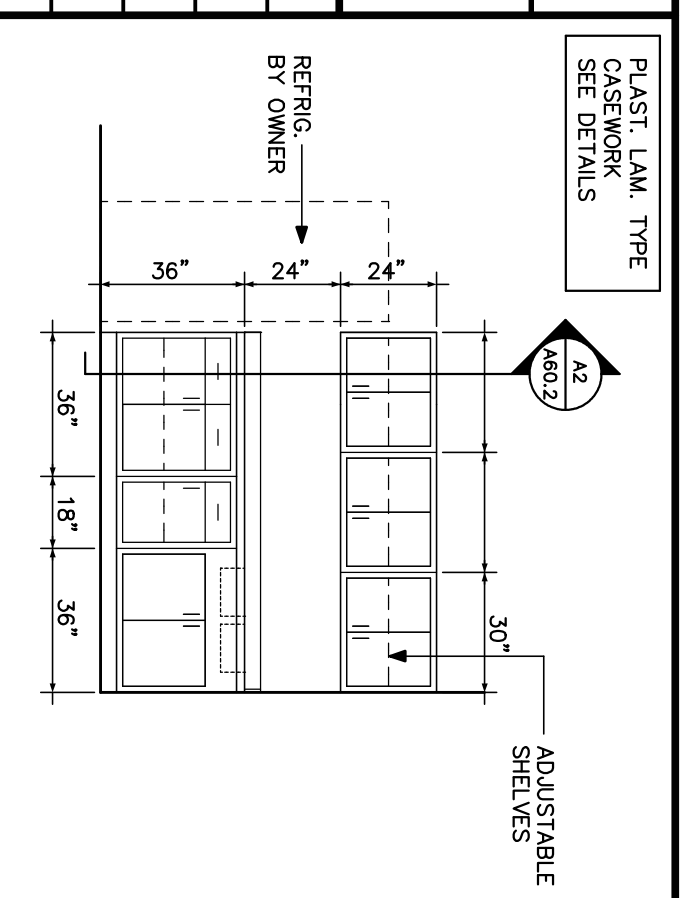
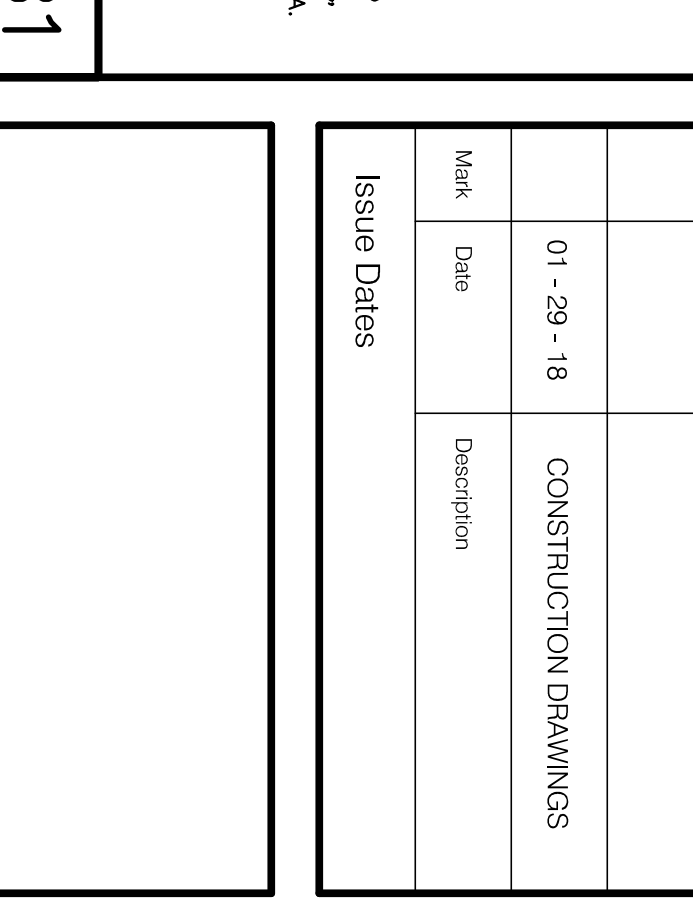
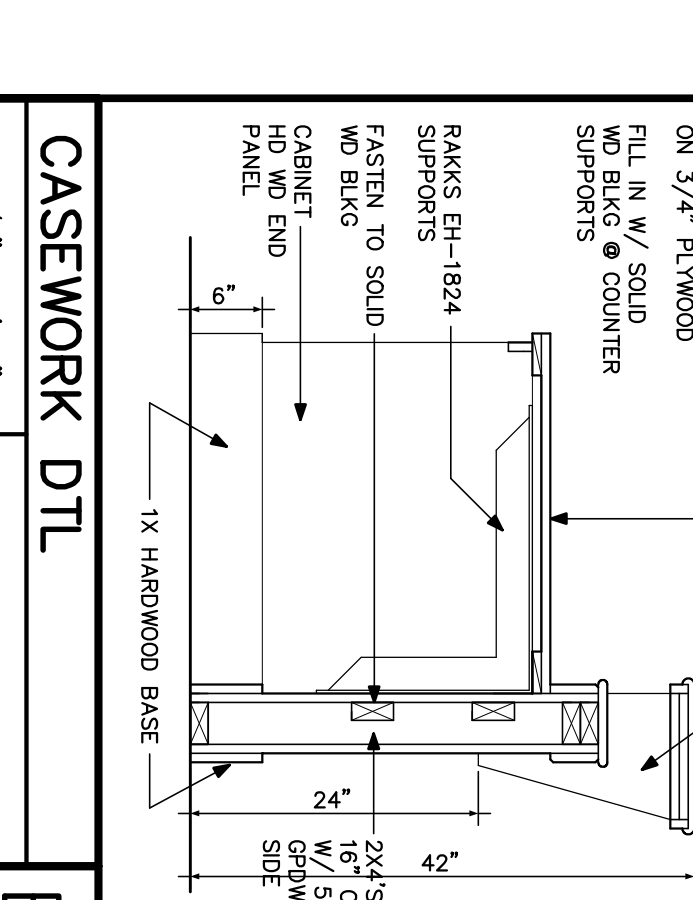
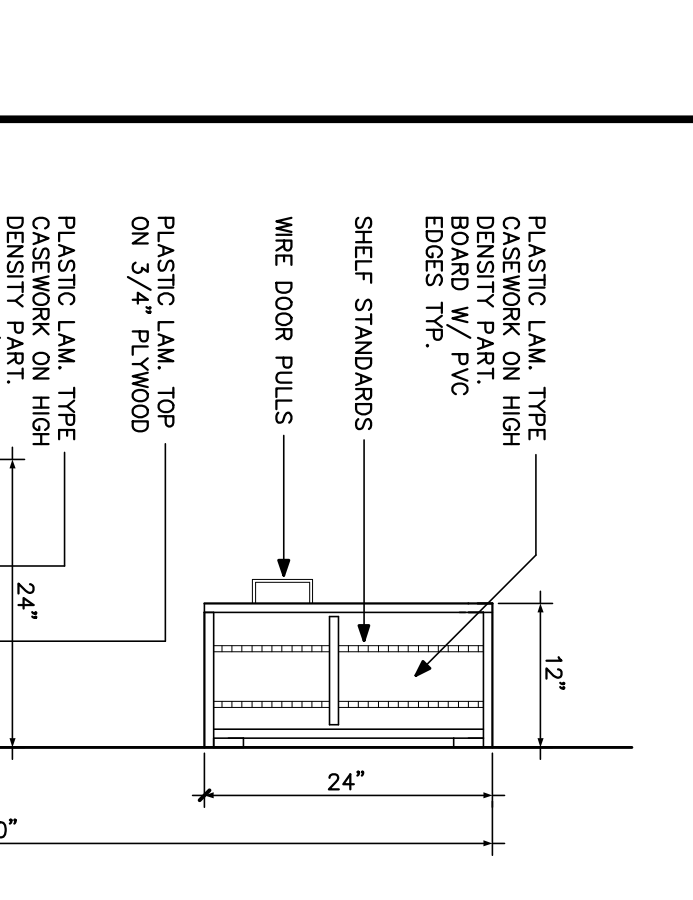
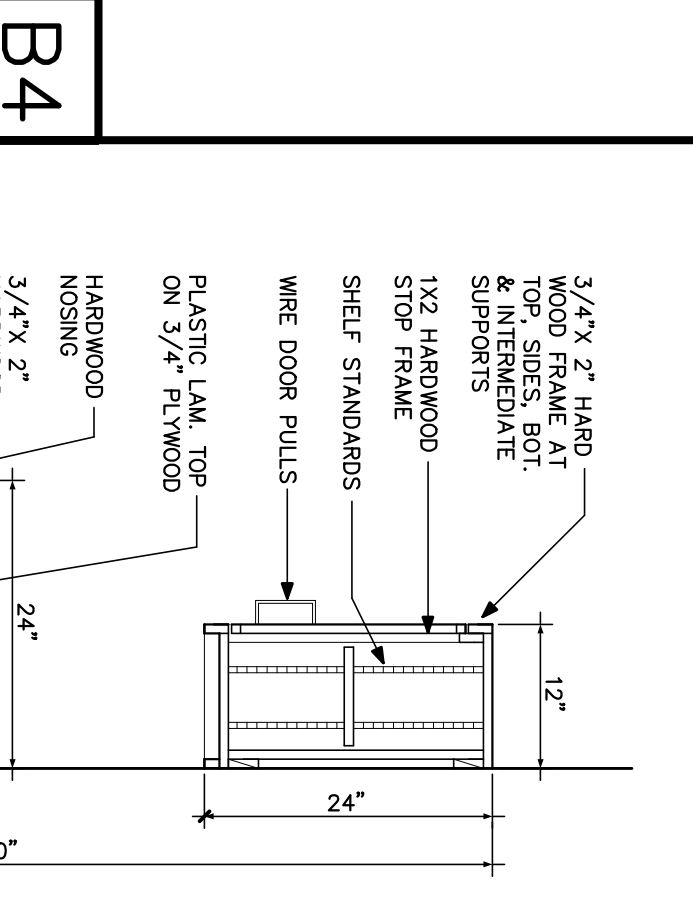
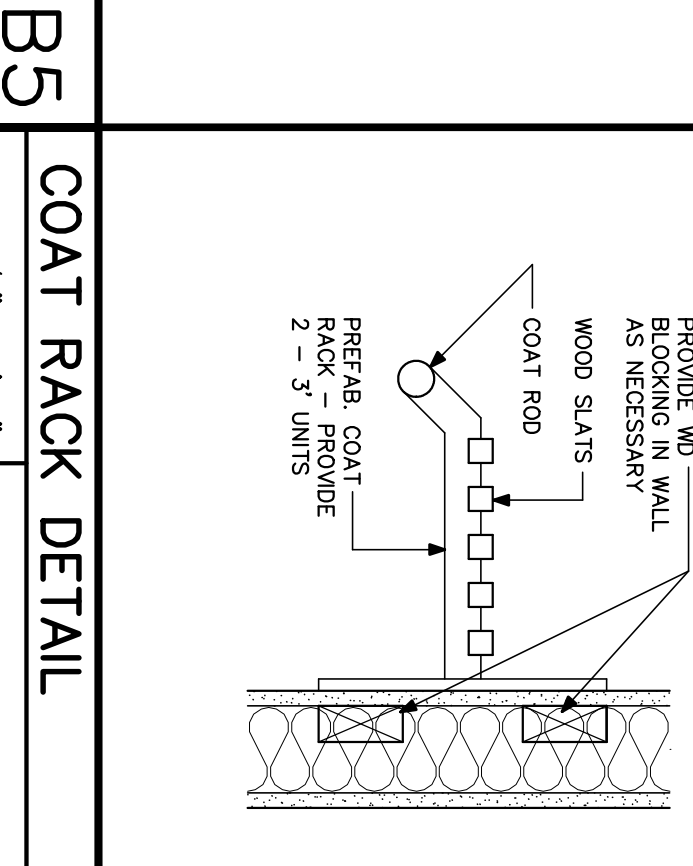
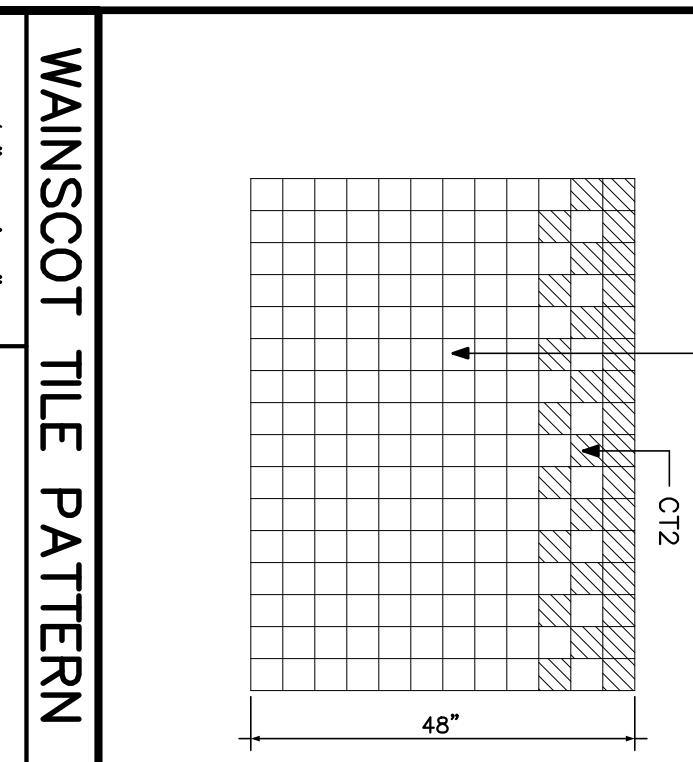
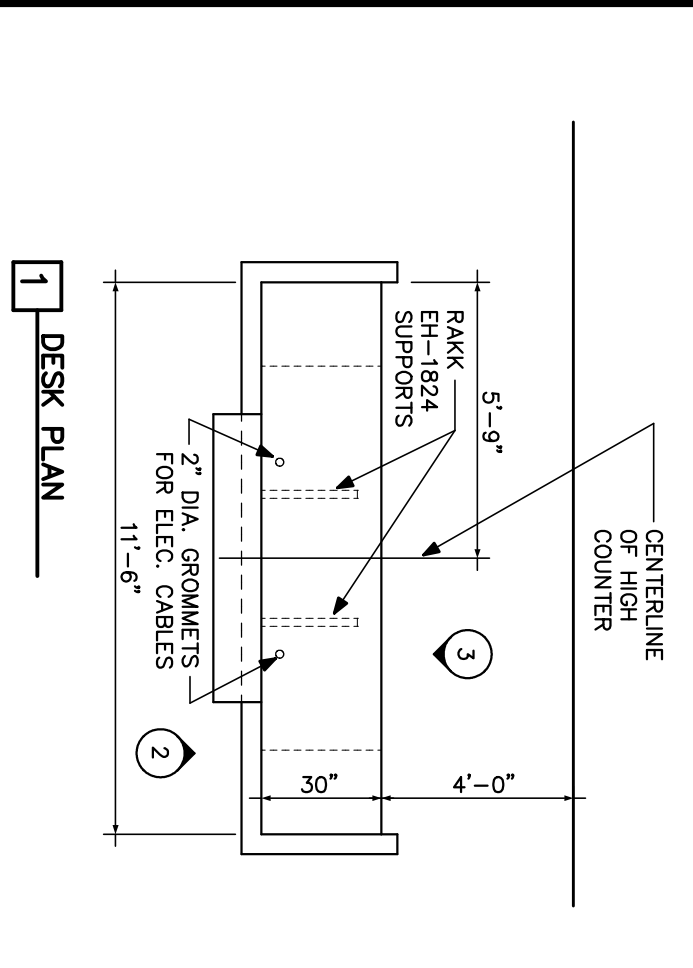


ROOM FINISH SCHEDULE

ROOM	FLOOR	BASE	WAINSCOT			WALLS						CEILING		REMARKS	
			MAT	FIN	HT	NORTH	EAST	SOUTH	WEST	MAT	FIN	HT			
101	VESTIBULE	ENTRY MAT	---	---	---	GP/W	PT	GP/W	PT	GP/W	PT	ACT/SP/W	PT	8'-6"	
102	RECEPTION	CARPET	WOOD	NAT		GP/W	PT	GP/W	PT	GP/W	PT	ACT/SP/W	PT	8'-6"	CHAIR RAIL - SEE DETAIL E1
103	CONFERENCE RM	CARPET	WOOD	NAT		GP/W	PT	GP/W	PT	GP/W	PT	ACT	PT	8'-6"	
104	OFFICE	CARPET	WOOD	NAT		GP/W	PT	GP/W	PT	GP/W	PT	ACT	PT	8'-6"	
105	CORRIDOR	CARPET	WOOD	NAT		GP/W	PT	GP/W	PT	GP/W	PT	ACT	PT	8'-6"	
106	OPEN OFFICE	CARPET	WOOD	NAT		GP/W	PT	GP/W	PT	GP/W	PT	ACT	PT	8'-6"	
107	W. TOILET	CERAMIC TILE	CERAMIC TILE		48"	GP/W	PT	GP/W	PT	GP/W	PT	ACT	PT	8'-6"	WAINSCOT TILE PATTERN - SEE DETAIL B5
108	M. TOILET	CERAMIC TILE	CERAMIC TILE		48"	GP/W	PT	GP/W	PT	GP/W	PT	ACT	PT	8'-6"	WAINSCOT TILE PATTERN - SEE DETAIL B5
109	CORRIDOR	CARPET	WOOD	NAT		GP/W	PT	GP/W	PT	GP/W	PT	ACT	PT	8'-6"	
110	OFFICE	CARPET	WOOD	NAT		GP/W	PT	GP/W	PT	GP/W	PT	ACT	PT	8'-6"	
111	OFFICE	CARPET	WOOD	NAT		GP/W	PT	GP/W	PT	GP/W	PT	ACT	PT	8'-6"	
112	CORRIDOR	CARPET	WOOD	NAT		GP/W	PT	GP/W	PT	GP/W	PT	ACT	PT	8'-6"	
113	UTILITY RM	CONC	WOOD	NAT		GP/W	PT	GP/W	PT	GP/W	PT	STRUC.	PT	8'-6"	
114	FILE RM	VCT	RUBBER			GP/W	PT	GP/W	PT	GP/W	PT	ACT	PT	8'-6"	
115	CORRIDOR	CARPET	WOOD	NAT		GP/W	PT	GP/W	PT	GP/W	PT	ACT	PT	8'-6"	
116	CORRIDOR	CARPET	WOOD	NAT		GP/W	PT	GP/W	PT	GP/W	PT	GP/W	PT	8'-6"	
117	BREAK RM	VCT	RUBBER			GP/W	PT	GP/W	PT	GP/W	PT	ACT	PT	8'-6"	COAT RACK - SEE DETAIL B4
118	PRINT/MAIL RM	VCT	RUBBER			GP/W	PT	GP/W	PT	GP/W	PT	ACT	PT	8'-6"	
119	CONFERENCE RM	CARPET	WOOD	NAT		GP/W	PT	GP/W	PT	GP/W	PT	ACT	PT	8'-6"	
120	CONFERENCE RM	CARPET	WOOD	NAT		GP/W	PT	GP/W	PT	GP/W	PT	ACT	PT	8'-6"	CHAIR RAIL - SEE DETAIL E1
121	OFFICE	CARPET	WOOD	NAT		GP/W	PT	GP/W	PT	GP/W	PT	GP/W	PT	8'-6"	
122	OFFICE	CARPET	WOOD	NAT		GP/W	PT	GP/W	PT	GP/W	PT	ACT	PT	8'-6"	
123	OFFICE	CARPET	WOOD	NAT		GP/W	PT	GP/W	PT	GP/W	PT	ACT	PT	8'-6"	
124	OFFICE	CARPET	WOOD	NAT		GP/W	PT	GP/W	PT	GP/W	PT	ACT	PT	8'-6"	
125	OFFICE	CARPET	WOOD	NAT		GP/W	PT	GP/W	PT	GP/W	PT	ACT	PT	8'-6"	
126	OPEN OFFICE	CARPET	WOOD	NAT		GP/W	PT	GP/W	PT	GP/W	PT	ACT	PT	8'-6"	
127	CORRIDOR	CARPET	WOOD	NAT		GP/W	PT	GP/W	PT	GP/W	PT	GP/W	PT	8'-6"	
128	OFFICE	CARPET	WOOD	NAT		GP/W	PT	GP/W	PT	GP/W	PT	ACT	PT	8'-6"	
129	OFFICE	CARPET	WOOD	NAT		GP/W	PT	GP/W	PT	GP/W	PT	ACT	PT	8'-6"	
130	OFFICE	CARPET	WOOD	NAT		GP/W	PT	GP/W	PT	GP/W	PT	ACT	PT	8'-6"	
131	OFFICE	CARPET	WOOD	NAT		GP/W	PT	GP/W	PT	GP/W	PT	ACT	PT	8'-6"	
132	OFFICE	CARPET	WOOD	NAT		GP/W	PT	GP/W	PT	GP/W	PT	ACT	PT	8'-6"	



ROBERT J. FOSTER ARCHITECT
36 Groveside Road, Portland, Maine 04102
(207) 761-3822

Project Title
CROSS INSURANCE RENOVATIONS
2367 CONGRESS STREET
PORTLAND, MAINE

Mark	Date	Description
01-29-18		CONSTRUCTION DRAWINGS

Issue Dates	Description
01-29-18	CONSTRUCTION DRAWINGS

Drawing Title
ROOM FINISH SCHEDULE AND DETAILS
Drawing Number
A60.2