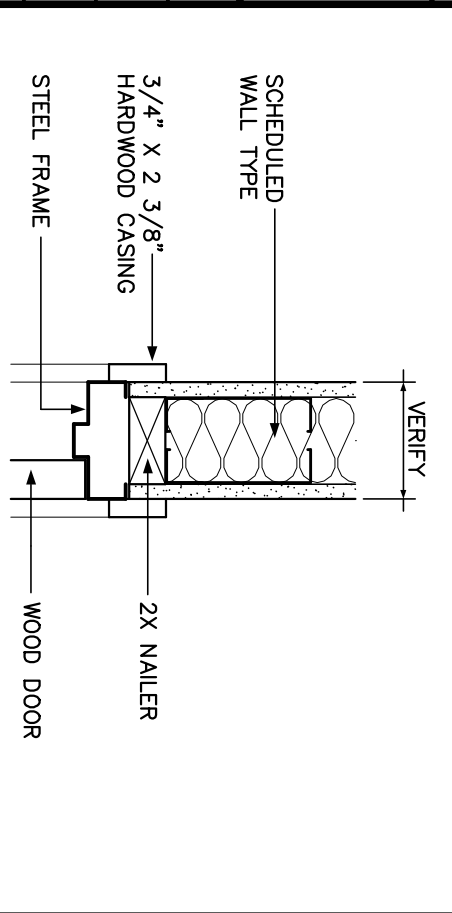
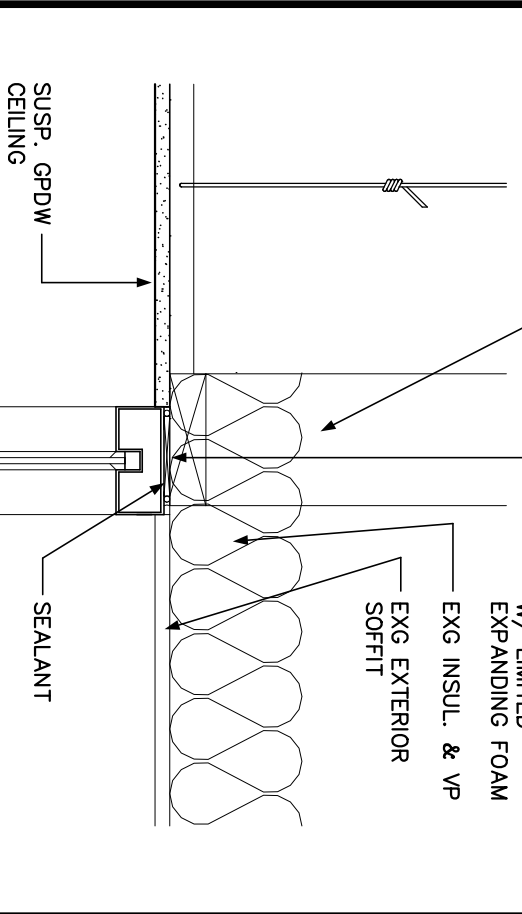


DOOR AND FRAME SCHEDULE

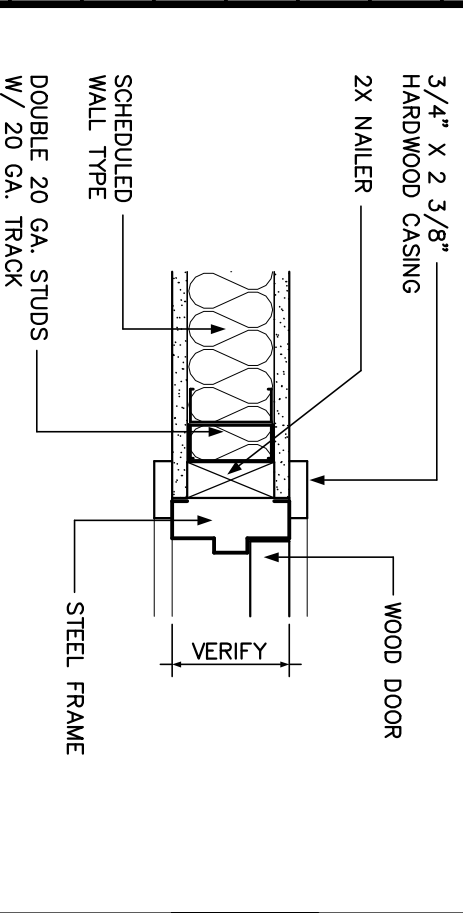
NO.	DOOR			FRAME			FIRE RATING	REMARKS						
	SIZE	THICK	MAT	GLASS	LOUVER	MAT			TYPE	HEAD	JAMB	SILL		
101A	3'-0"	7'-0"	1 3/4"	ALUM.	C	ALUM.	4	D1	---	ALUM.				CLOSER, CARD READER
101B	3'-0"	7'-0"	1 3/4"	ALUM.	C	ALUM.	5	C1	---	---				CLOSER
103	3'-0"	7'-0"	1 3/4"	WOOD	A	WOOD	2	B1	A1	---				
104	3'-0"	7'-0"	1 3/4"	WOOD	A	WOOD	2	B1	A1	---				REPLACE HD WR & ALL WEATHERSEALING
106				EX	STING	DOOR	TO	RE	EM	ALIN				
107	3'-0"	7'-0"	1 3/4"	WOOD	A	WOOD	1	B1	A1	---				CLOSER, KICK PLATE
108	3'-0"	7'-0"	1 3/4"	WOOD	A	WOOD	1	B1	A1	---				CLOSER, KICK PLATE
110	3'-0"	7'-0"	1 3/4"	WOOD	A	WOOD	2	B1	A1	---				
111	3'-0"	7'-0"	1 3/4"	WOOD	A	WOOD	2	B1	A1	---				
112				EX	STING	DOOR	TO	RE	EM	ALIN				
113				EX	STING	DOOR	TO	RE	EM	ALIN				
114	3'-0"	7'-0"	1 3/4"	WOOD	A	STEEL	3	E2	D2	---				CLOSER
117	3'-0"	7'-0"	1 3/4"	WOOD	A	WOOD	2	B1	A1	---				CLOSER
118	3'-0"	7'-0"	1 3/4"	WOOD	B	TEMP	1	B1	A1	---				
119	3'-0"	7'-0"	1 3/4"	WOOD	A	WOOD	2	B1	A1	---				
120A	3'-0"	7'-0"	1 3/4"	WOOD	A	WOOD	2	B1	A1	---				
120B	3'-0"	7'-0"	1 3/4"	WOOD	A	WOOD	2	B1	A1	---				
121	3'-0"	7'-0"	1 3/4"	WOOD	A	WOOD	2	B1	A1	---				
122	3'-0"	7'-0"	1 3/4"	WOOD	A	WOOD	2	B1	A1	---				
123	3'-0"	7'-0"	1 3/4"	WOOD	A	WOOD	2	B1	A1	---				
124	3'-0"	7'-0"	1 3/4"	WOOD	A	WOOD	2	B1	A1	---				
125	3'-0"	7'-0"	1 3/4"	WOOD	A	WOOD	2	B1	A1	---				
128	3'-0"	7'-0"	1 3/4"	WOOD	A	WOOD	2	B1	A1	---				
129	3'-0"	7'-0"	1 3/4"	WOOD	A	WOOD	2	B1	A1	---				
130	3'-0"	7'-0"	1 3/4"	WOOD	A	WOOD	2	B1	A1	---				
131	3'-0"	7'-0"	1 3/4"	WOOD	A	WOOD	2	B1	A1	---				
132	3'-0"	7'-0"	1 3/4"	WOOD	A	WOOD	2	B1	A1	---				



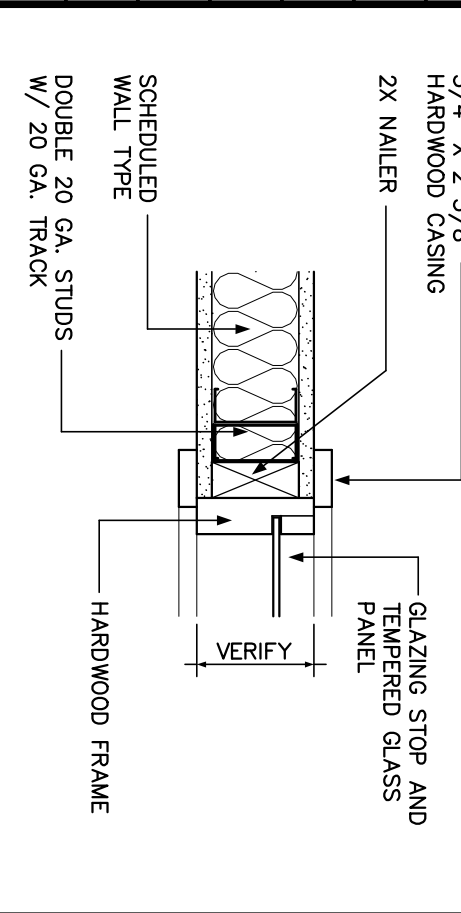
STEEL FRAME HEAD
1 1/2" = 1'-0"



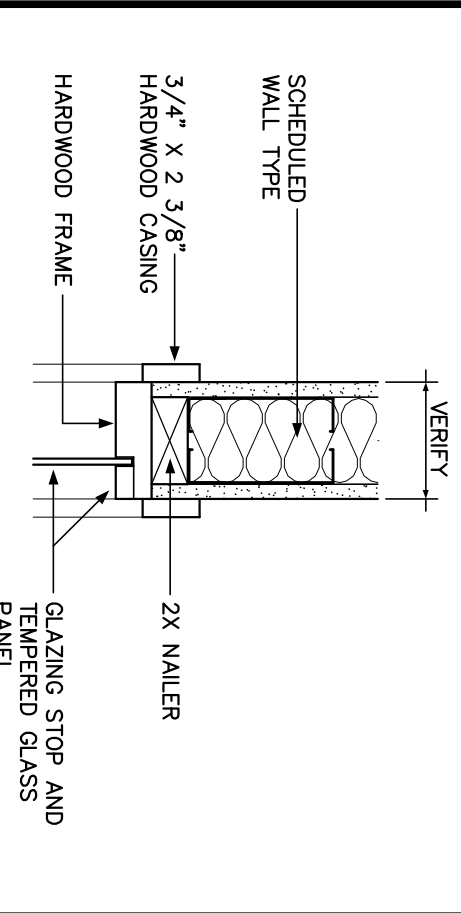
ALUMINUM FRAME DTL
1 1/2" = 1'-0"



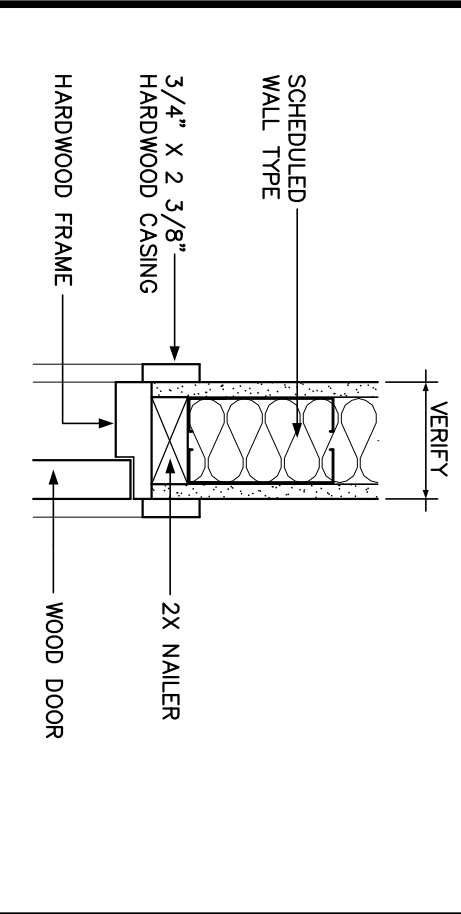
STEEL FRAME JAMB
1 1/2" = 1'-0"



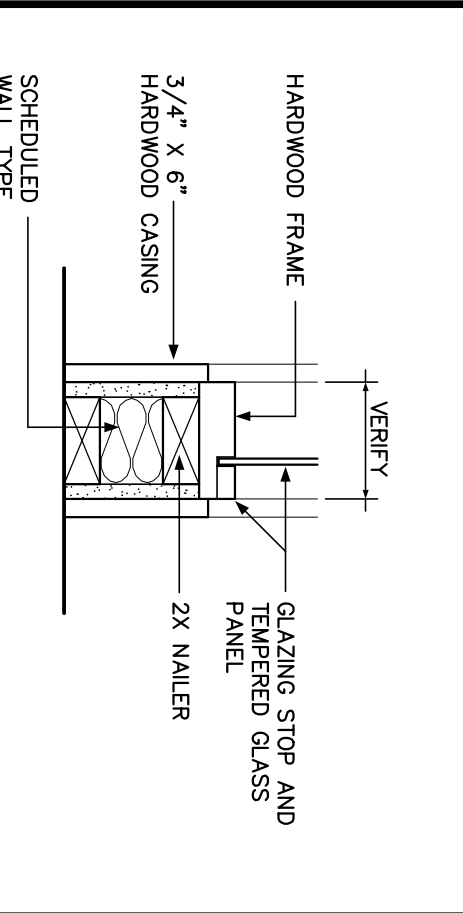
WOOD FRAME JAMB
1 1/2" = 1'-0"



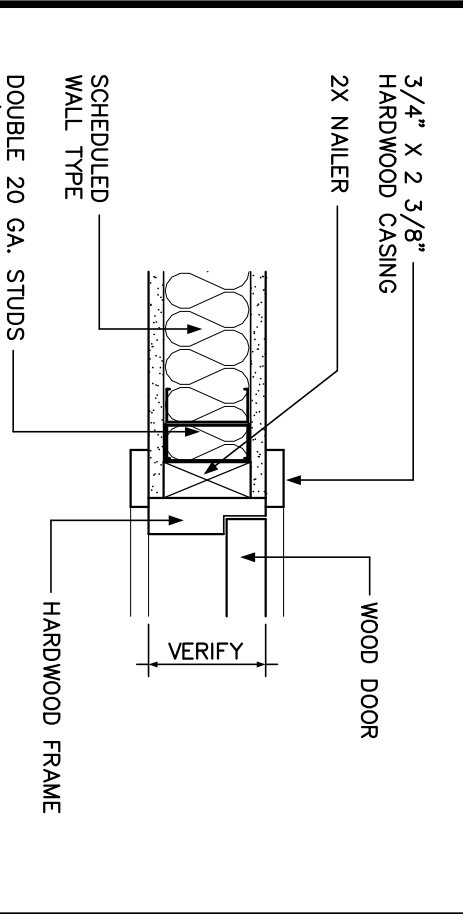
WOOD FRAME HEAD
1 1/2" = 1'-0"



WOOD FRAME HEAD
1 1/2" = 1'-0"

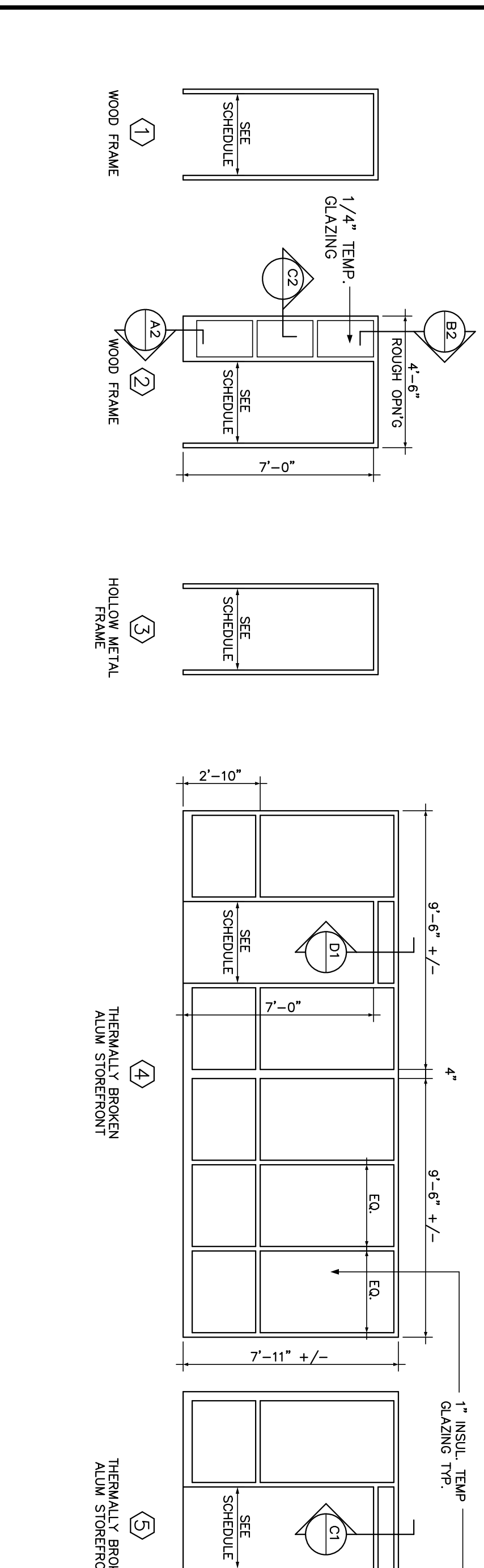


WOOD FRAME SILL
1 1/2" = 1'-0"



WOOD FRAME JAMB
1 1/2" = 1'-0"

DOOR TYPES	FRAME TYPES
1/4" = 1'-0"	1/4" = 1'-0"
B3	A3
B2	A2
B1	A1



ROBERT J. FOSTER ARCHITECT
36 Groveside Road, Portland, Maine 04102
(207) 761-3822



Project Title
CROSS INSURANCE RENOVATIONS
2367 CONGRESS STREET
PORTLAND, MAINE

Issue Dates

Mark	Description
01 - 29 - 18	CONSTRUCTION DRAWINGS

Drawing Title
DOOR SCHEDULE AND DETAILS

Drawing Number
A60.1