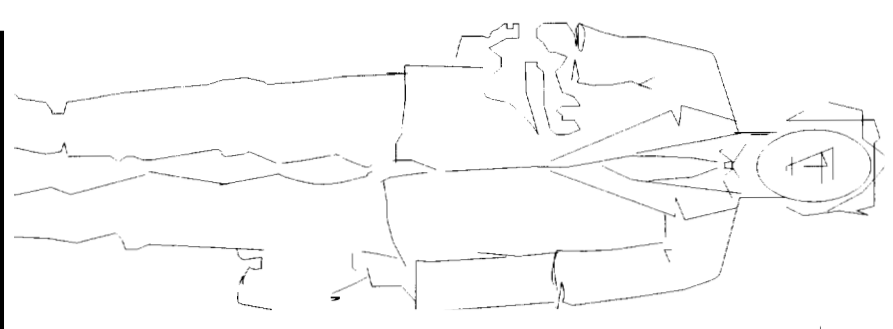




PLAN VIEW



**SIGN A**—DOUBLE-FACE INT. ILLUM. GROUND SIGN  
SCALE: 3/4"=1'-0" (1) REQUIRED



**Neokraft**

Neokraft Signs Inc.  
686 Main Street  
Lewiston, Maine 04240  
Telephone: 207.782.9654  
Facsimile: 207.782.0009  
1.800.339.2258  
<http://www.neokraft.com>  
Cantow Sign Fabrication

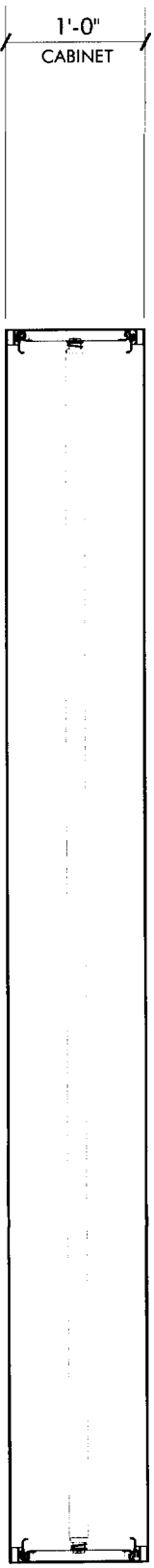
Except for designs supplied by the client, all ideas, plans or arrangements indicated on this drawing are copyrighted and owned by Neokraft Signs Inc. and shall not be reproduced, used by or disclosed to any person, firm or corporation without written permission of Neokraft Signs Inc.

**Spring Harbor  
Hospital 01432**

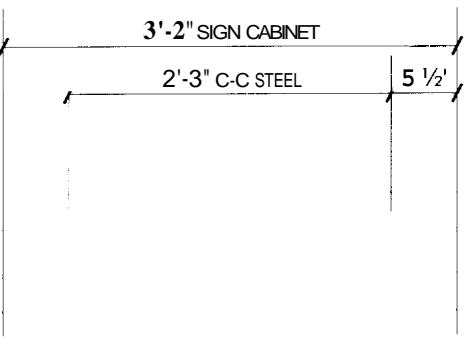
**FINAL APPROVED DESIGN**

Location:	123 Andover Road Portland, ME
Drawing No.:	1 of 6
Drawn by:	DS
Date:	01.16.2004

- 120V ELECTRICAL FEED BY OWNER
- PHOTOCELL REQUIRED
- SIGNCOMP SERIES 12 CABINET, BLEED RETAINERS, 1/8" ALUMINUM FACES, ROUTED, PAINT TO MATCH PANTONE 561 GREEN
- PUSH-THRU PROJECTING ACRYLIC LOGO; SEE DWG. 4
- PUSH-THRU FLUSH ACRYLIC TEXT; SEE DWG. 4
- PUSH-THRU FLUSH ACRYLIC ARROWS, SIMILAR TO LOGO, NEAR PANTONE 574
- SIGN MOUNTS WITH BOLTS TO STRAPS WITHIN STEEL SQUARE TUBE ARMS; SEE DWG. 3



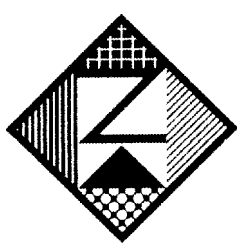
PLAN VIEW



9'-0 1/2" SIGN CABINET

NON-LIGHTED VINYL COPY

- 120V ELECTRICAL FEED BY OWNER
- PHOTOCELL REQUIRED
- GC TO VERIFY END OF SIGN TO RECEIVE ELECTRICAL
- SAW FAB. AS SIGN 9' EXCEPT: NO COPY ON OPPOSIT SIDE METAL BACK
- INCLUDE GSP WHITE [220-10] VINYL SIGNATURE COPY AS INDICATED



Neokraft

Neokraft Signs Inc.  
 686 Main Street  
 Lewiston, Maine 04240  
 Telephone: 207.782.9654  
 Facsimile: 207.782.0009  
 1.800.339.2258  
<http://www.neokraft.com>

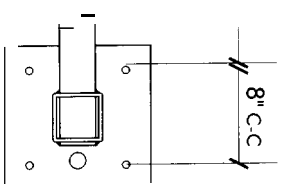
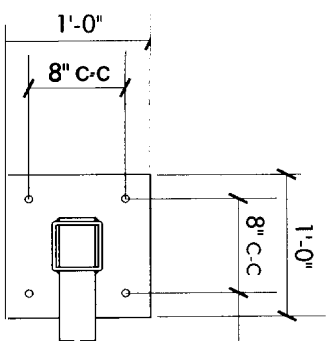
Except for designs supplied by the client, all ideas, plans or arrangements indicated on this drawing are copyrighted and owned by Neokraft Signs Inc. and shall not be reproduced, used by or disclosed to any person, firm or corporation without written permission of Neokraft Signs Inc.

**Spring Harbor  
 Hospital 01432**

**FINAL APPROVED DESIGN**

Location:	123 Andover Road Portland, ME
Drawing No.:	2 of 6
Drawn by:	DS
Date:	01.16.2004
Gen Ref.:	

**SIGN B—SINGLE-FACE INT. ILLUM. GROUND SIGN**  
**SCALE: 3/4" = 1'-0" (1) REQUIRED**



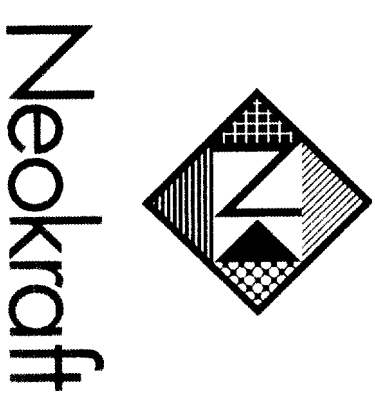
(4) HOLES PER PLATE FOR 1/2" BOLTS, (1) SQR HOLE PER PLATE FOR LET-IN SUPPORT POST  
ADD (1) HOLE PER PLATE FOR ELECTRICAL SWEEP TO (1) PLATE PER SIGN

**FOR SIGNS A & B—STEEL SUPPORT STRUCTURES**  
**SCALE: 3/4" = 1'-0"** **FOR (2) SIGNS**

10'-4 1/2" C-C CRITICAL  
9'-0 3/4" BETWEEN STEEL

**BASE INSTALLATION BY OTHERS: GC SHOULD NOTE CRITICAL CENTER TO CENTER PLACEMENTS AS DIMENSIONED, PLUMB, LEVEL AND IN-LINE**

Neokraft Signs Inc.  
686 Main Street  
Lewiston, Maine 04240  
Telephone: 207.782.9654  
Facsimile: 207.782.0009  
1.800.339.2258  
<http://www.neokraft.com>



**Neokraft**

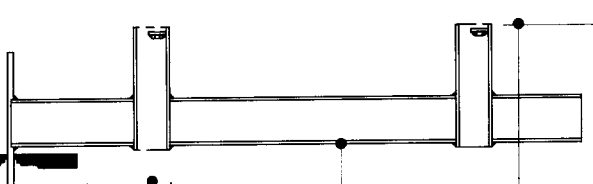
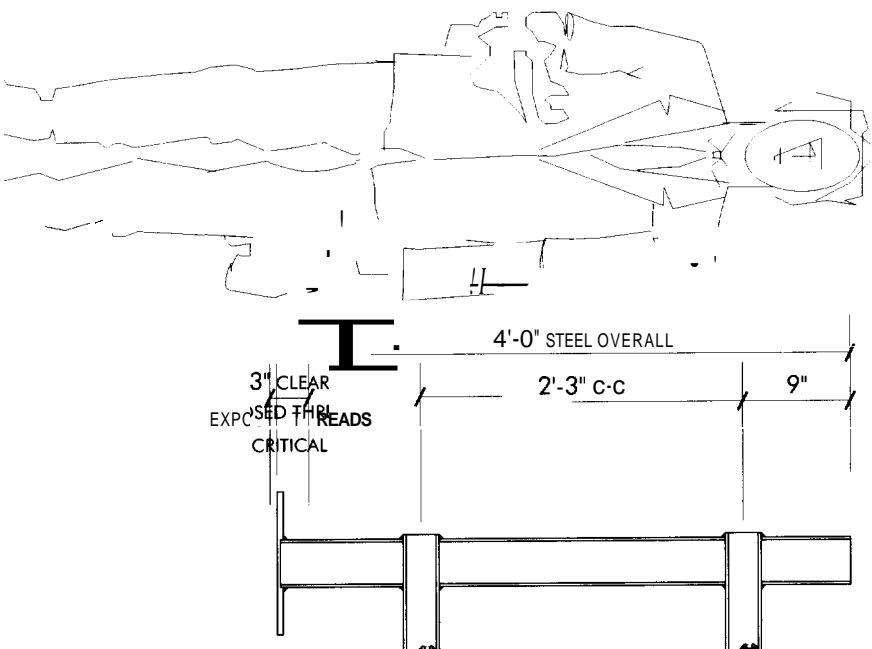
Custom Sign Fabrication

Except for designs supplied by the client, all ideas, plans or arrangements indicated on this drawing are copyrighted and owned by Neokraft Signs Inc. and shall not be reproduced, used by or disclosed to any person, firm or corporation without written permission of Neokraft Signs Inc.

**Spring Harbor  
Hospital 01432**

**FINAL APPROVED DESIGN**

Location: 123 Andover Road  
Portland, ME  
Drawing No.: 3 of 6  
Drawn by: DS  
Date: 01.16.2004  
Gean sllw

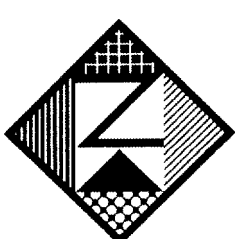


3'-2" x 9'-0 1/2" SIGNS TO BE INSTALLED LATER BY NEOKRAFT  
4" SQR STL POST, 3" SQR STL ARMS LET-THRU, WITH WELDED NUTS ON STRAPS FOR SIGN ATTACHMENT, 1/2" x 12" SQR STL PLATE  
POLE COVERS BY OWNER; OWNER'S DESIGN TO PROVIDE ACCESS TO ELECTRICAL CONNECTION LOCATION NEAR TOP OF ELECTRICAL SWEEPS

PIERS/BASES BY OWNER  
BRACED CAGES AS PROVIDED PREVIOUSLY; INCLUDING 1/2" STEEL THREADED RODS

120V ELECTRICAL SWEEP BY GC, AT ONE END OF EACH SIGN; GC TO VERIFY END OF SINGLE-FACE SIGNS TO RECEIVE ELECTRICAL

**SECTION—SIGNS A & B**



# Neokraft

Neokraft Signs Inc.  
686 Main Street  
Lewiston, Maine 04240  
Telephone: 207.782.9654  
Facsimile: 207.782.0009  
1.800.339.2258  
<http://www.neokraft.com>  
Custom Sign Fabrication

Except for designs supplied by the client, all ideas, plans or arrangements indicated on this drawing are copyrighted and owned by Neokraft Signs Inc. and shall not be reproduced, used by or disclosed to any person, firm or corporation without written permission of Neokraft Signs Inc.

**Spring Harbor  
Hospital 01432**

**FINAL APPROVED DESIGN**

Location: 123 Andover Road  
Portland, ME  
Drawing No.: 4 of 6  
Drawn by: DS  
Date: 01.16.2004  
Gen Ref: \_\_\_\_\_

1/8" ALUMINUM FACE, ROUTED, PAINT TO MATCH  
PANTONE 561 GREEN

1/2" THICK CLEAR ACRYLIC LOGO, PUSH-THRU WITH  
1/4" PROJECTION, BACKED GSP WHITE TRANSL  
[230-10] VINYL

FRONT WITH 2-LAYER DURACHROME-PRINTED  
WHITE/CLEAR VINYL GRADIENT LEAF GRAPHIC;  
USE DC SPOT HOT GREEN, GREEN AND/OR  
PROCESS TO MATCH NEAR PANTONE 37.4 TO 561  
VERIFY VINYL LAYERING PER SAMPLE IN  
PRODUCTION

1/2" THICK WHITE ACRYLIC TEXT, PUSH-THRU GLUSH



## SECTION

TYPICAL FACE DETAILS  
NO SCALE