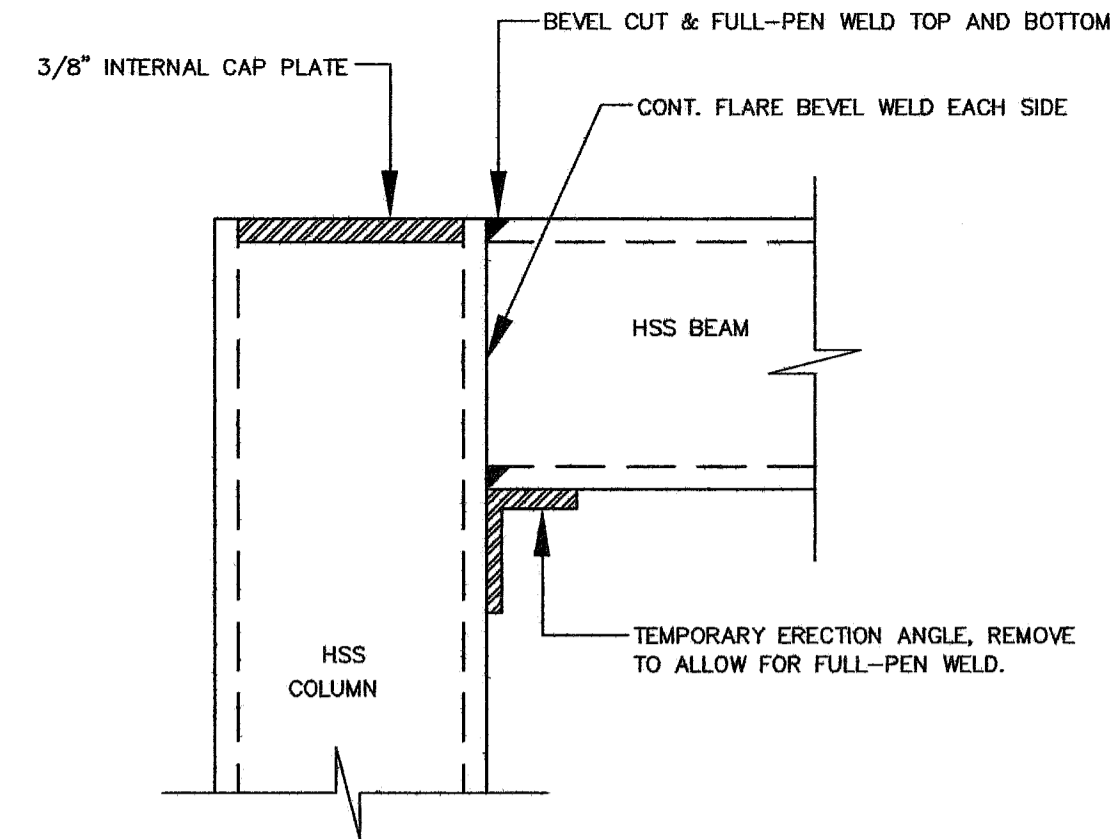
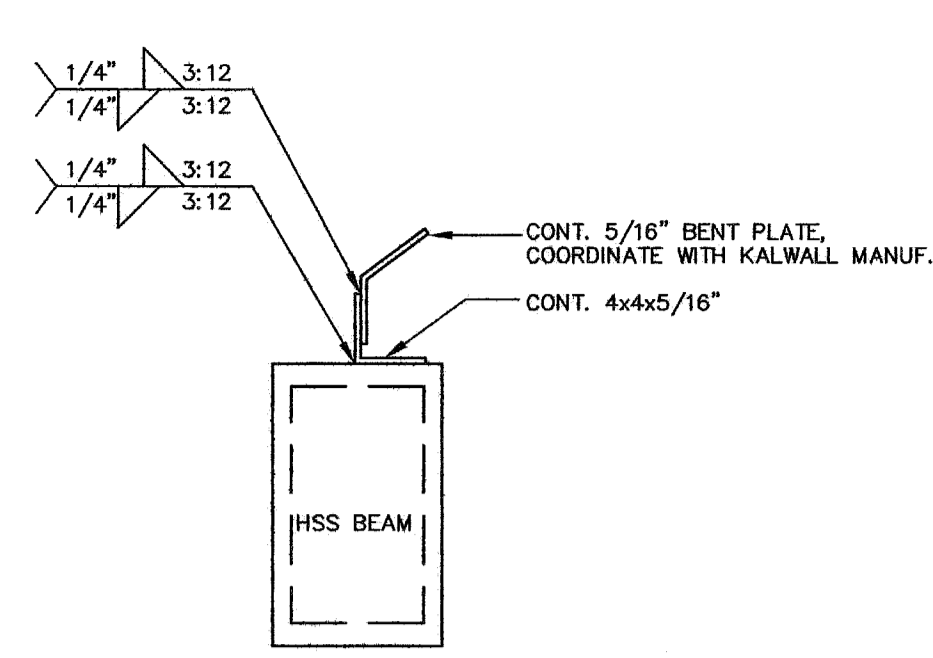


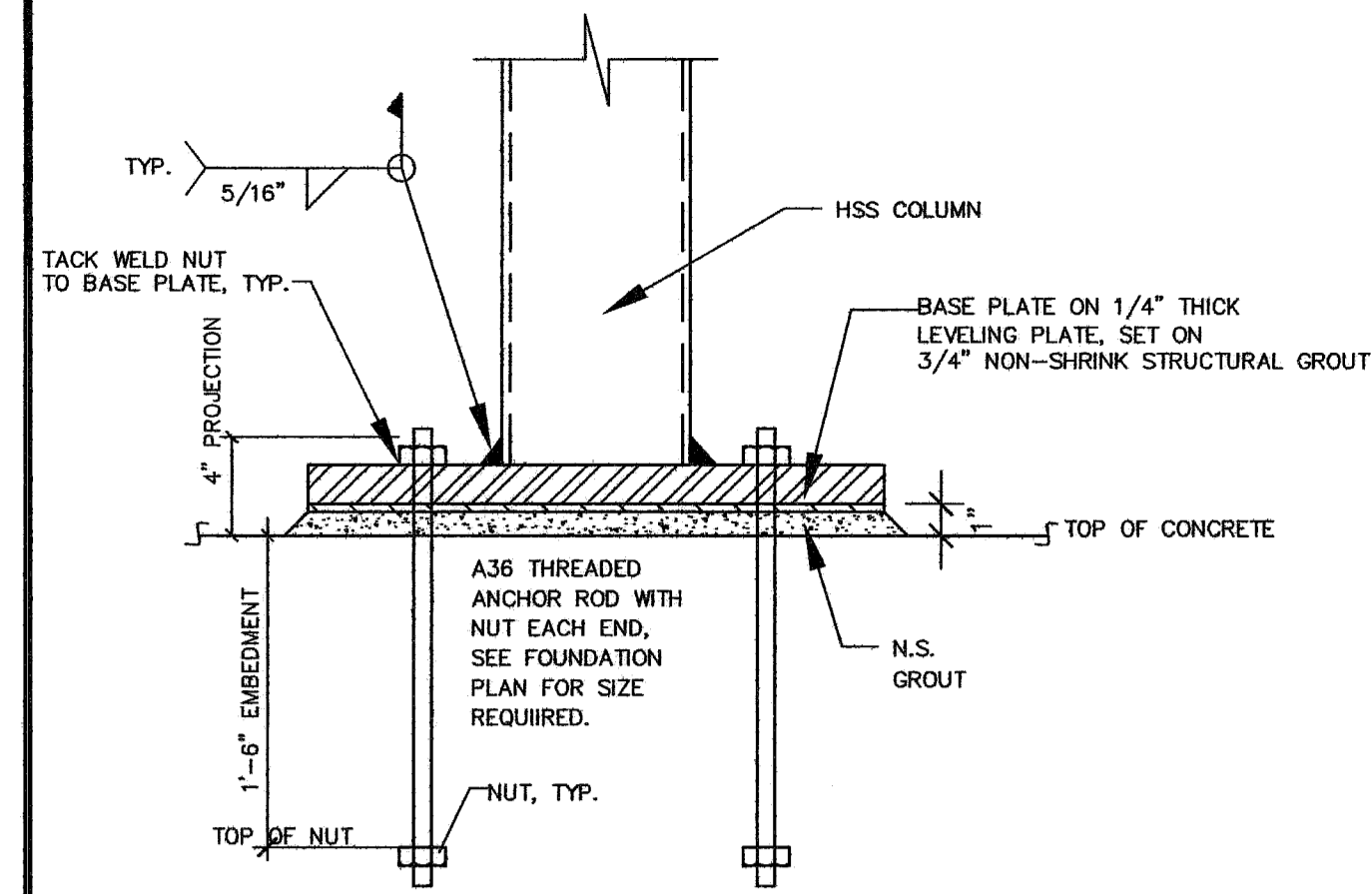
TYP. 36/4 ROOF DECK ATTACHMENT DETAIL
N.T.S.



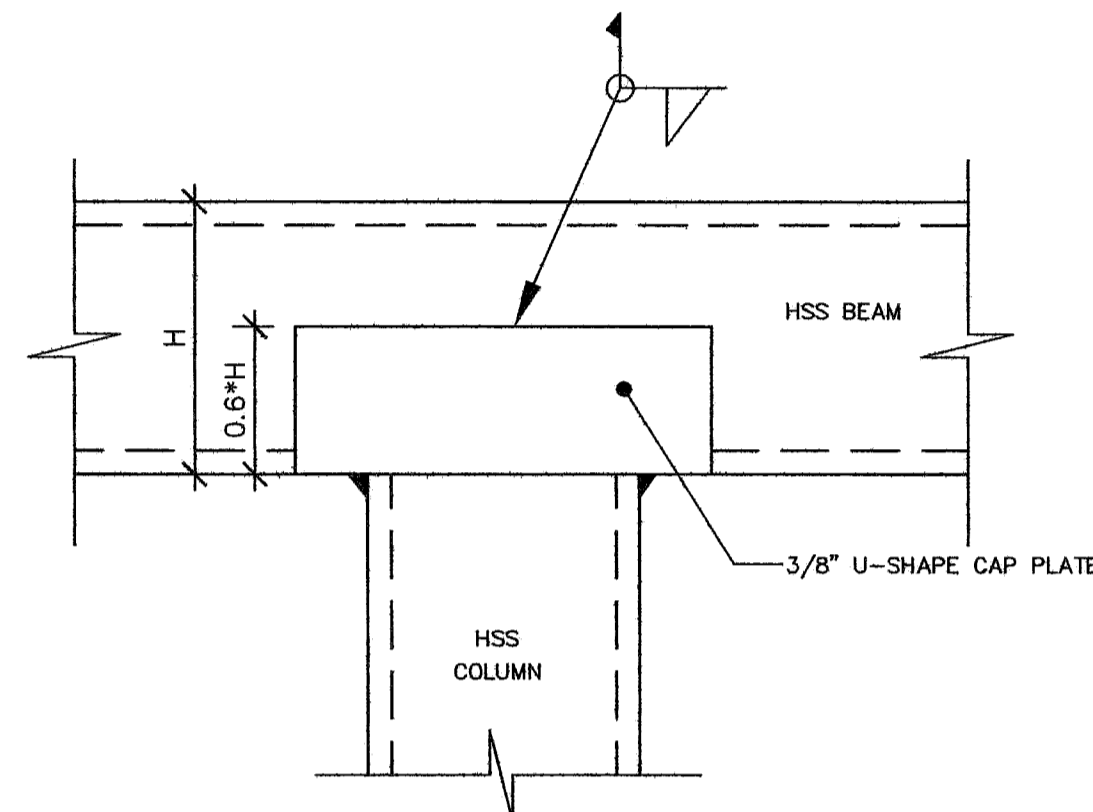
TYP. HSS MOMENT CONNECTION DETAIL
N.T.S.



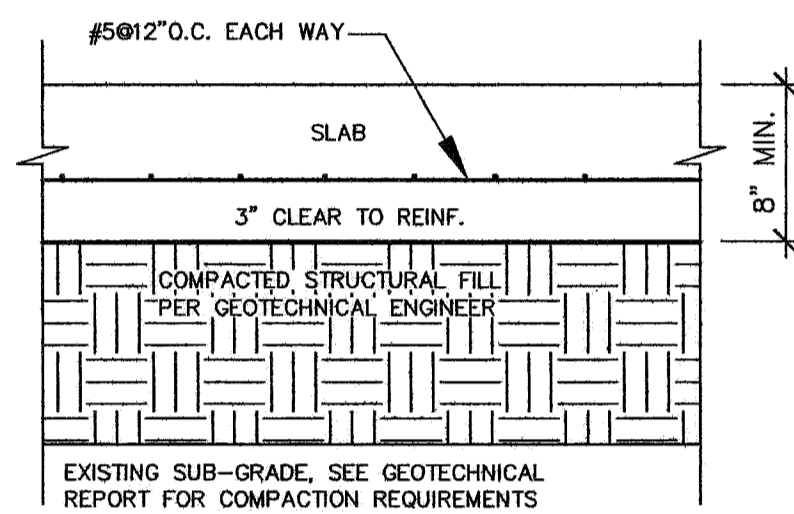
TYP. KALWALL SUPPORT
N.T.S.



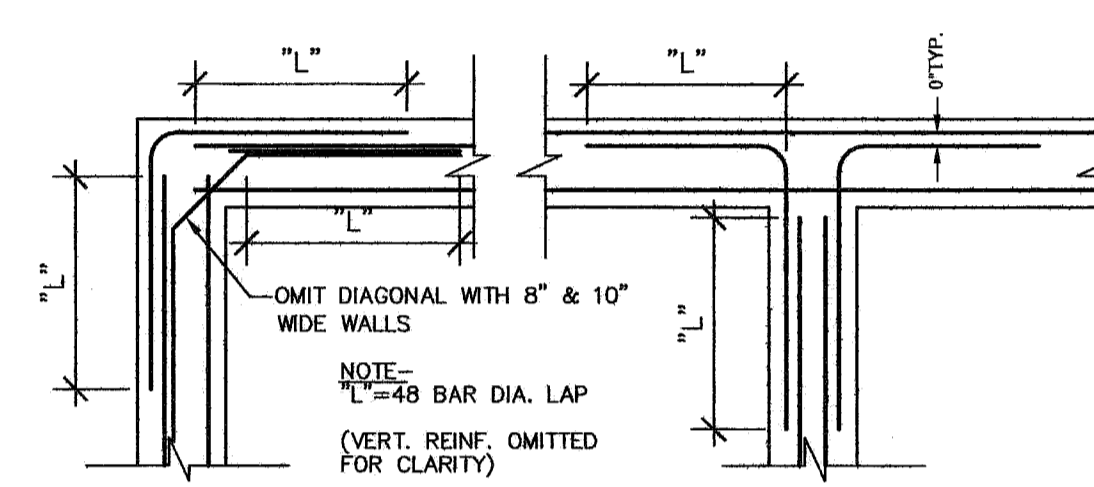
TYPICAL COLUMN BASE DETAIL
N.T.S.



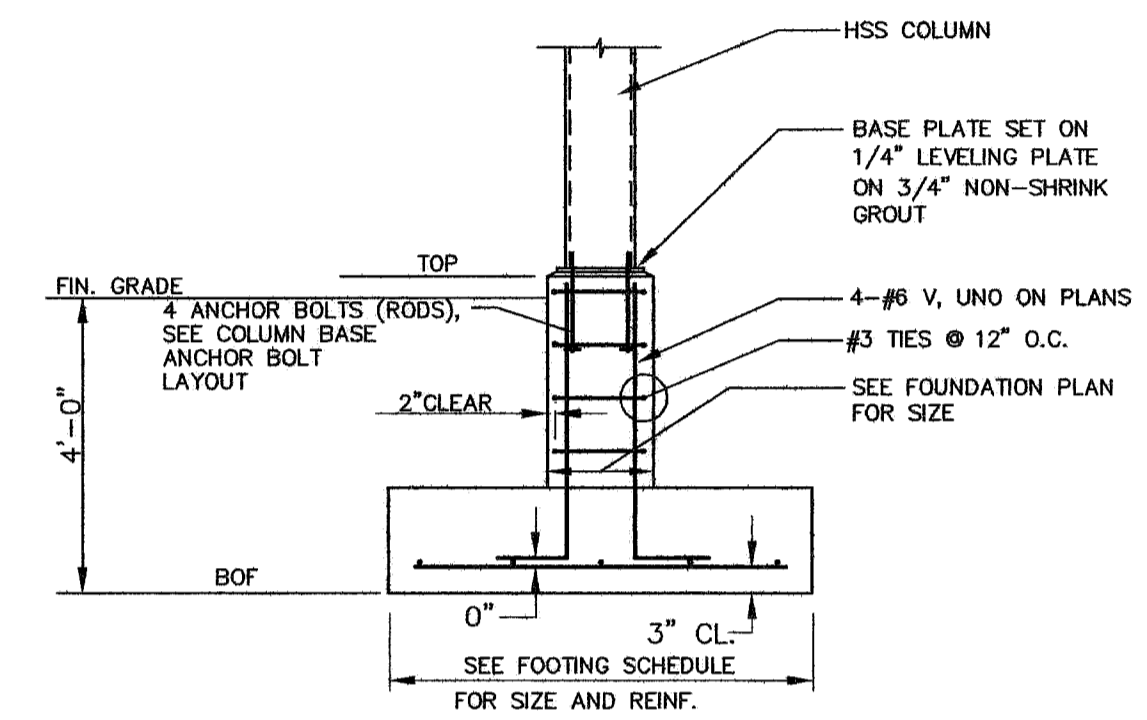
TYP. HSS BEAM-OVER-COLUMN
N.T.S.



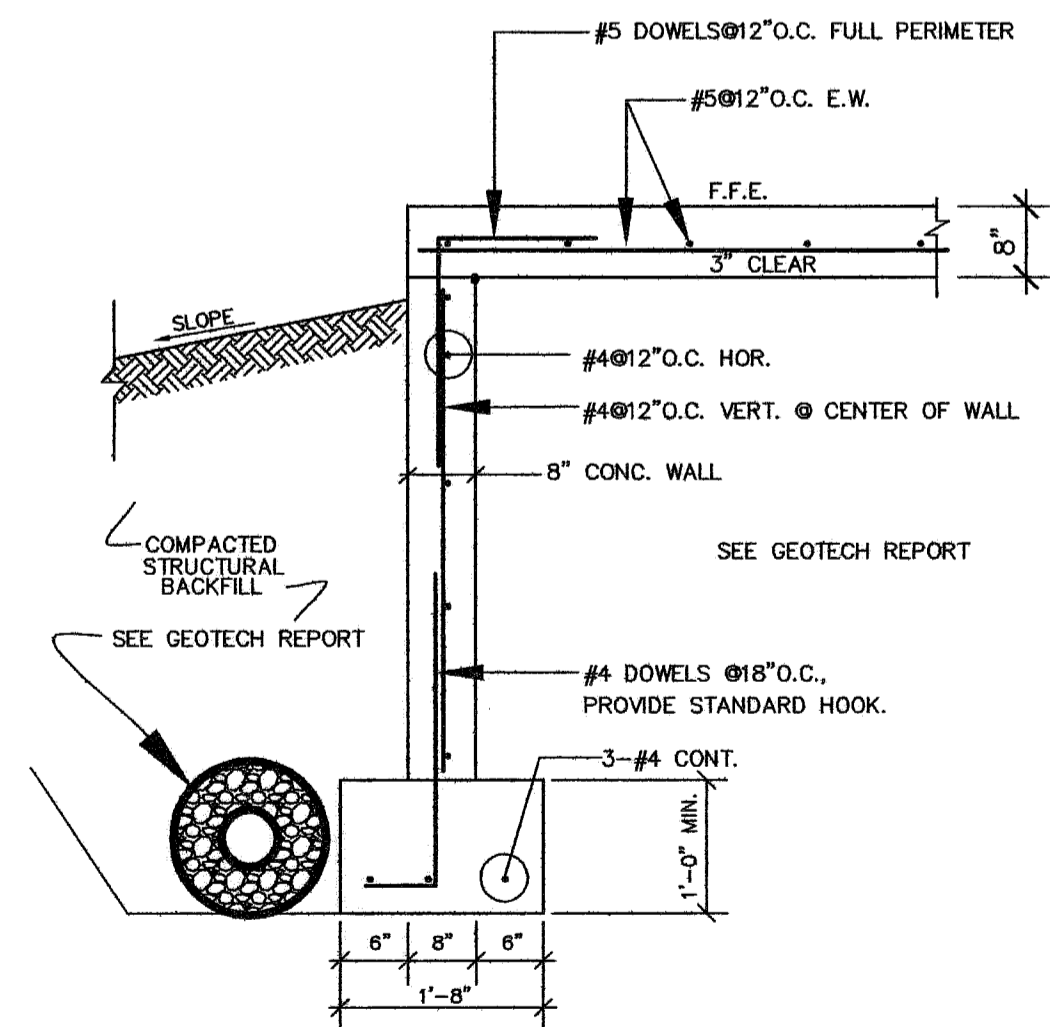
SEE SHEET S1
SLAB DETAIL
N.T.S.



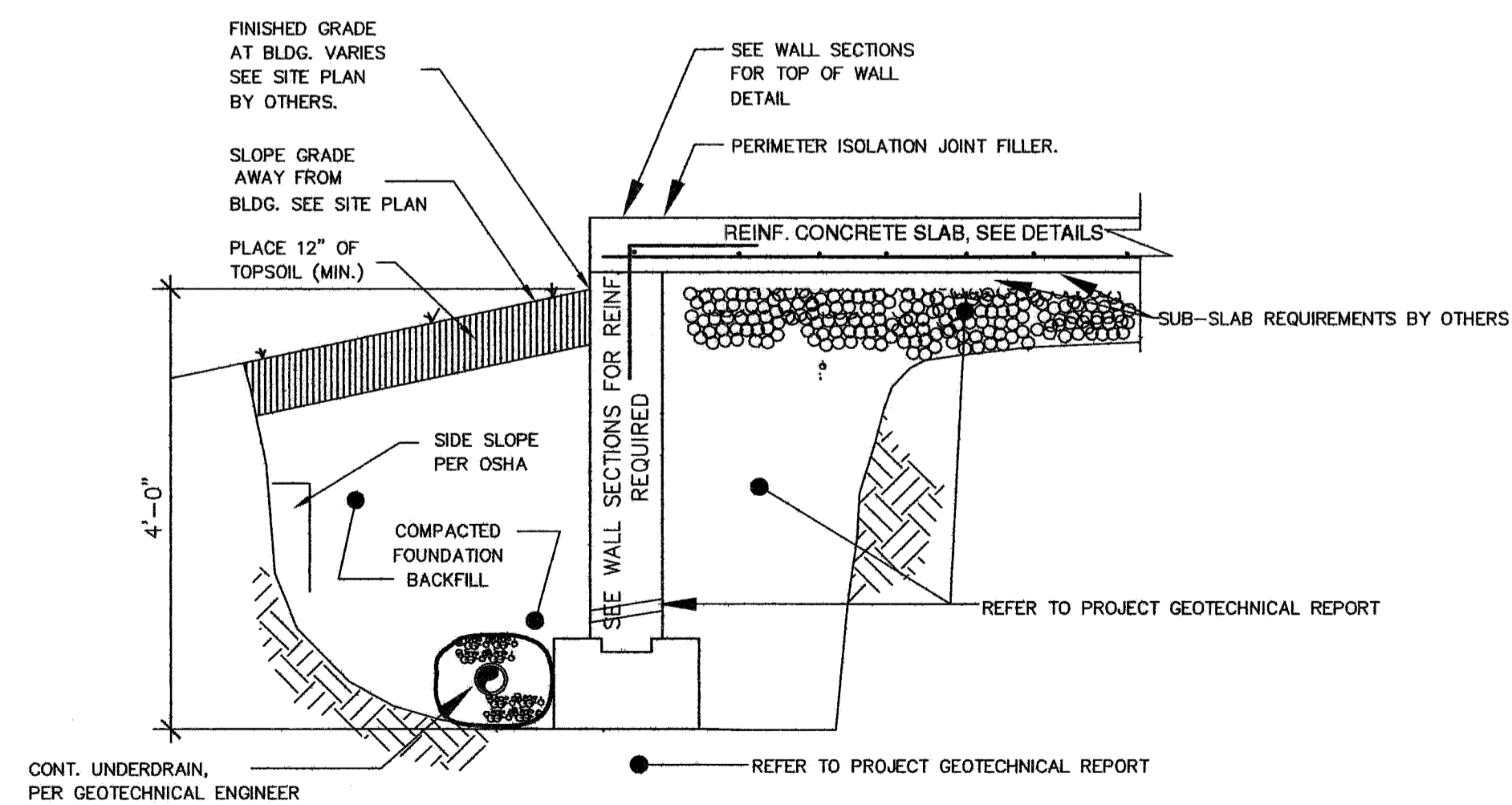
CORNER REINFORCING DETAIL
N.T.S.



TYPICAL PIER DETAIL
N.T.S.



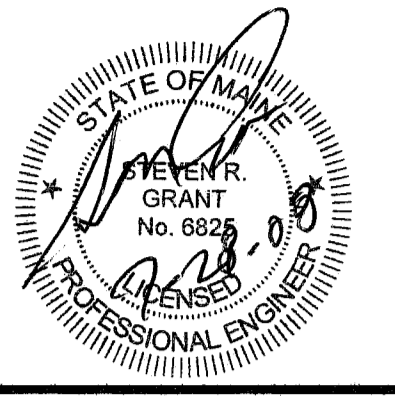
TYPICAL 8" FROST WALL DETAIL
N.T.S.



TYPICAL EARTHWORK DETAIL
N.T.S.

ROBERT J. FOSTER - ARCHITECT

36 Groveside Road, Portland, Maine 04102
(207) 761-3822



Project Title

CROSS INSURANCE CANOPY REPLACEMENT

Portland, Maine

By File

Mark	Date	Description

Issue Date:
7.28.2008: FOR CONSTRUCTION

SRG ENGINEERING, INC.
STRUCTURAL ENGINEERS
P.O. BOX 925
GRAY, ME 04039
TEL: (207) 657-7323
FAX: (207) 657-7342

Drawing Title

TYPICAL DETAILS

Drawing Number

S2.0