

Project Title

**CROSS INSURANCE  
 CANOPY  
 REPLACEMENT**

Portland, Maine

NOTES:

- ALL STEEL TO BE PREPRIMED AND PAINTED IN THE FIELD.
- ALL STEEL TUBES WITH EXPOSED ENDS SHALL HAVE STEEL END CAPS — GROUND SMOOTH AND PAINTED TO MATCH.

07-21-08	CONSTRUCTION DRAWINGS
----------	-----------------------

05-22-08	BID DRAWINGS
----------	--------------

Mark	Date	Description
------	------	-------------

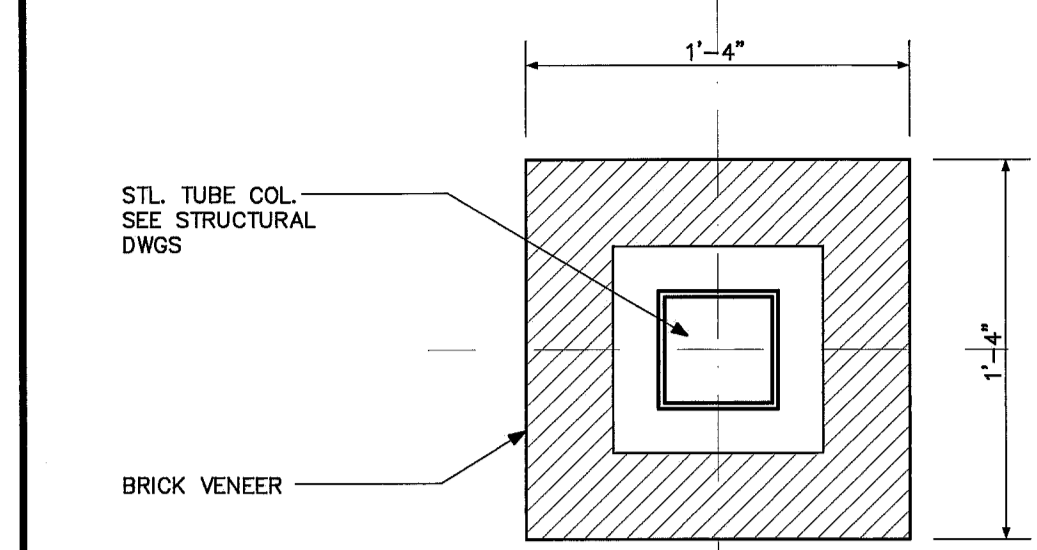
Issue Dates

Drawing Title

**EXTERIOR DETAILS**

Drawing Number

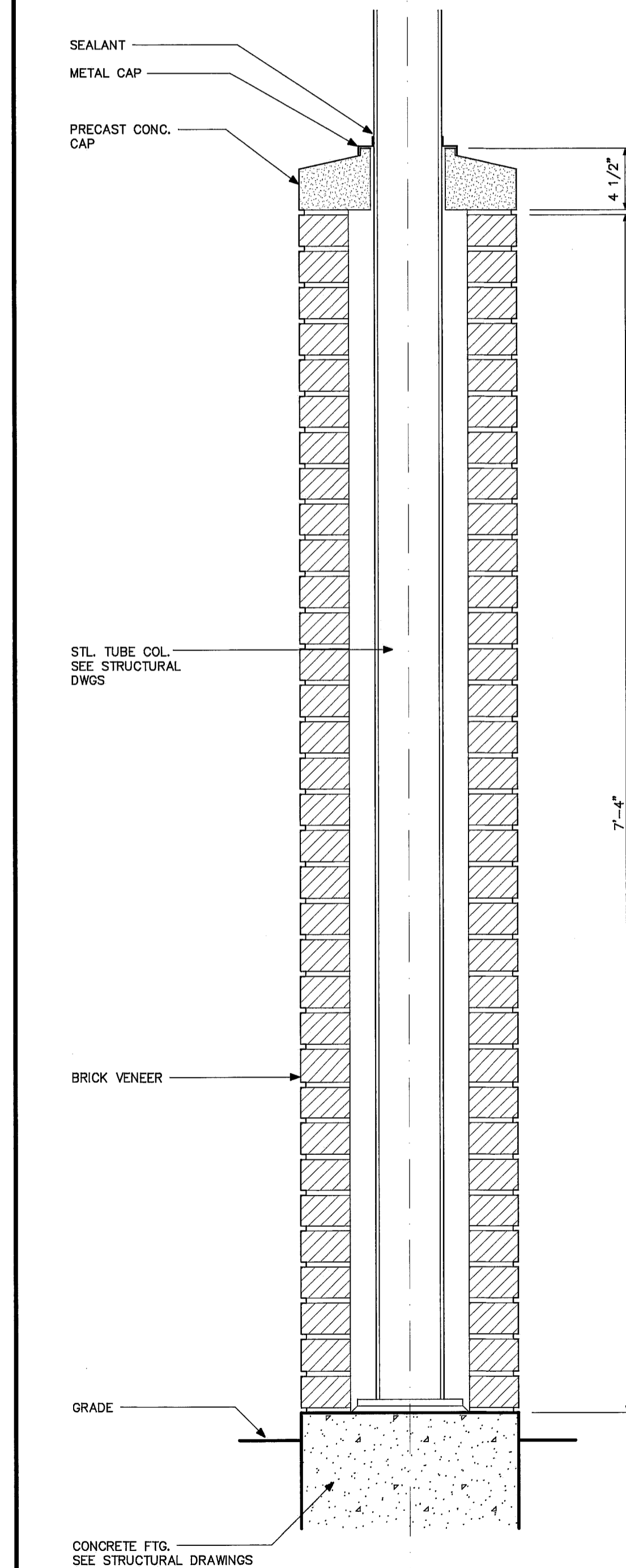
**A10.3**



**EXTERIOR DETAIL**

1 1/2" = 1'-0"

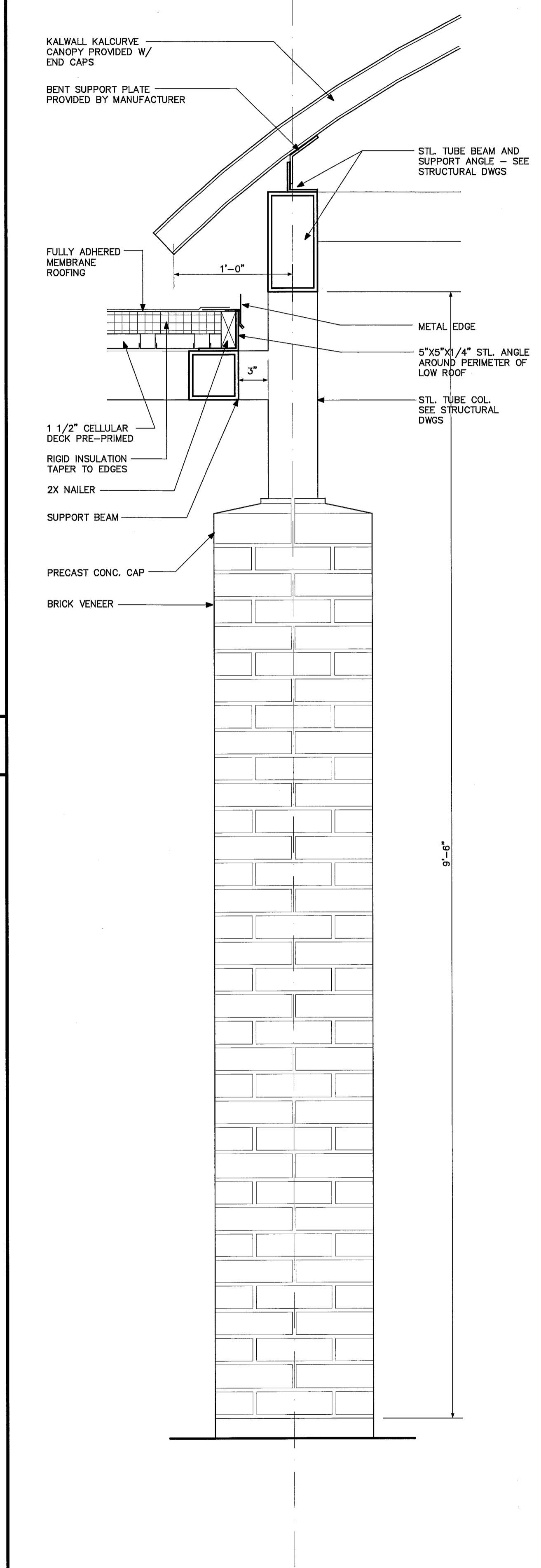
**B1**



**EXTERIOR DETAIL**

1 1/2" = 1'-0"

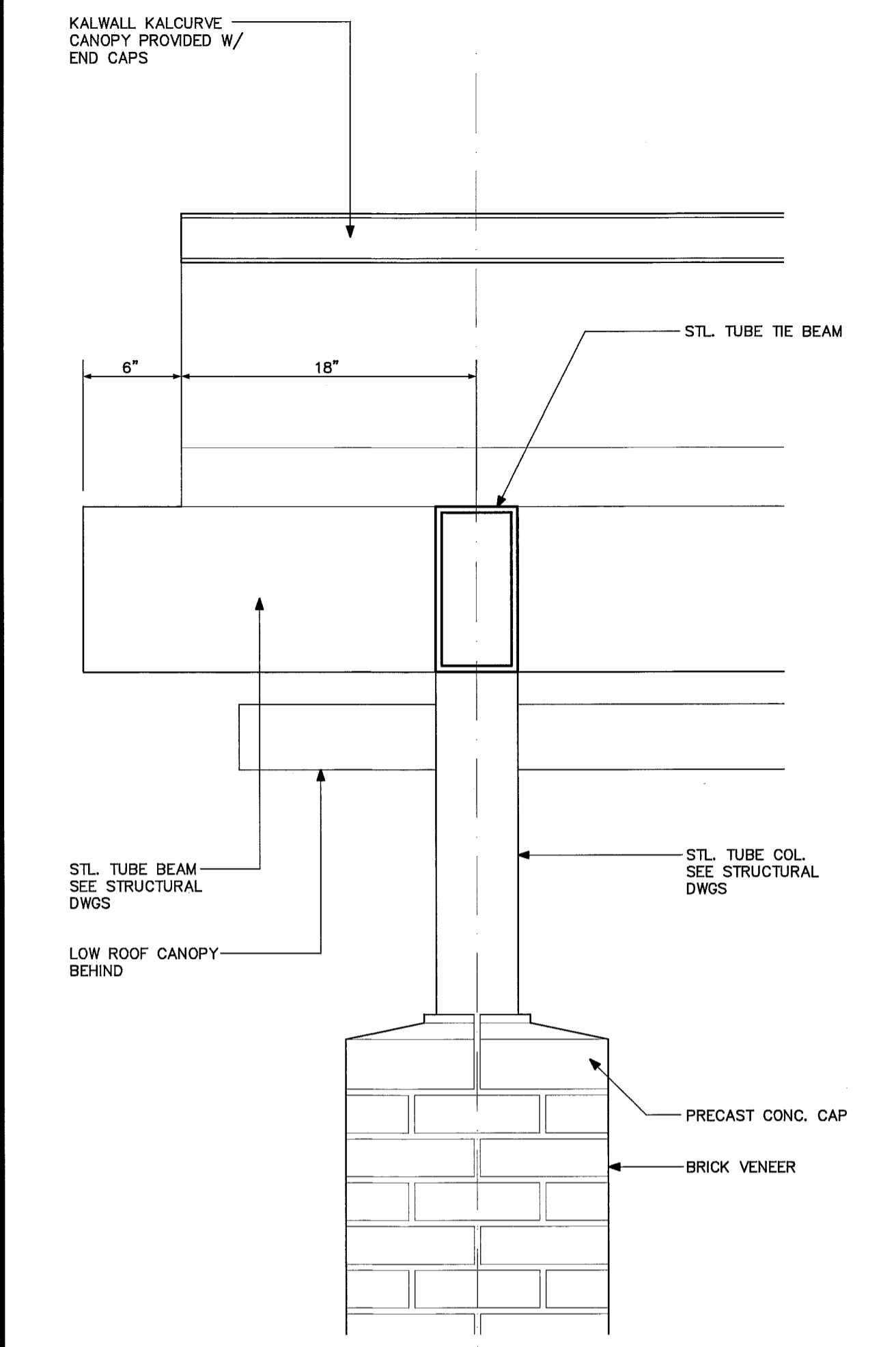
**A1**



**EXTERIOR DETAIL**

1 1/2" = 1'-0"

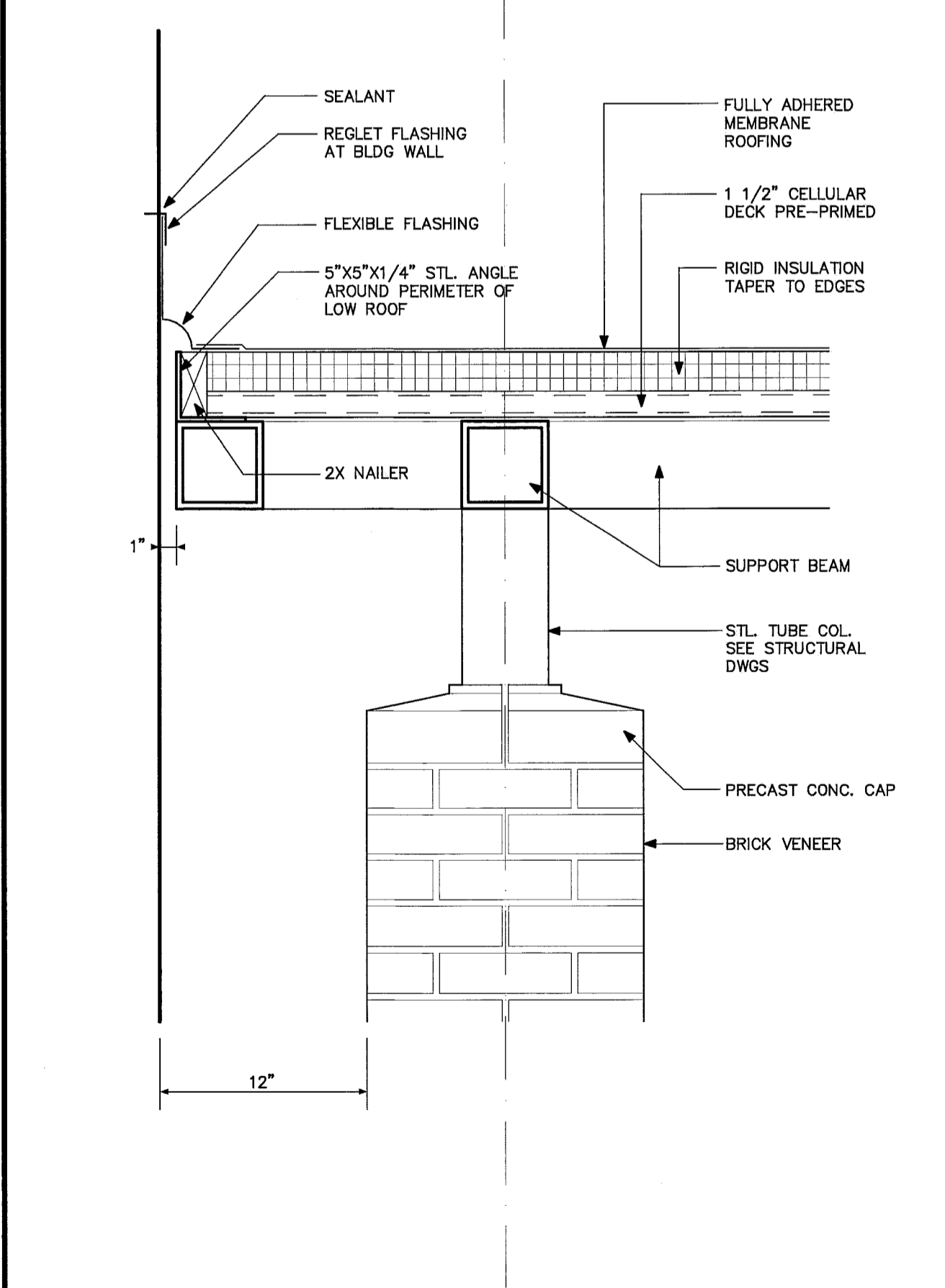
**A2**



**EXTERIOR DETAIL**

1 1/2" = 1'-0"

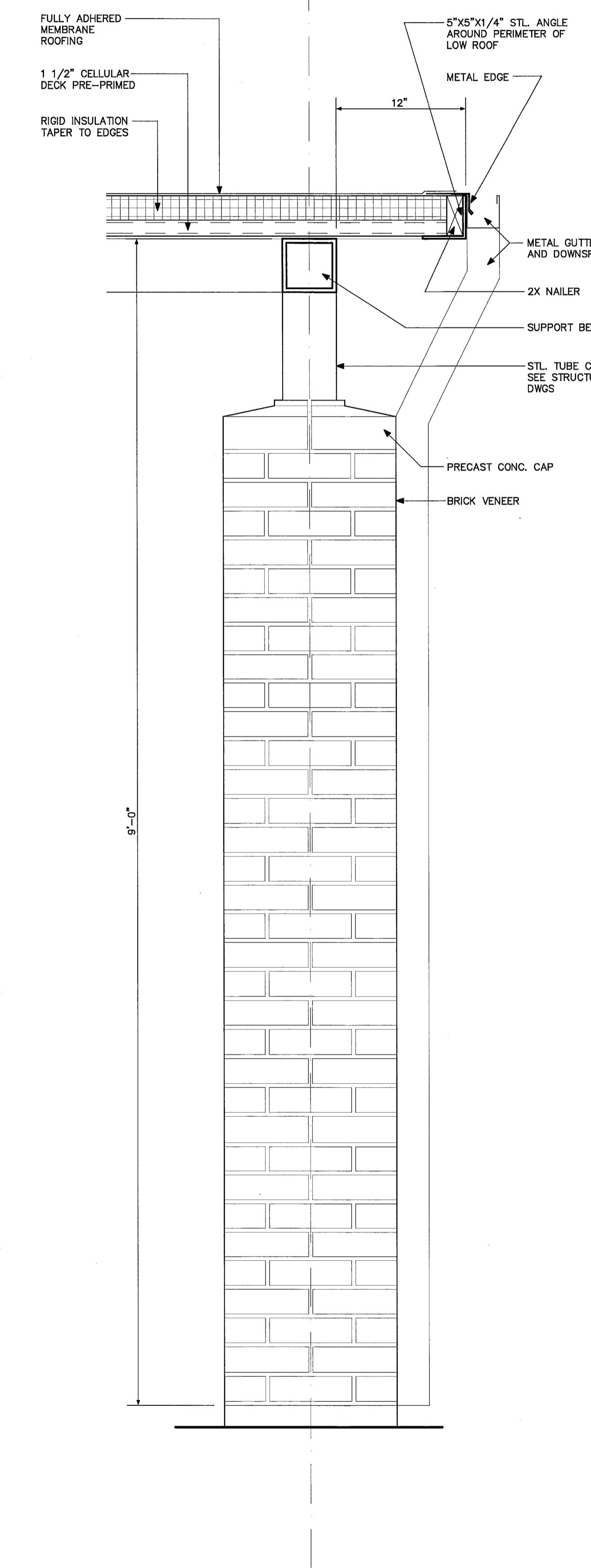
**B3**



**EXTERIOR DETAIL**

1 1/2" = 1'-0"

**A3**



**EXTERIOR DETAIL**

1 1/2" = 1'-0"

**A4**

**EXTERIOR DETAIL**  
1 1/2" = 1'-0"