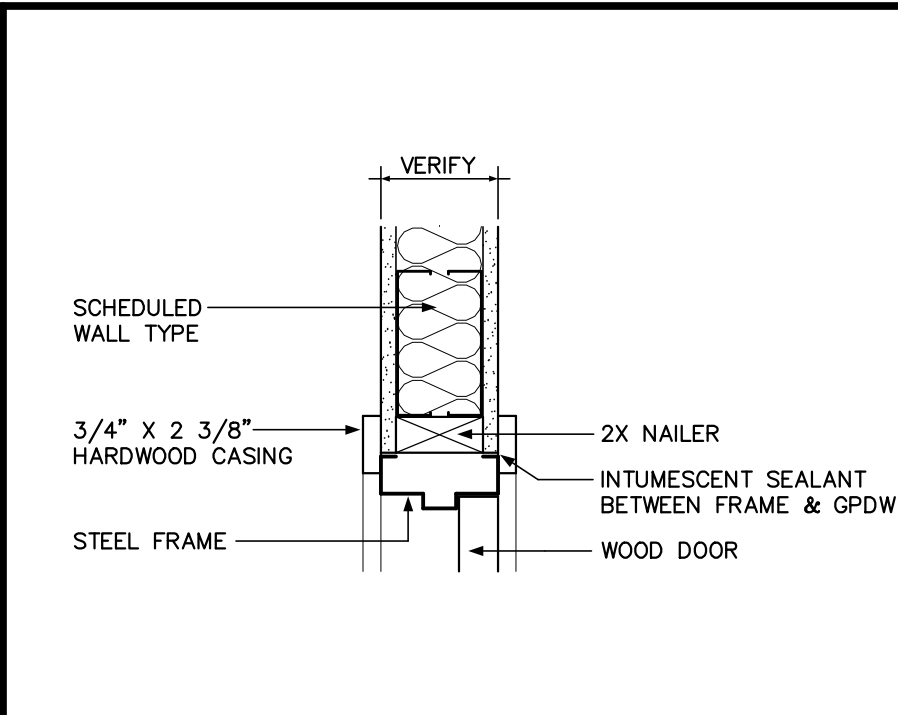
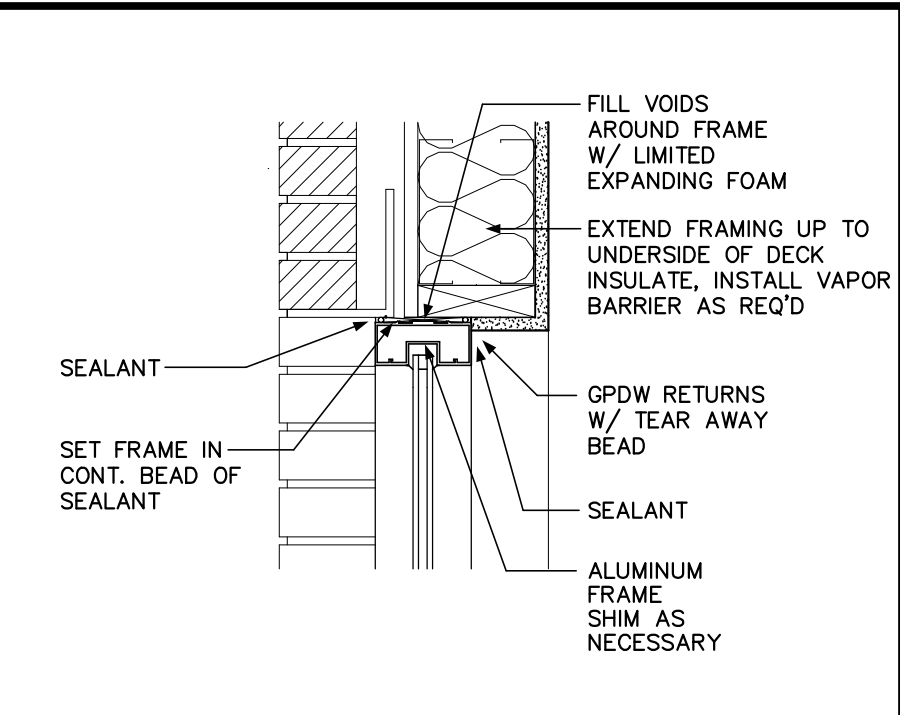


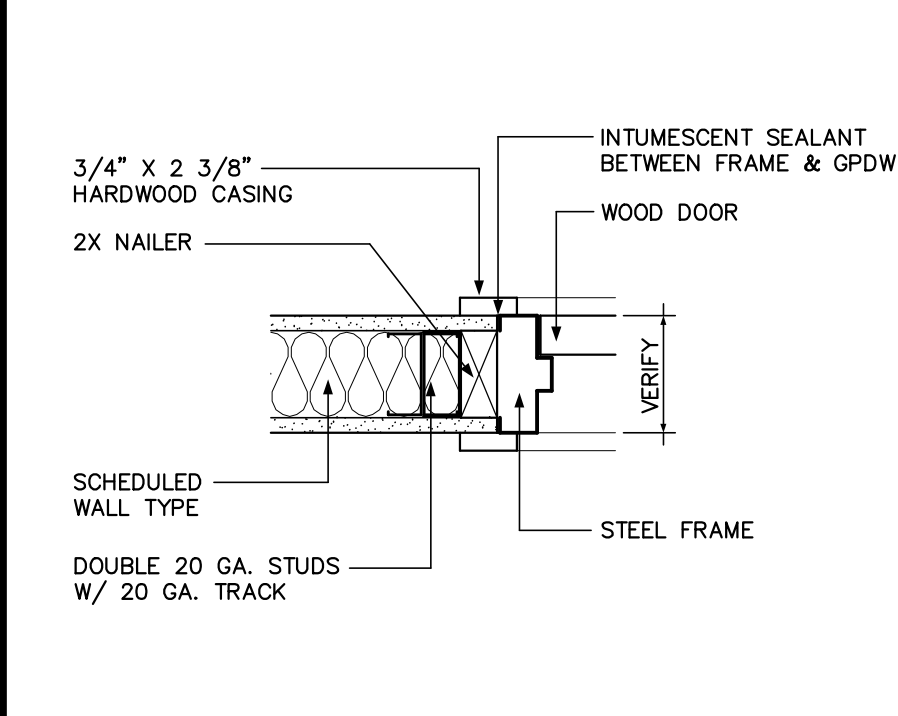
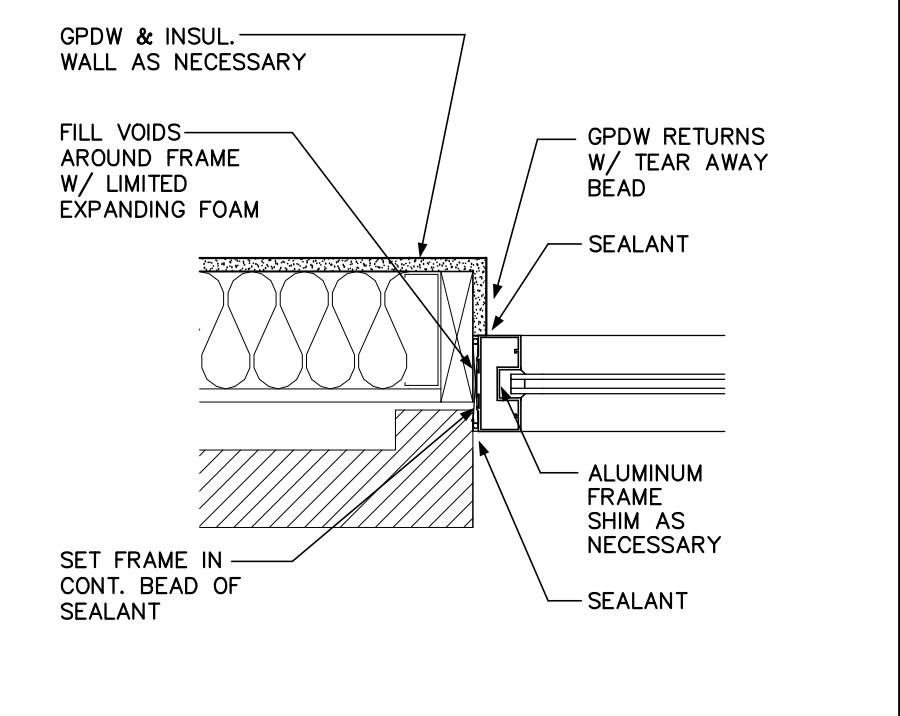
DOOR AND FRAME SCHEDULE

NO.	DOOR							FRAME						FIRE RATING	REMARKS
	SIZE			MAT	TYPE	GLASS	LOUVER		MAT	TYPE	DETAILS				
	WIDTH	HEIGHT	THICK.				WIDTH	HEIGHT			HEAD	JAMB	SILL		
102	3'-0"	7'-0"	1 3/4"	WOOD	A	---	---	---	STEEL	3	E1	D1	---	1 HOUR	CLOSER, ELECTRONIC HOLD OPEN
103	3'-0"	7'-0"	1 3/4"	WOOD	B	---	---	---	WOOD	4	B1	D1	---		CLOSER, ELECTRONIC HOLD OPEN
105	3'-0"	7'-0"	1 3/4"	WOOD	A	---	---	---	WOOD	2	B1	A1	---		
106	3'-0"	7'-0"	1 3/4"	WOOD	A	---	---	---	WOOD	2	B1	A1	---		
107	3'-0"	7'-0"	1 3/4"	WOOD	A	---	---	---	WOOD	2	B1	A1	---		
108	3'-0"	7'-0"	1 3/4"	WOOD	A	---	---	---	WOOD	2	B1	A1	---		
109	3'-0"	7'-0"	1 3/4"	WOOD	A	---	---	---	WOOD	2	B1	A1	---		
110	3'-0"	7'-0"	1 3/4"	WOOD	A	---	---	---	WOOD	2	B1	A1	---		
111	3'-0"	7'-0"	1 3/4"	WOOD	A	---	---	---	WOOD	2	B1	A1	---		
113	3'-0"	7'-0"	1 3/4"	WOOD	A	---	---	---	WOOD	2	B1	A1	---		
114	3'-0"	7'-0"	1 3/4"	WOOD	A	---	---	---	WOOD	2	B1	A1	---		
115	3'-0"	7'-0"	1 3/4"	WOOD	A	---	---	---	WOOD	1	B1	A1	---		CLOSER
116	3'-0"	7'-0"	1 3/4"	WOOD	A	---	---	---	WOOD	1	B1	A1	---		CLOSER



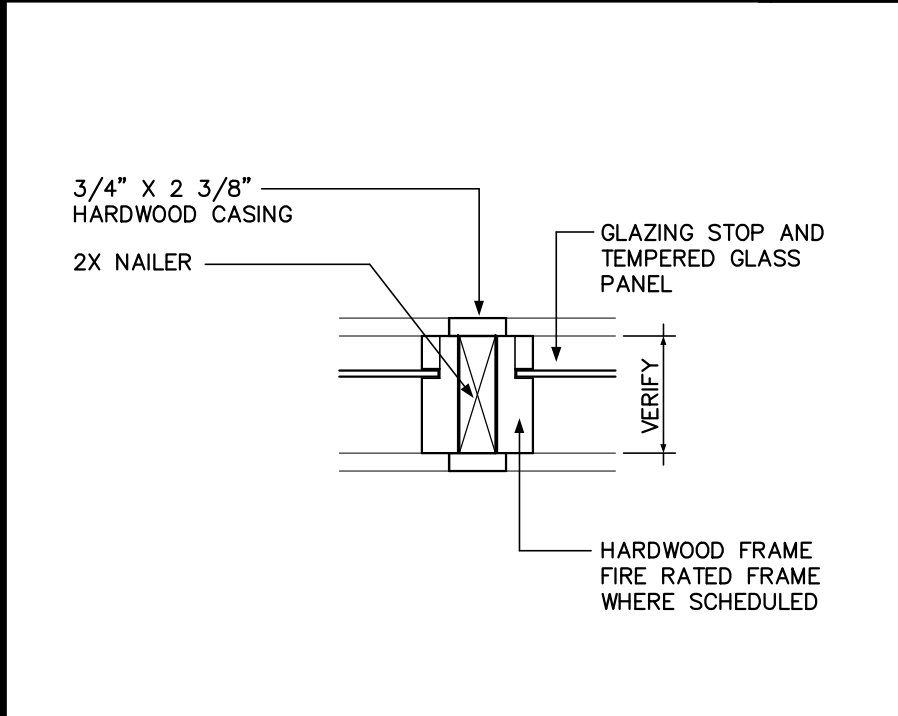
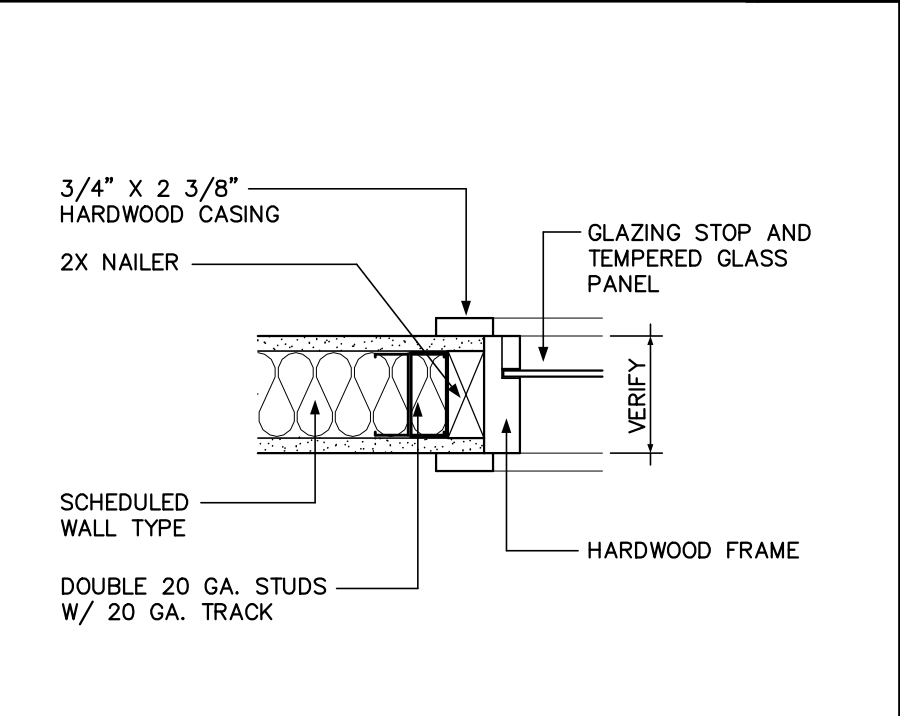
ALUMINUM FRAME HEAD
1 1/2" = 1'-0"

STEEL FRAME HEAD
1 1/2" = 1'-0"



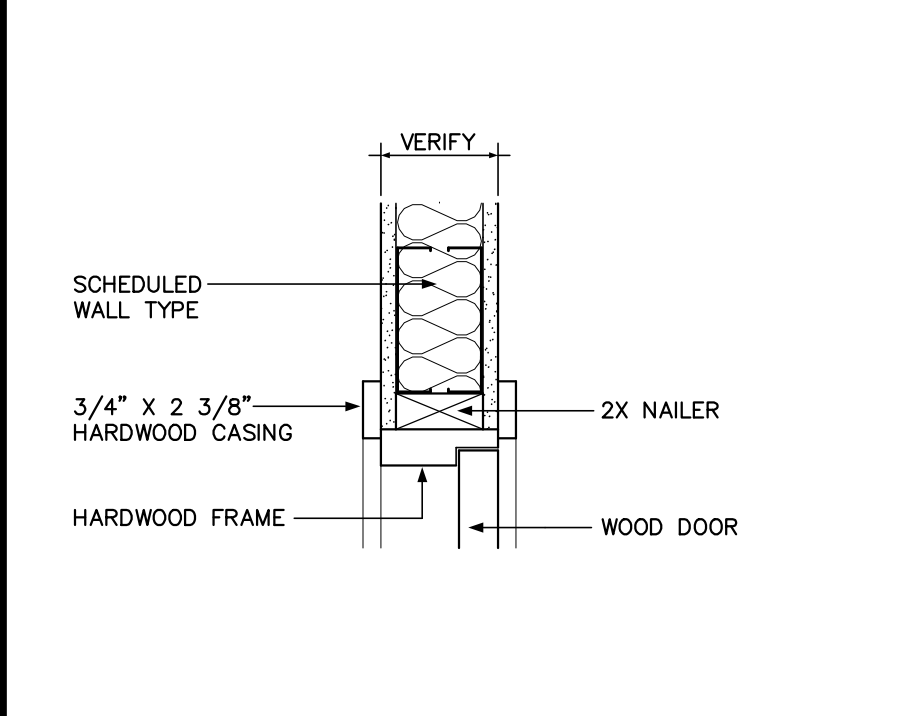
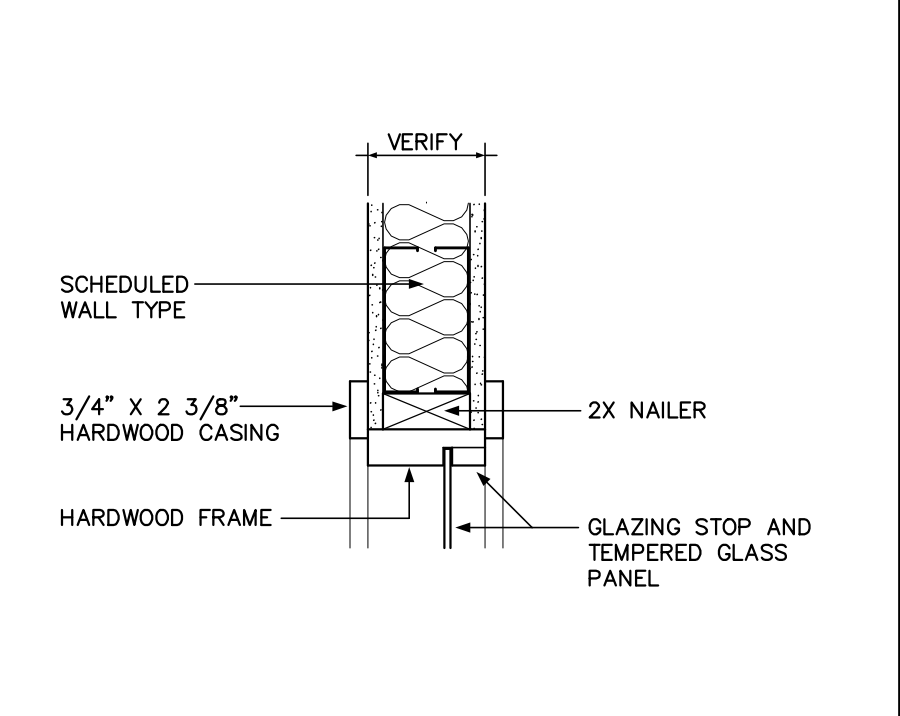
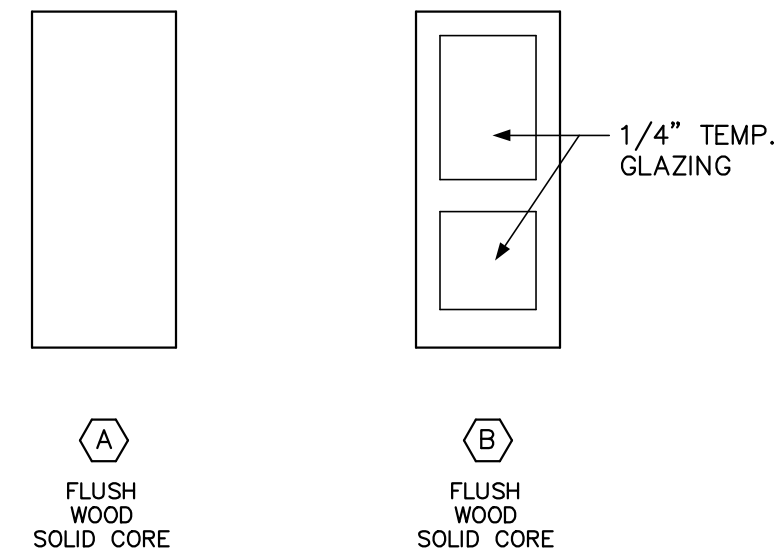
ALUMINUM FRAME JAMB
1 1/2" = 1'-0"

STEEL FRAME JAMB
1 1/2" = 1'-0"



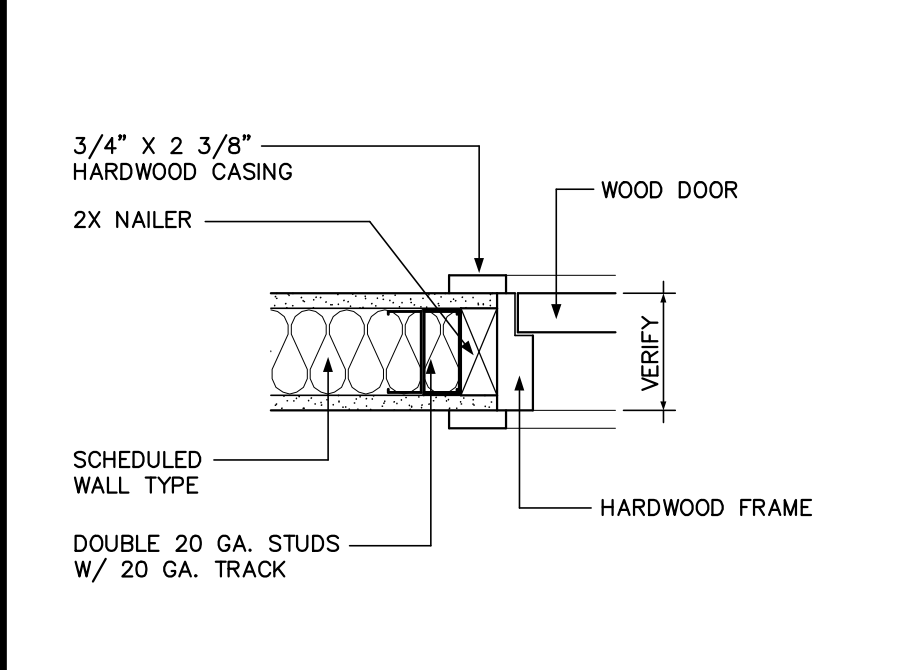
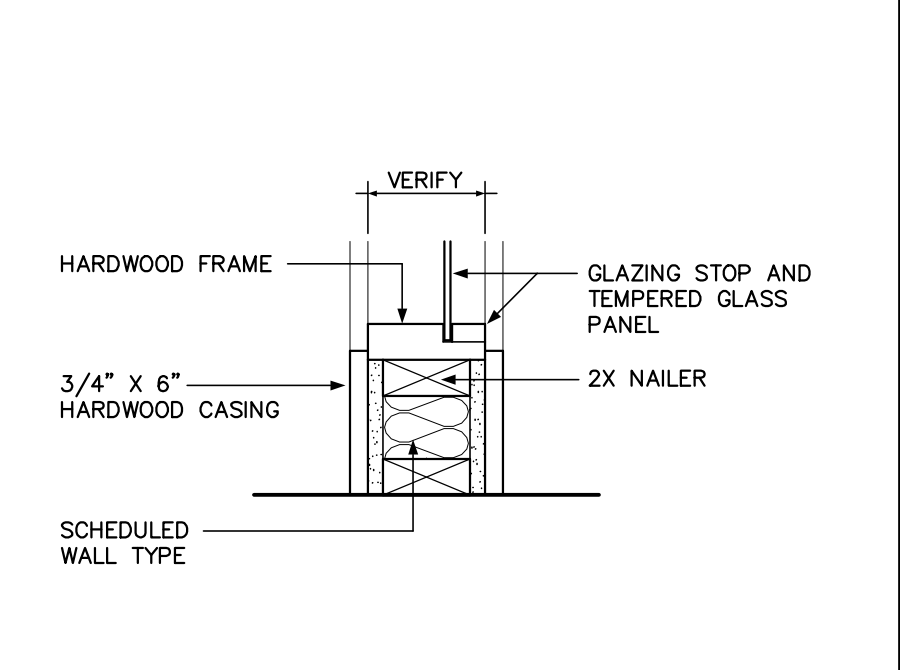
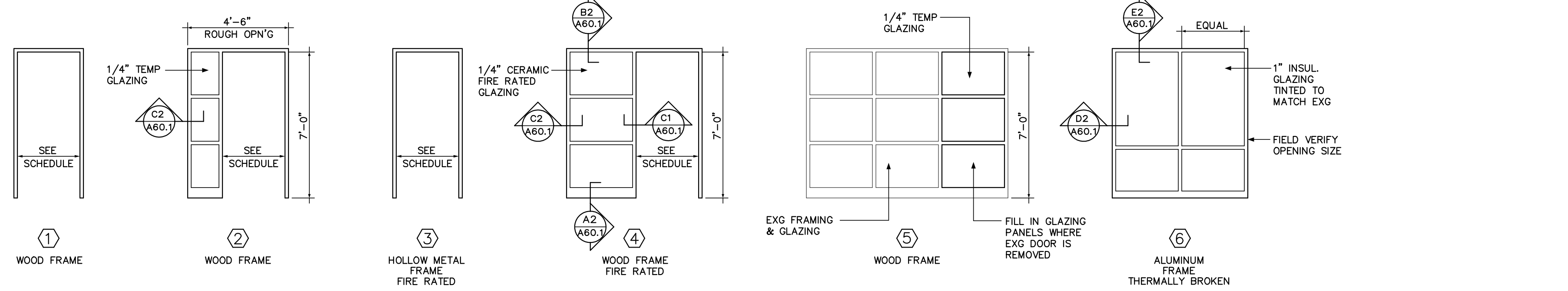
WOOD FRAME JAMB
1 1/2" = 1'-0"

WOOD FRAME JAMB
1 1/2" = 1'-0"



WOOD FRAME HEAD
1 1/2" = 1'-0"

WOOD FRAME HEAD
1 1/2" = 1'-0"



WOOD FRAME SILL
1 1/2" = 1'-0"

WOOD FRAME JAMB
1 1/2" = 1'-0"

ROBERT J. FOSTER ARCHITECT
36 Groveside Road, Portland, Maine 04102
(207) 761-3822

Project Title
CROSS INSURANCE RENOVATIONS
2331 CONGRESS STREET
PORTLAND, MAINE

08 - 26 - 16	ISSUED FOR PERMIT
Mark	Date
	Description
Issue Dates	

Drawing Title
DOOR SCHEDULE AND DETAILS

Drawing Number

A60.1