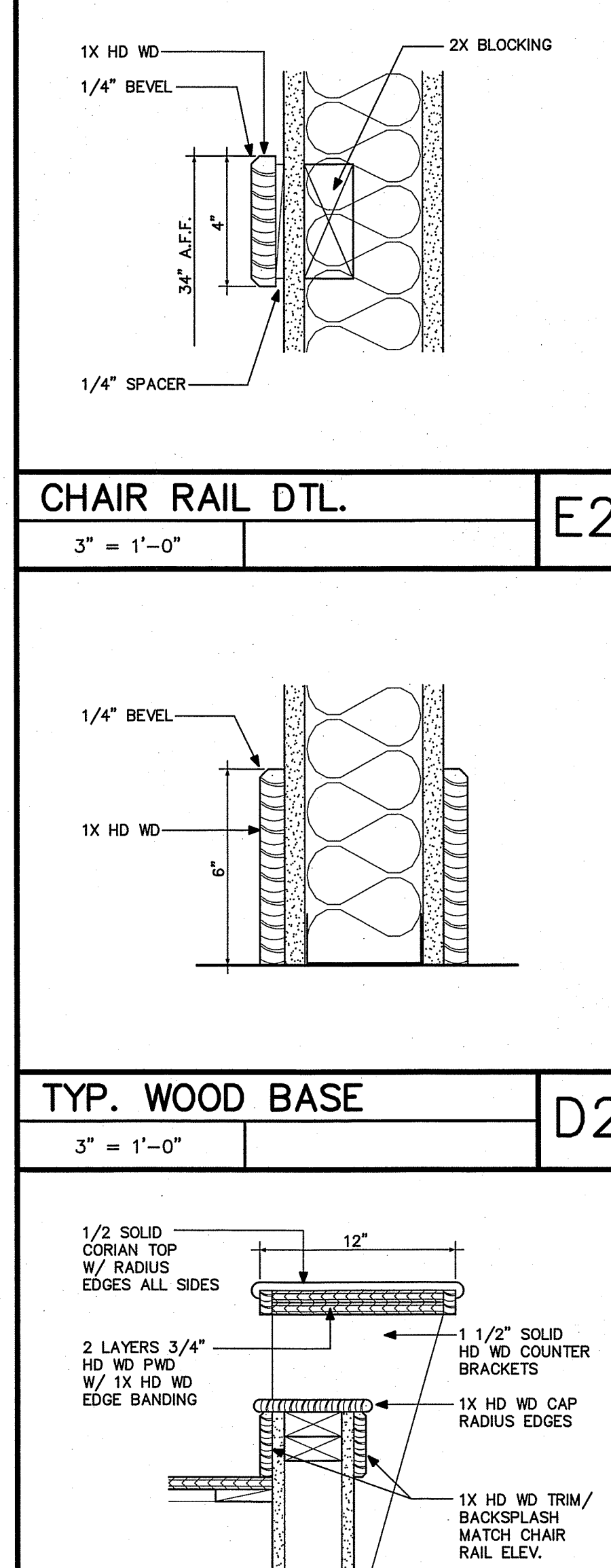
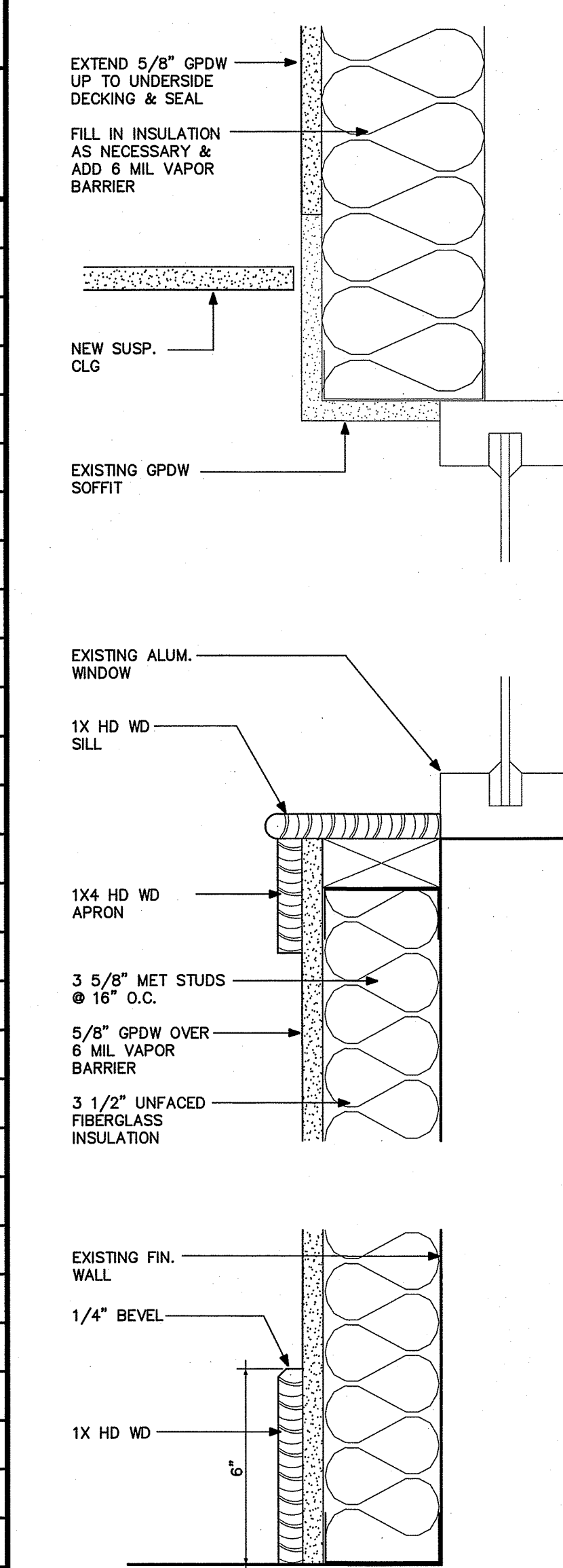


# ROOM FINISH SCHEDULE

| NO. | ROOM          | FLOOR        |     | BASE         |     | WAINSCOT     |     |     | WALLS |     |      |     |       |     | CEILING |     |          | REMARKS |       |                            |
|-----|---------------|--------------|-----|--------------|-----|--------------|-----|-----|-------|-----|------|-----|-------|-----|---------|-----|----------|---------|-------|----------------------------|
|     |               | MAT          | FIN | MAT          | FIN | MAT          | FIN | HT  | NORTH | FIN | EAST | FIN | SOUTH | FIN | WEST    | FIN | MAT      |         | FIN   | HT                         |
| 102 | RECEPTION     | CARPET       |     | WOOD         | PT  |              |     |     | GPDW  | PT  | GPDW | PT  | GPDW  | PT  | GPDW    | PT  | ACT/GPDW | PT      | 9'-0" | CHAIR RAIL - SEE DETAIL E1 |
| 103 | UTILITY ROOM  | CONC         |     | RUBBER       |     |              |     |     | GPDW  | PT  | GPDW | PT  | GPDW  | PT  | GPDW    | PT  | ACT      |         | 9'-0" |                            |
| 104 | OFFICE        | CARPET       |     | WOOD         | PT  |              |     |     | GPDW  | PT  | GPDW | PT  | GPDW  | PT  | GPDW    | PT  | ACT      |         | 9'-0" |                            |
| 105 | OFFICE        | CARPET       |     | WOOD         | PT  |              |     |     | GPDW  | PT  | GPDW | PT  | GPDW  | PT  | GPDW    | PT  | ACT      |         | 9'-0" |                            |
| 106 | CORRIDOR      | CARPET       |     | WOOD         | PT  |              |     |     | GPDW  | PT  | GPDW | PT  | GPDW  | PT  | GPDW    | PT  | ACT      |         | 8'-0" |                            |
| 107 | CORRIDOR      | CARPET       |     | WOOD         | PT  |              |     |     | GPDW  | PT  | GPDW | PT  | GPDW  | PT  | GPDW    | PT  | ACT      |         | 9'-0" |                            |
| 108 | OFFICE        | CARPET       |     | WOOD         | PT  |              |     |     | GPDW  | PT  | GPDW | PT  | GPDW  | PT  | GPDW    | PT  | ACT      |         | 9'-0" |                            |
| 109 | OFFICE        | CARPET       |     | WOOD         | PT  |              |     |     | GPDW  | PT  | GPDW | PT  | GPDW  | PT  | GPDW    | PT  | ACT      |         | 9'-0" |                            |
| 110 | OFFICE        | CARPET       |     | WOOD         | PT  |              |     |     | GPDW  | PT  | GPDW | PT  | GPDW  | PT  | GPDW    | PT  | ACT      |         | 9'-0" |                            |
| 111 | OPEN OFFICE   | CARPET       |     | WOOD         | PT  |              |     |     | GPDW  | PT  | GPDW | PT  | GPDW  | PT  | GPDW    | PT  | ACT      |         | 9'-0" |                            |
| 112 | OFFICE        | CARPET       |     | WOOD         | PT  |              |     |     | GPDW  | PT  | GPDW | PT  | GPDW  | PT  | GPDW    | PT  | ACT      |         | 9'-0" |                            |
| 113 | OFFICE        | CARPET       |     | WOOD         | PT  |              |     |     | GPDW  | PT  | GPDW | PT  | GPDW  | PT  | GPDW    | PT  | ACT      |         | 9'-0" |                            |
| 114 | OFFICE        | CARPET       |     | WOOD         | PT  |              |     |     | GPDW  | PT  | GPDW | PT  | GPDW  | PT  | GPDW    | PT  | ACT      |         | 9'-0" |                            |
| 115 | CORRIDOR      | CARPET       |     | WOOD         | PT  |              |     |     | GPDW  | PT  | GPDW | PT  | GPDW  | PT  | GPDW    | PT  | ACT      |         | 9'-0" |                            |
| 116 | CORRIDOR      | CARPET       |     | WOOD         | PT  |              |     |     | GPDW  | PT  | GPDW | PT  | GPDW  | PT  | GPDW    | PT  | ACT      |         | 9'-0" |                            |
| 117 | OFFICE        | CARPET       |     | WOOD         | PT  |              |     |     | GPDW  | PT  | GPDW | PT  | GPDW  | PT  | GPDW    | PT  | ACT      |         | 9'-0" |                            |
| 118 | OFFICE        | CARPET       |     | WOOD         | PT  |              |     |     | GPDW  | PT  | GPDW | PT  | GPDW  | PT  | GPDW    | PT  | ACT      |         | 9'-0" |                            |
| 119 | BREAK ROOM    | VCT          |     | RUBBER       |     |              |     |     | GPDW  | PT  | GPDW | PT  | GPDW  | PT  | GPDW    | PT  | ACT      |         | 9'-0" |                            |
| 120 | CLOSET        | VCT          |     | RUBBER       |     |              |     |     | GPDW  | PT  | GPDW | PT  | GPDW  | PT  | GPDW    | PT  | ACT      |         | 9'-0" |                            |
| 121 | EXIT ACCESS   | VCT          |     | RUBBER       |     |              |     |     | GPDW  | PT  | GPDW | PT  | GPDW  | PT  | GPDW    | PT  | ACT      |         | 9'-0" |                            |
| 122 | OFFICE        | CARPET       |     | WOOD         | PT  |              |     |     | GPDW  | PT  | GPDW | PT  | GPDW  | PT  | GPDW    | PT  | ACT      |         | 9'-0" |                            |
| 123 | FILE ROOM     | VCT          |     | RUBBER       |     |              |     |     | GPDW  | PT  | GPDW | PT  | GPDW  | PT  | GPDW    | PT  | ACT      |         | 9'-0" |                            |
| 124 | OFFICE        | CARPET       |     | WOOD         | PT  |              |     |     | GPDW  | PT  | GPDW | PT  | GPDW  | PT  | GPDW    | PT  | ACT      |         | 9'-0" |                            |
| 125 | WORK ROOM     | VCT          |     | RUBBER       |     |              |     |     | GPDW  | PT  | GPDW | PT  | GPDW  | PT  | GPDW    | PT  | ACT      |         | 9'-0" |                            |
| 126 | CONFERENCE RM | CARPET       |     | WOOD         | PT  |              |     |     | GPDW  | PT  | GPDW | PT  | GPDW  | PT  | GPDW    | PT  | ACT      |         | 9'-0" | CHAIR RAIL - SEE DETAIL E1 |
| 127 | CORRIDOR      | CARPET       |     | WOOD         | PT  |              |     |     | GPDW  | PT  | GPDW | PT  | GPDW  | PT  | GPDW    | PT  | GPDW     | PT      | 8'-0" |                            |
| 128 | M. TOILET RM  | CERAMIC TILE |     | CERAMIC TILE |     | CERAMIC TILE |     | 48" | GPDW  | PT  | GPDW | PT  | GPDW  | PT  | GPDW    | PT  | ACT      |         | 9'-0" |                            |
| 129 | W. TOILET RM  | CERAMIC TILE |     | CERAMIC TILE |     | CERAMIC TILE |     | 48" | GPDW  | PT  | GPDW | PT  | GPDW  | PT  | GPDW    | PT  | ACT      |         | 9'-0" |                            |
| 130 | M. TOILET RM  | CERAMIC TILE |     | CERAMIC TILE |     | CERAMIC TILE |     | 48" | GPDW  | PT  | GPDW | PT  | GPDW  | PT  | GPDW    | PT  | ACT      |         | 9'-0" |                            |
| 131 | W. TOILET RM  | CERAMIC TILE |     | CERAMIC TILE |     | CERAMIC TILE |     | 48" | GPDW  | PT  | GPDW | PT  | GPDW  | PT  | GPDW    | PT  | ACT      |         | 9'-0" |                            |
| 132 | OPEN          |              |     |              |     |              |     |     | GPDW  |     | GPDW |     | GPDW  |     | GPDW    |     |          |         |       | UNFINISHED                 |



ROBERT J. FOSTER — ARCHITECT  
36 Groveside Road, Portland, Maine 04102  
(207) 761-3822

5-27-13

Project Title

## CROSS INSURANCE RENOVATIONS

2331 CONGRESS STREET  
Portland, Maine

|  |  |
|--|--|
|  |  |
|  |  |
|  |  |
|  |  |

|  |  |
|--|--|
|  |  |
|  |  |
|  |  |
|  |  |

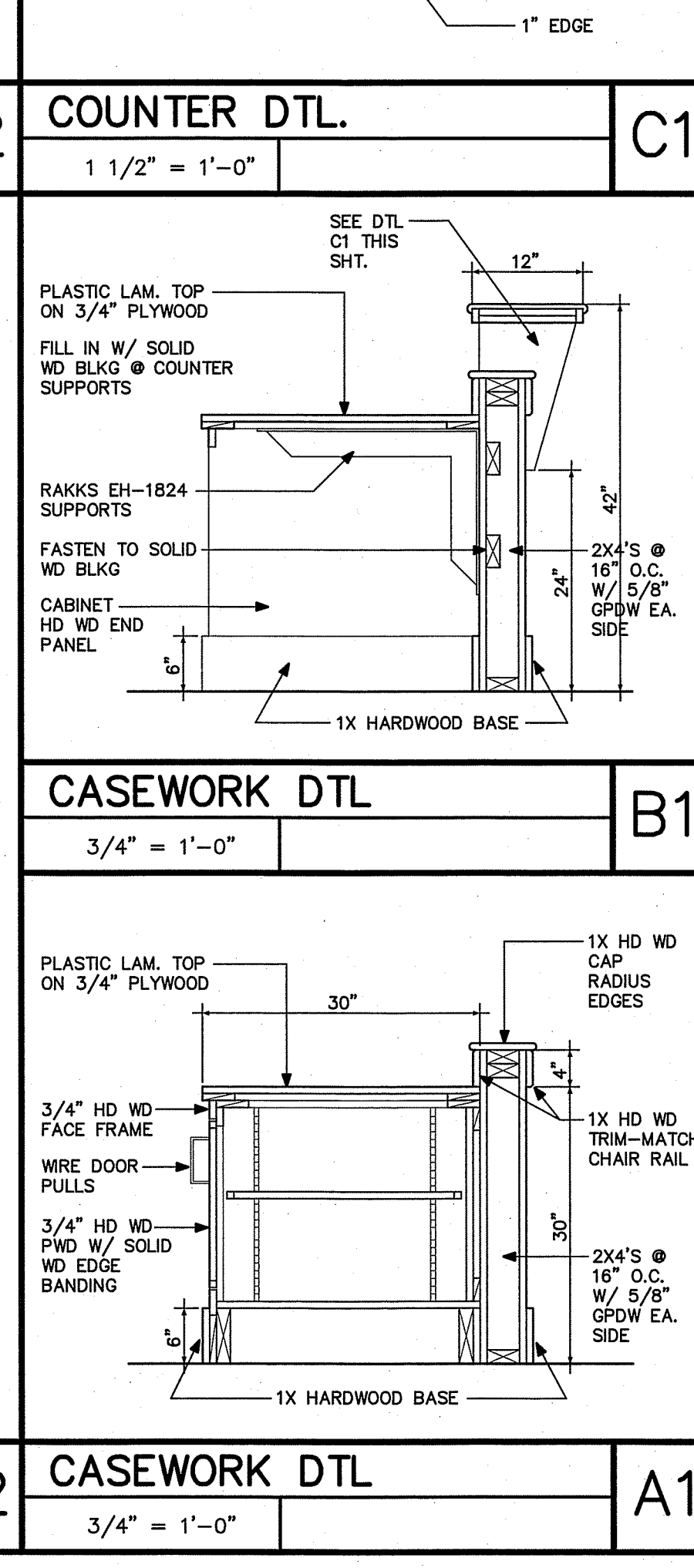
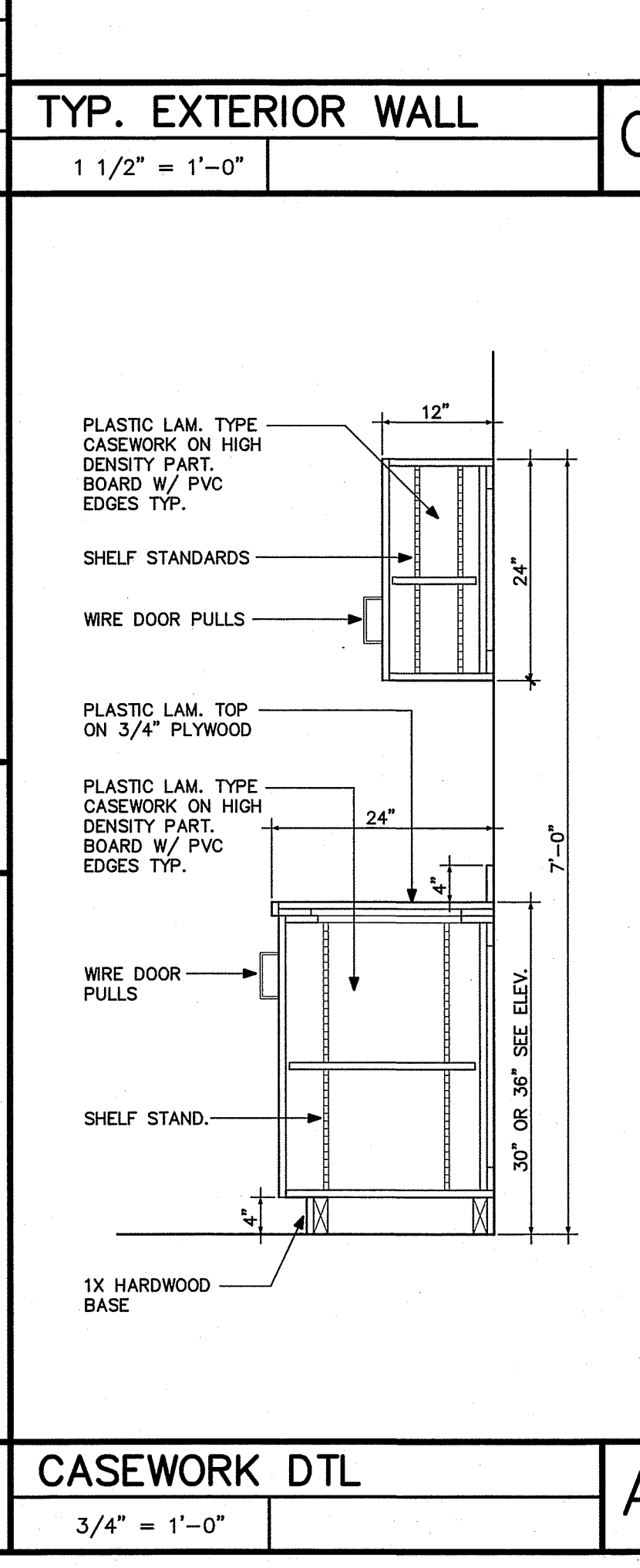
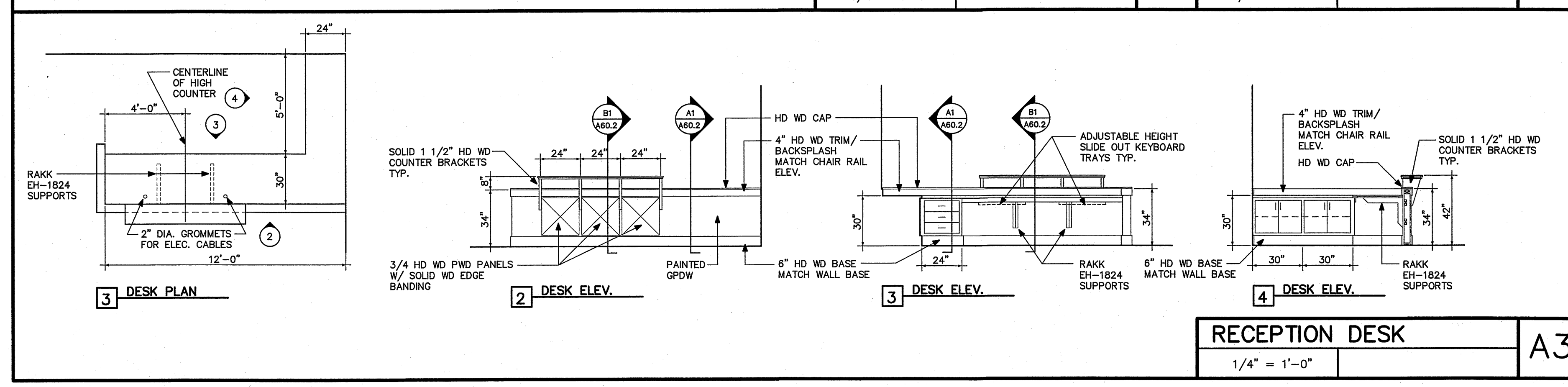
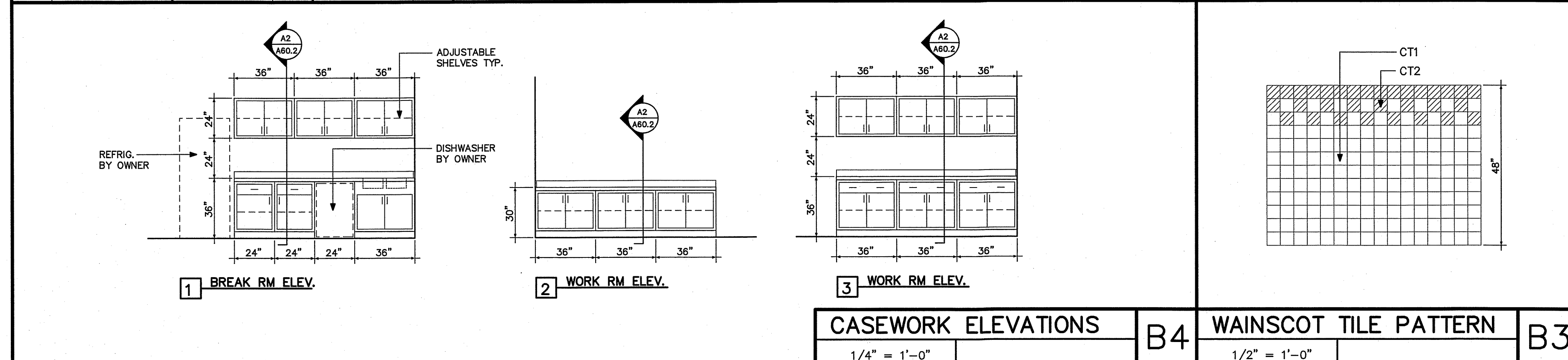
|  |  |
|--|--|
|  |  |
|  |  |
|  |  |
|  |  |

Drawing Title

## ROOM FINISH SCHEDULE AND DETAILS

Drawing Number

# A60.2



|                |    |
|----------------|----|
| RECEPTION DESK | A3 |
| 1/4" = 1'-0"   |    |

|              |    |
|--------------|----|
| CASEWORK DTL | A2 |
| 3/4" = 1'-0" |    |

|              |    |
|--------------|----|
| CASEWORK DTL | A1 |
| 3/4" = 1'-0" |    |