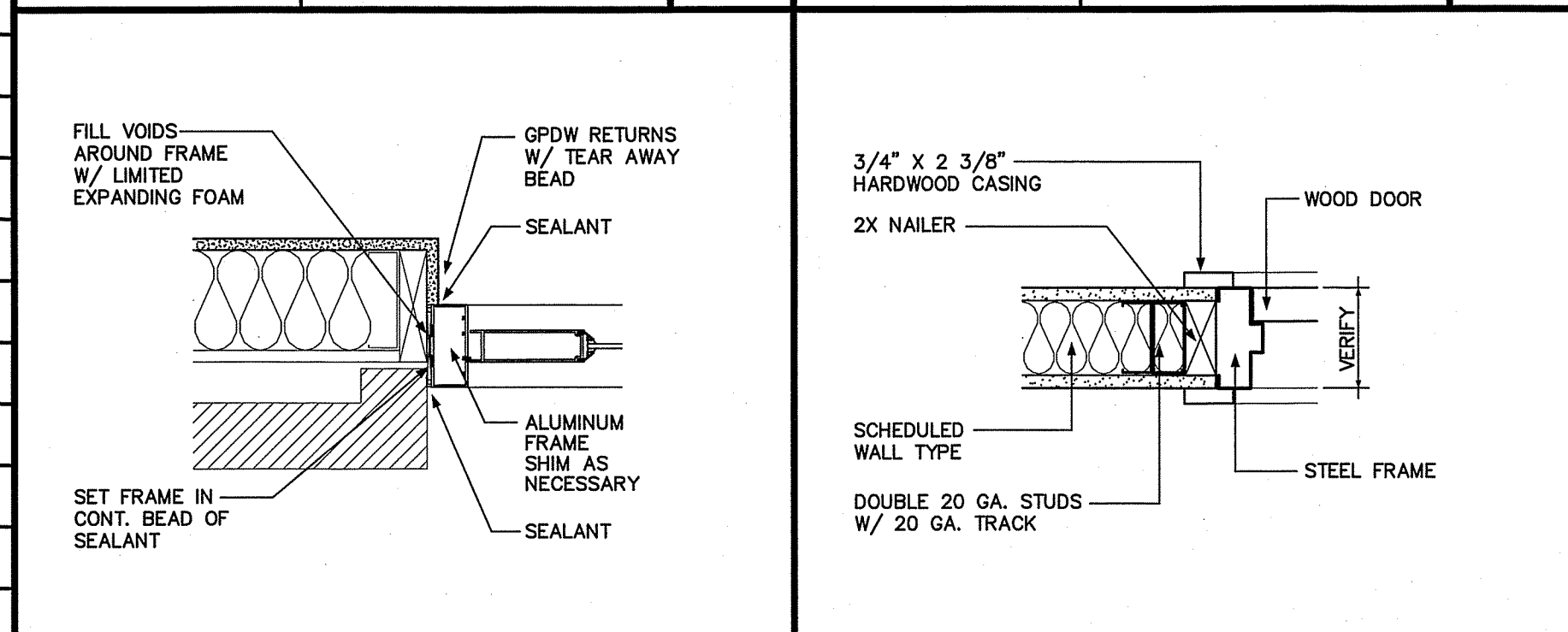


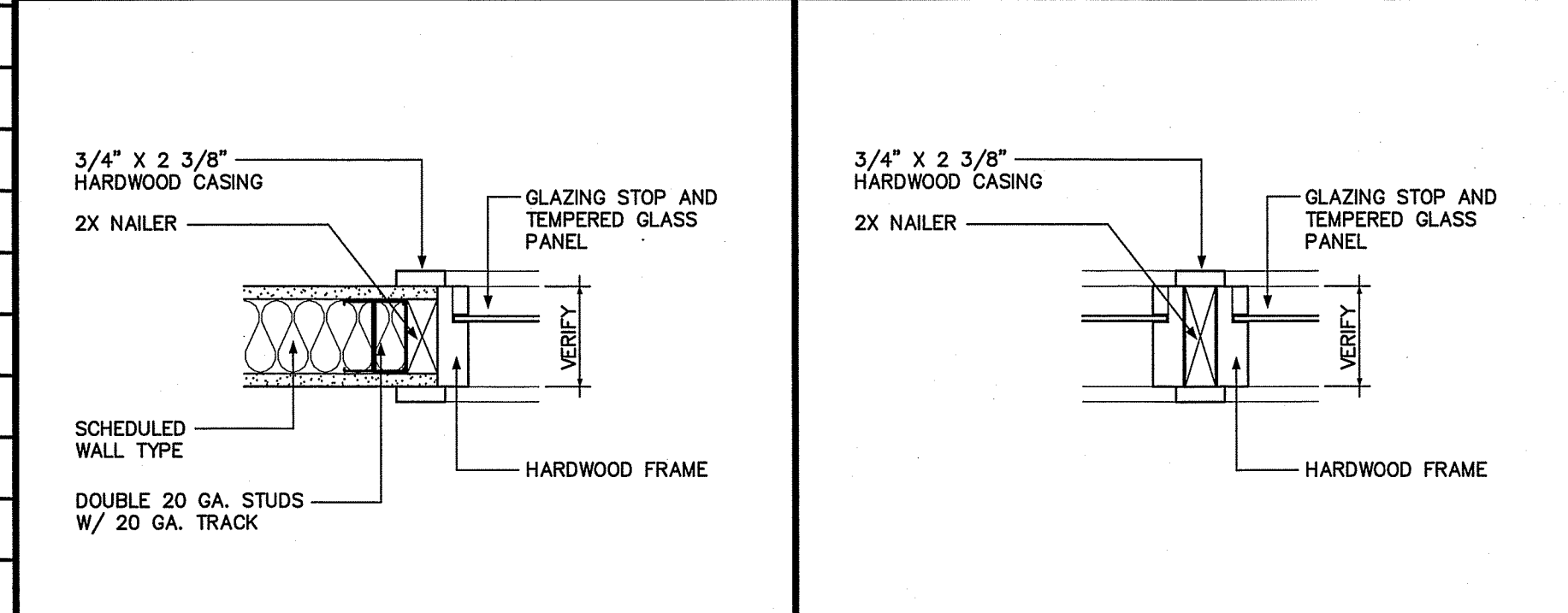
DOOR AND FRAME SCHEDULE

NO.	DOOR						FRAME						FIRE RATING	REMARKS	
	SIZE			MAT	TYPE	GLASS	LOUVER		MAT	TYPE	DETAILS				
	WIDTH	HEIGHT	THICK.				WIDTH	HEIGHT			HEAD	JAMB			SILL
102														EXISTING TO REMAIN	
103	3'-0"	7'-0"	1 3/4"	WOOD	A	---	---	---	STEEL	3	E1	D1	---	1 HOUR	CLOSER
104	3'-0"	7'-0"	1 3/4"	WOOD	A	---	---	---	WOOD	2	B1	A1	---		
105	3'-0"	7'-0"	1 3/4"	WOOD	A	---	---	---	WOOD	2	B1	A1	---		
108	3'-0"	7'-0"	1 3/4"	WOOD	A	---	---	---	WOOD	2	B1	A1	---		
109	3'-0"	7'-0"	1 3/4"	WOOD	A	---	---	---	WOOD	2	B1	A1	---		
110	3'-0"	7'-0"	1 3/4"	WOOD	A	---	---	---	WOOD	2	B1	A1	---		
112	3'-0"	7'-0"	1 3/4"	WOOD	A	---	---	---	WOOD	2	B1	A1	---		
113	3'-0"	7'-0"	1 3/4"	WOOD	A	---	---	---	WOOD	2	B1	A1	---		
114	3'-0"	7'-0"	1 3/4"	WOOD	A	---	---	---	WOOD	2	B1	A1	---		
117	3'-0"	7'-0"	1 3/4"	WOOD	A	---	---	---	WOOD	2	B1	A1	---		
118	3'-0"	7'-0"	1 3/4"	WOOD	A	---	---	---	WOOD	2	B1	A1	---		
119	3'-0"	7'-0"	1 3/4"	WOOD	A	---	---	---	WOOD	2	B1	A1	---		
120	3'-0"	7'-0"	1 3/4"	WOOD	A	---	---	---	WOOD	1	B1	A1	---		
121A	3'-0"	7'-0"	1 3/4"	WOOD	A	---	---	---	WOOD	1	B1	A1	---		CLOSER
121B	3'-0"	7'-0"	1 3/4"	WOOD	A	---	---	---	WOOD	1	B1	A1	---		CLOSER
121C	3'-0"	7'-0"	1 3/4"	ALUM.	D	---	---	---	ALUM.	4	E2	D2	ALUM.		CLOSER
122	3'-0"	7'-0"	1 3/4"	WOOD	A	---	---	---	WOOD	2	B1	A1	---		
123	3'-0"	7'-0"	1 3/4"	WOOD	A	---	---	---	WOOD	1	B1	A1	---		
124	3'-0"	7'-0"	1 3/4"	WOOD	B	TEMP	---	---	WOOD	1	B1	A1	---		
125	3'-0"	7'-0"	1 3/4"	WOOD	A	---	---	---	WOOD	1	B1	A1	---		
126	3'-0"	7'-0"	1 3/4"	WOOD	A	---	---	---	WOOD	1	B1	A1	---		
128	3'-0"	7'-0"	1 3/4"	WOOD	A	---	---	---	WOOD	1	B1	A1	---		CLOSER
129	3'-0"	7'-0"	1 3/4"	WOOD	A	---	---	---	WOOD	1	B1	A1	---		CLOSER
130	3'-0"	7'-0"	1 3/4"	WOOD	A	---	---	---	WOOD	1	B1	A1	---		CLOSER
131	3'-0"	7'-0"	1 3/4"	WOOD	A	---	---	---	WOOD	1	B1	A1	---		CLOSER
132	3'-0"	7'-0"	1 3/4"	WOOD	C	TEMP	---	---	WOOD	5	B1	A1	---		CLOSER

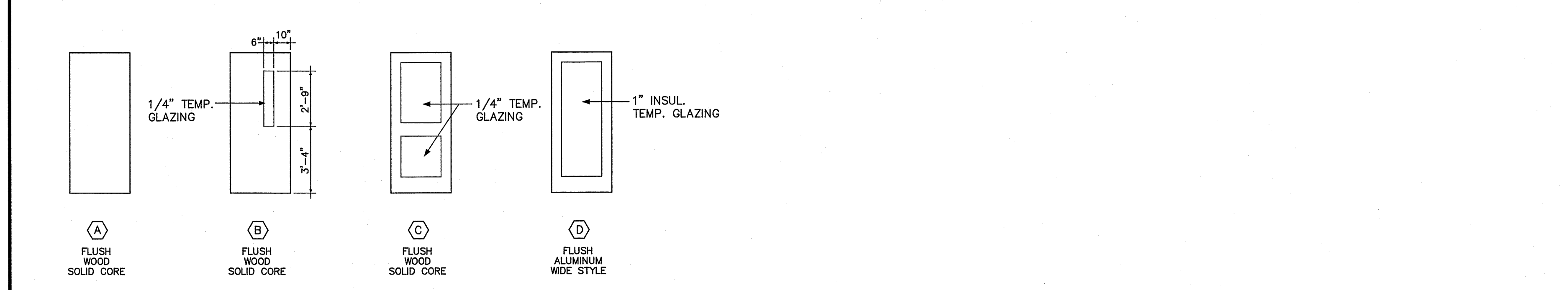
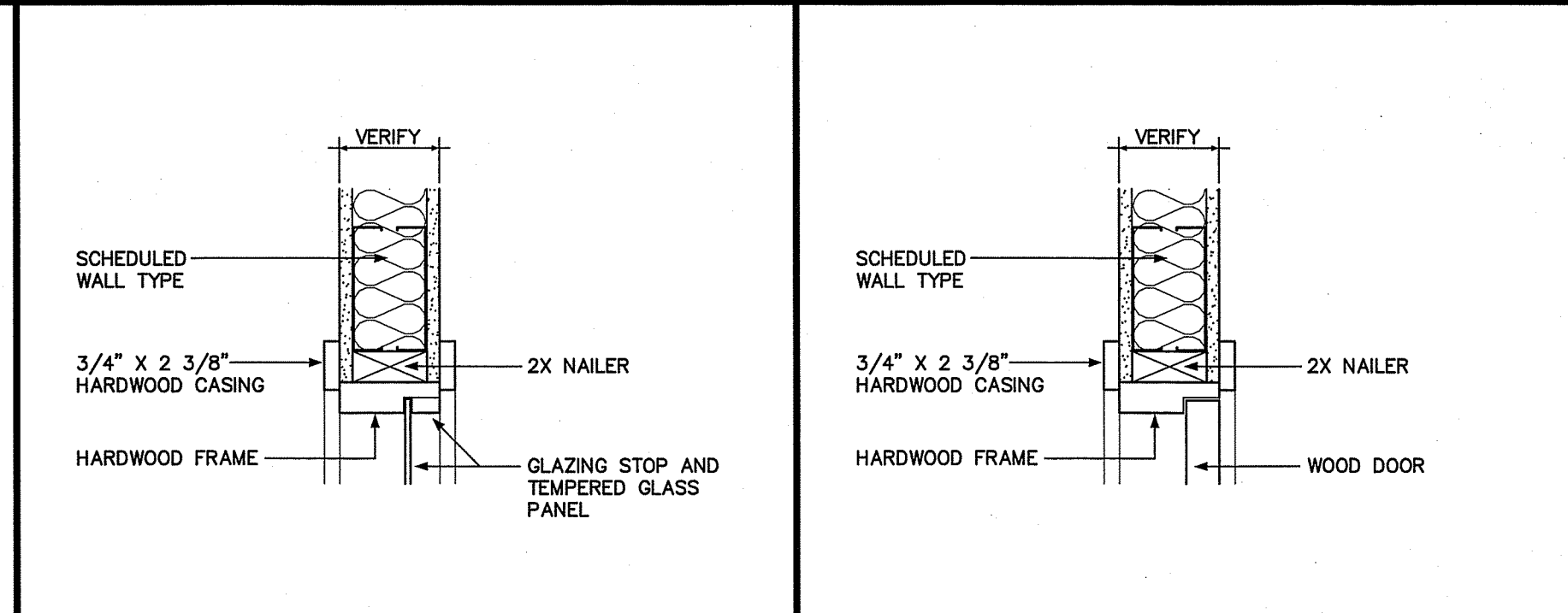
ALUMINUM FRAME HEAD	E2	STEEL FRAME HEAD	E1
1 1/2" = 1'-0"		1 1/2" = 1'-0"	



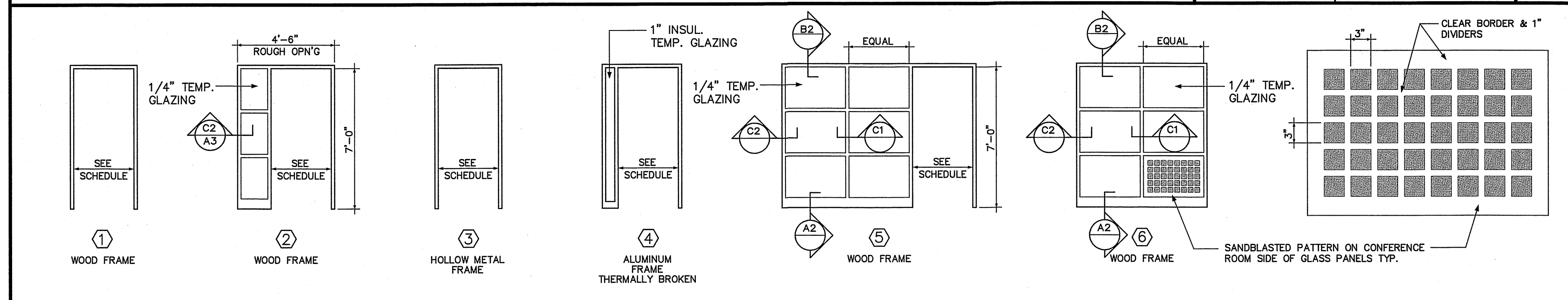
ALUMINUM FRAME JAMB	D2	STEEL FRAME JAMB	D1
1 1/2" = 1'-0"		1 1/2" = 1'-0"	



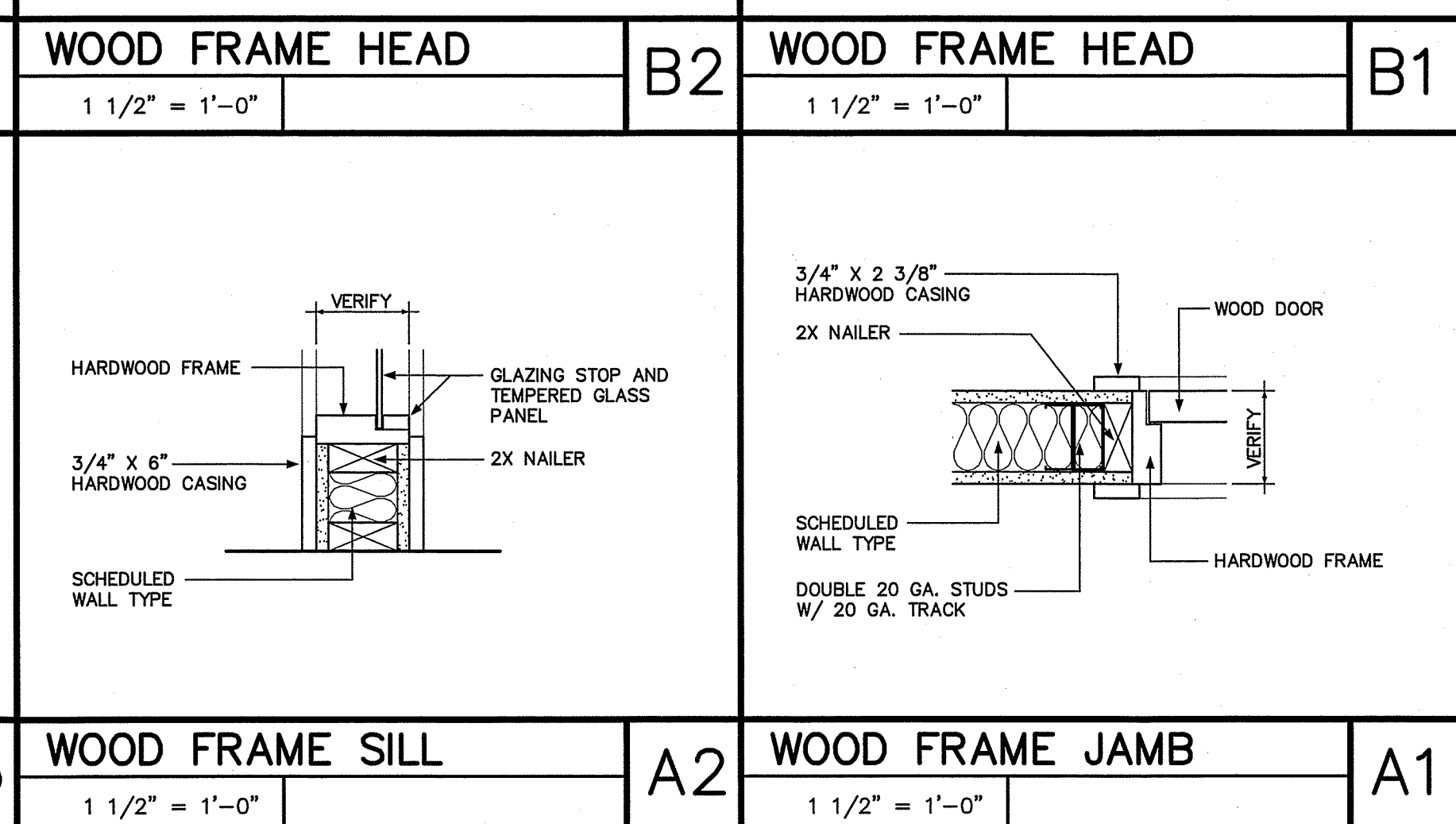
WOOD FRAME JAMB	C2	WOOD FRAME JAMB	C1
1 1/2" = 1'-0"		1 1/2" = 1'-0"	



DOOR TYPES	B3	WOOD FRAME HEAD	B2	WOOD FRAME HEAD	B1
1/4" = 1'-0"		1 1/2" = 1'-0"		1 1/2" = 1'-0"	



FRAME TYPES	A3	WOOD FRAME SILL	A2	WOOD FRAME JAMB	A1
1/4" = 1'-0"		1 1/2" = 1'-0"		1 1/2" = 1'-0"	



ROBERT J. FOSTER - ARCHITECT
36 Groveside Road, Portland, Maine 04102
(207) 761-3822

3-27-13

Project Title

CROSS INSURANCE RENOVATIONS

2331 CONGRESS STREET
Portland, Maine

03-29-13	ISSUED FOR BID
Mark	Date
	Description
Issue Dates	

Drawing Title

DOOR SCHEDULE AND DETAILS

Drawing Number

A60.1