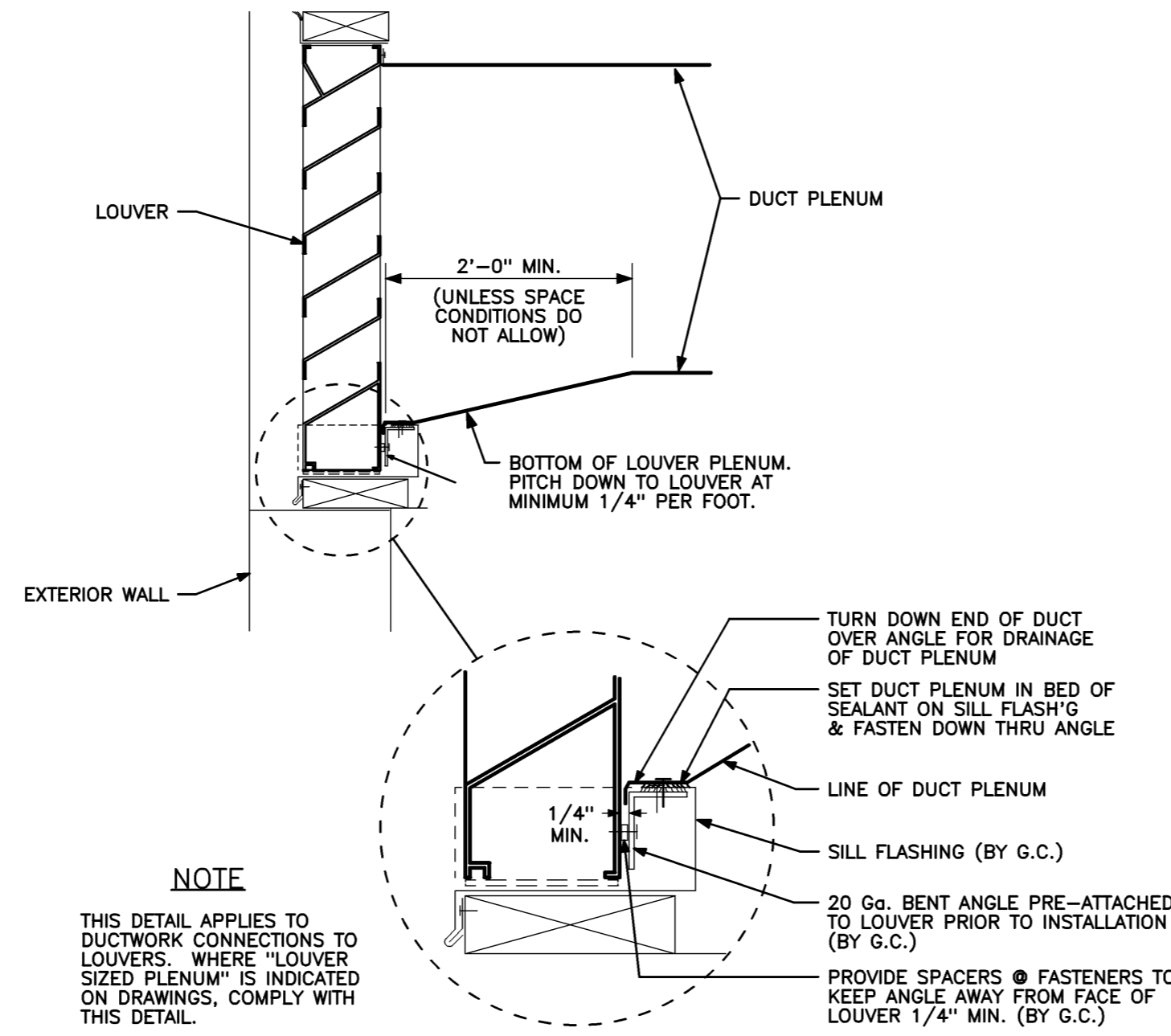
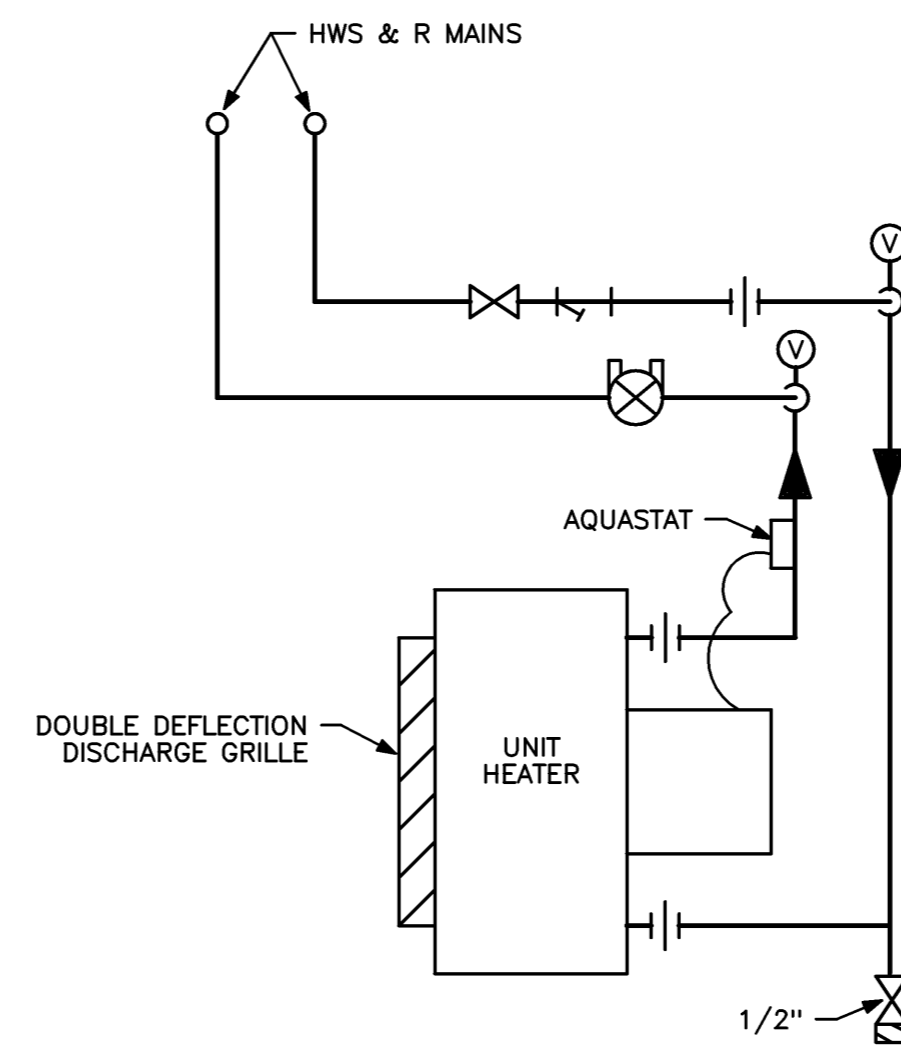


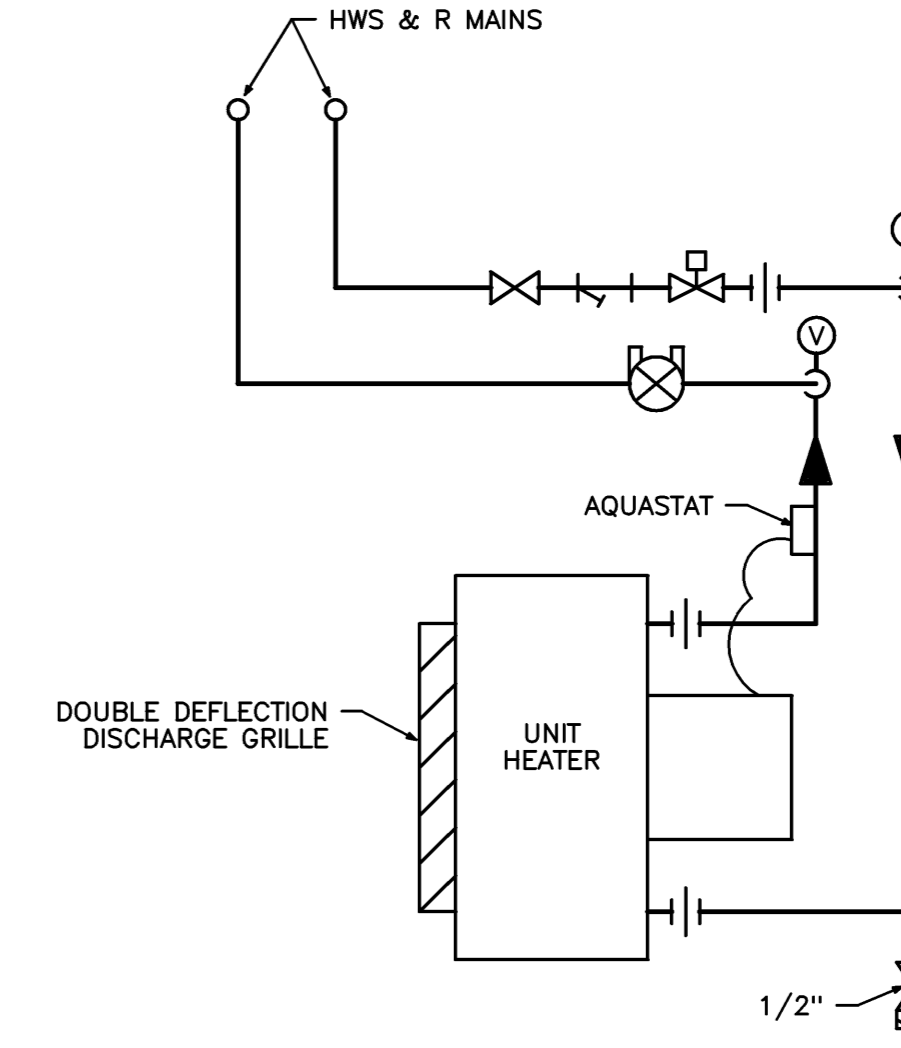
IN-LINE PARALLEL PUMP DETAIL
NO SCALE



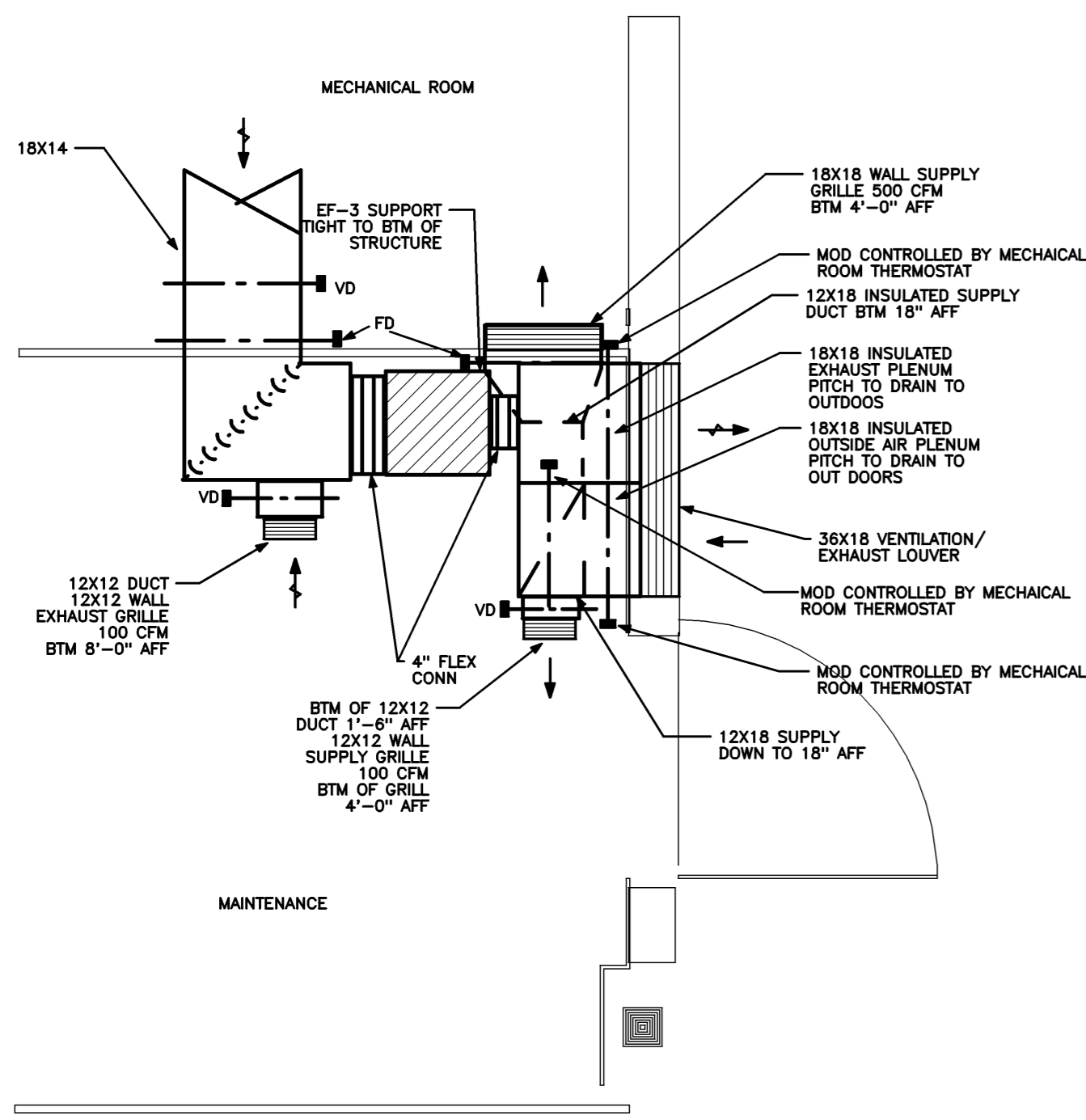
NOTE
THIS DETAIL APPLIES TO DUCTWORK CONNECTIONS TO LOUVERS. WHERE "LOUVER SIZED PLENUM" IS INDICATED ON DRAWINGS, COMPLY WITH THIS DETAIL.



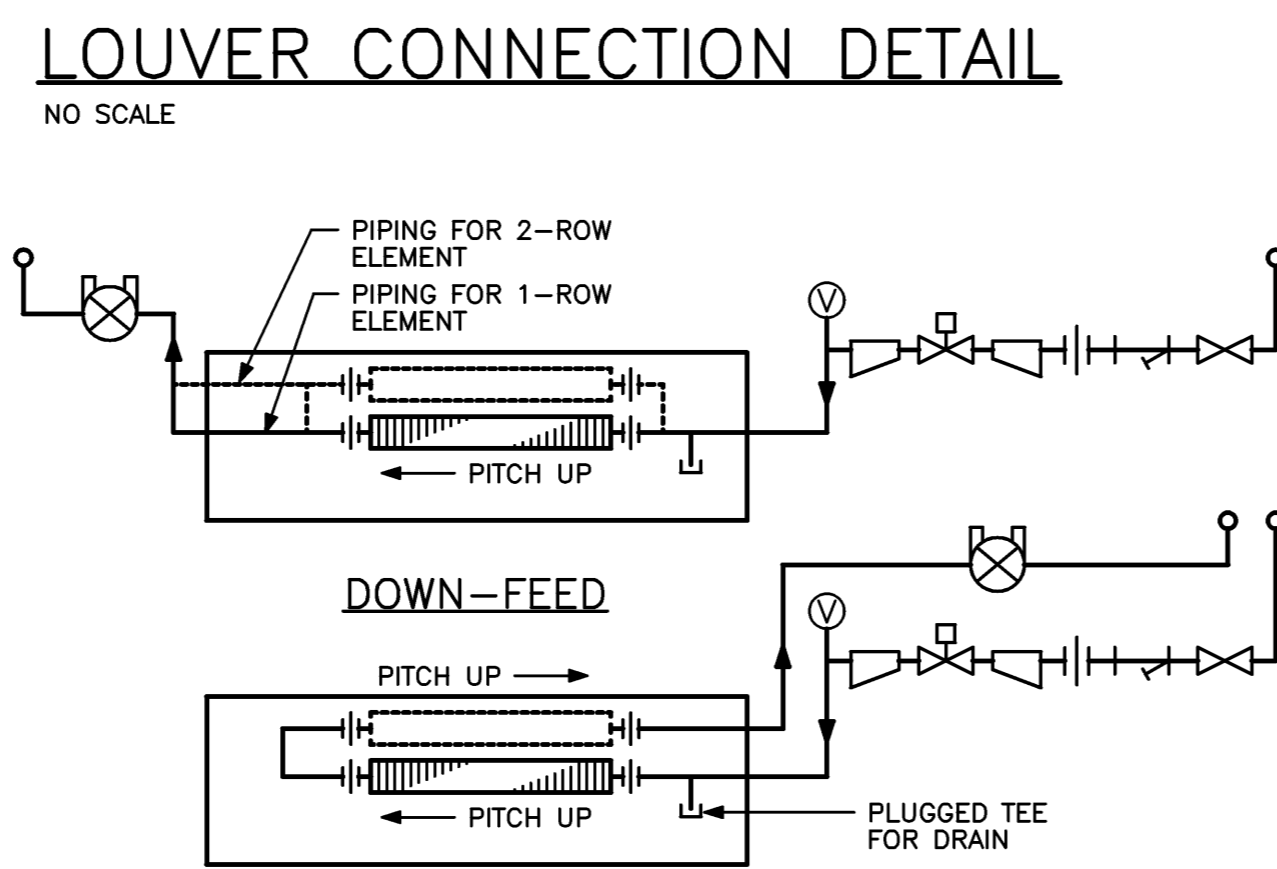
HOT WATER UNIT HEATER DETAIL
NO SCALE



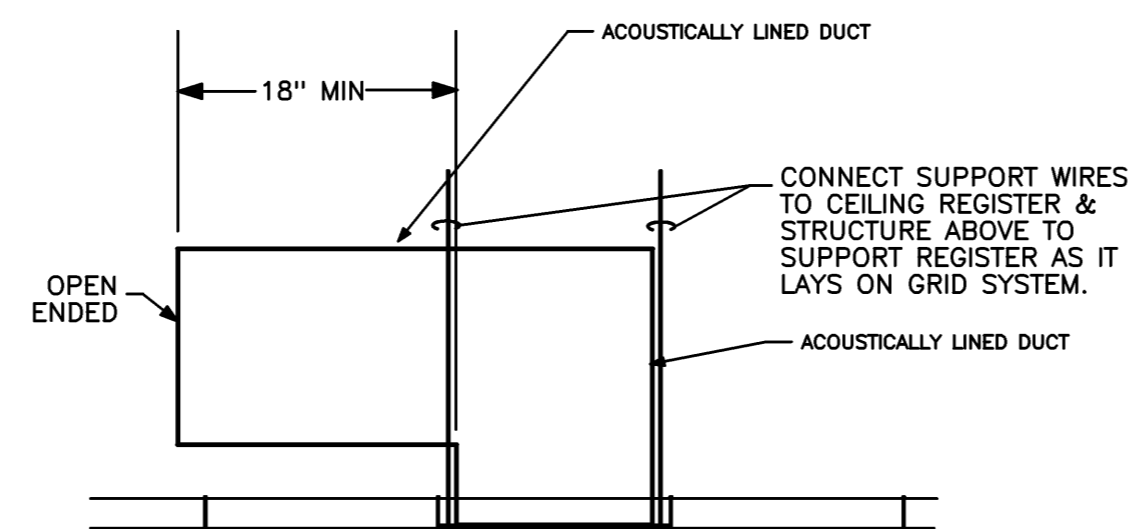
HOT WATER UNIT HEATER DETAIL
NO SCALE



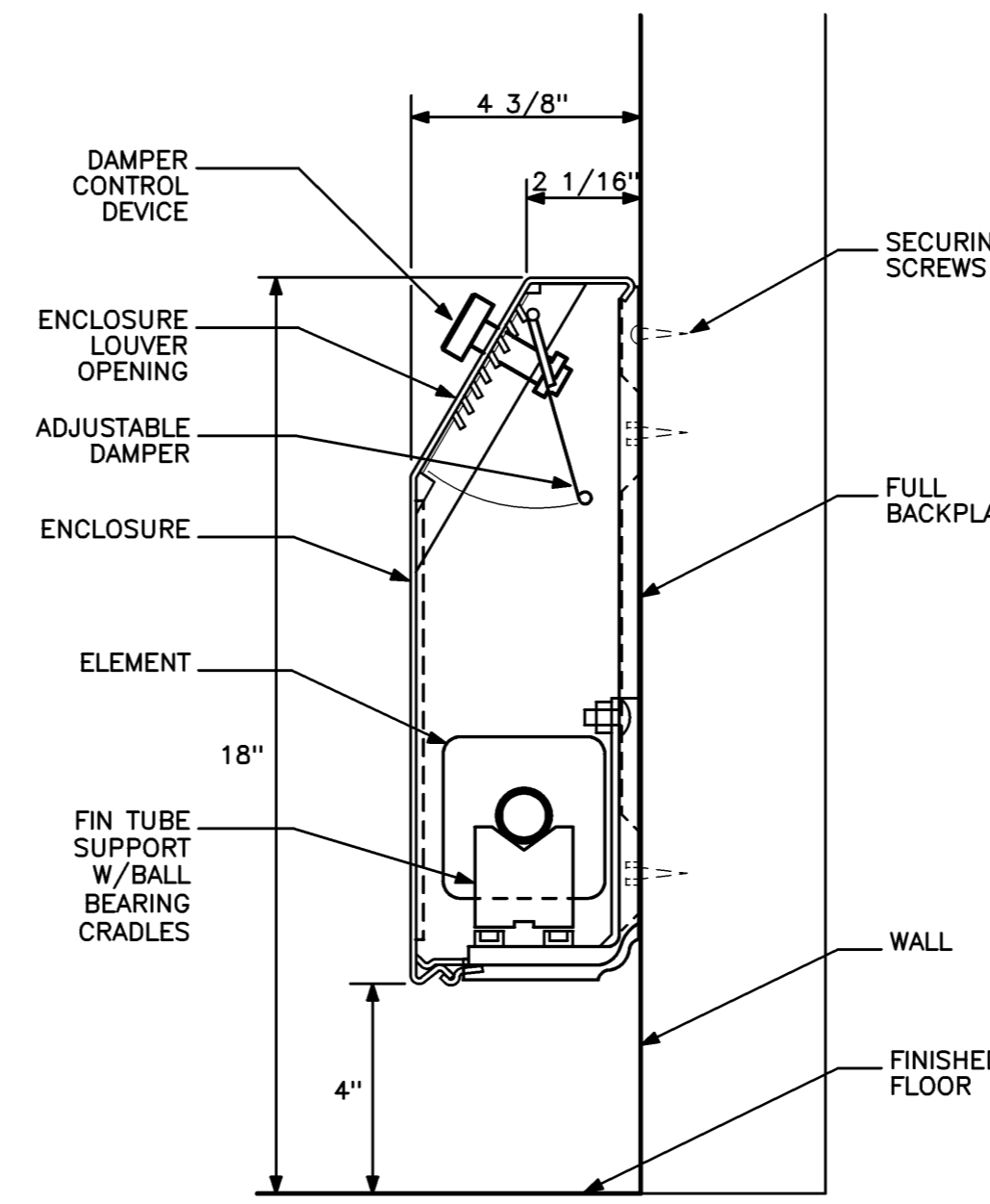
MECHANICAL / MAINTENANCE ROOM VENTILATION DETAIL



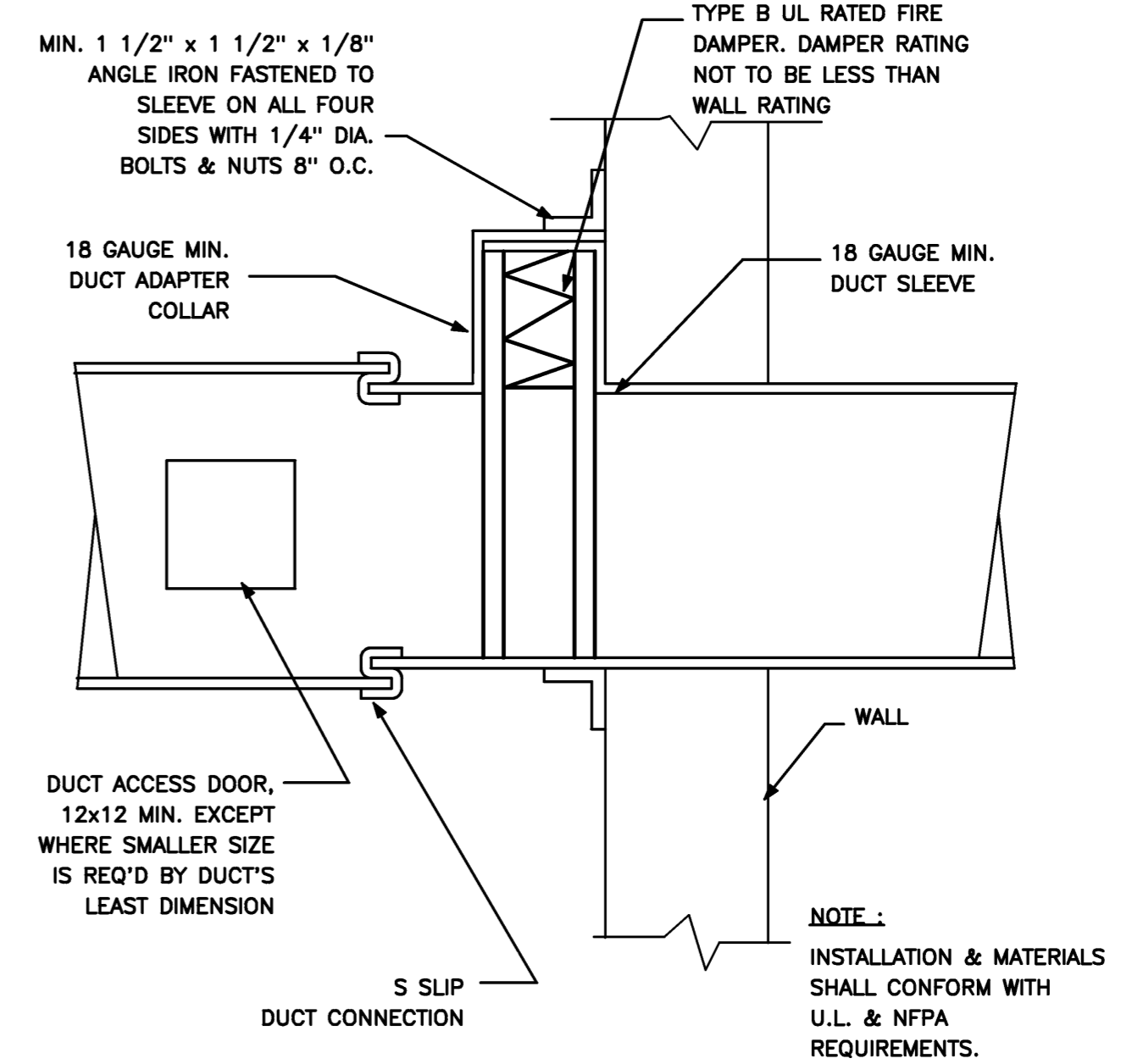
HOT WATER RADIATION DETAILS
NO SCALE



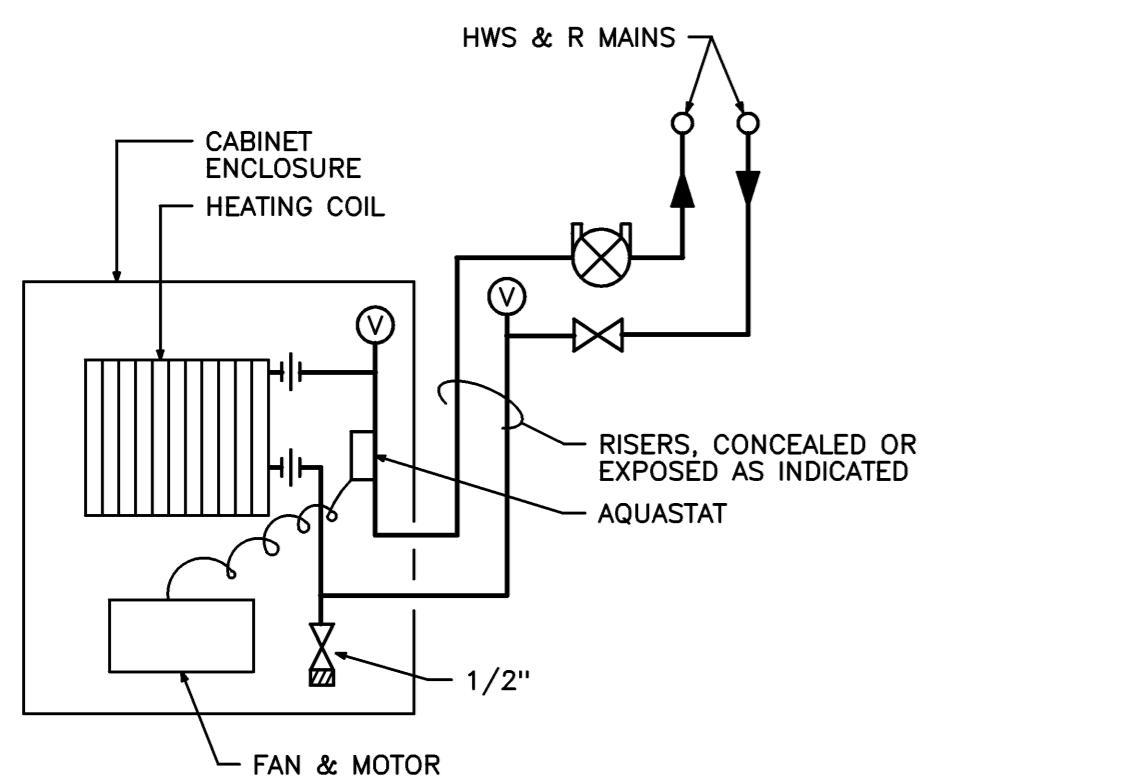
LAY-IN CEILING RETURN REGISTER MOUNTING DETAIL
NO SCALE



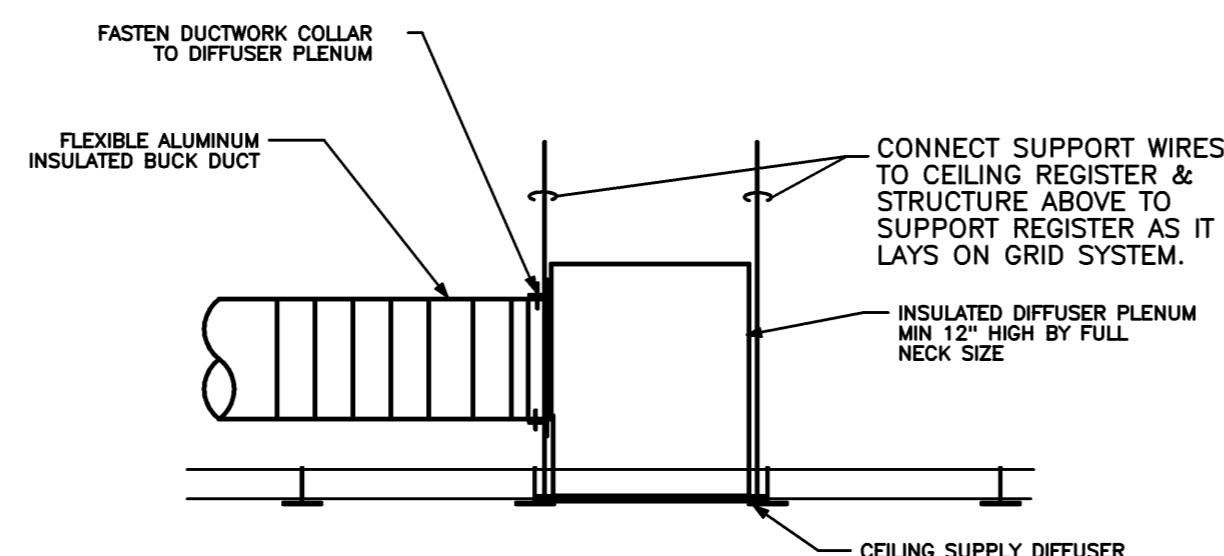
FIN TUBE RADIATION DETAIL
NO SCALE



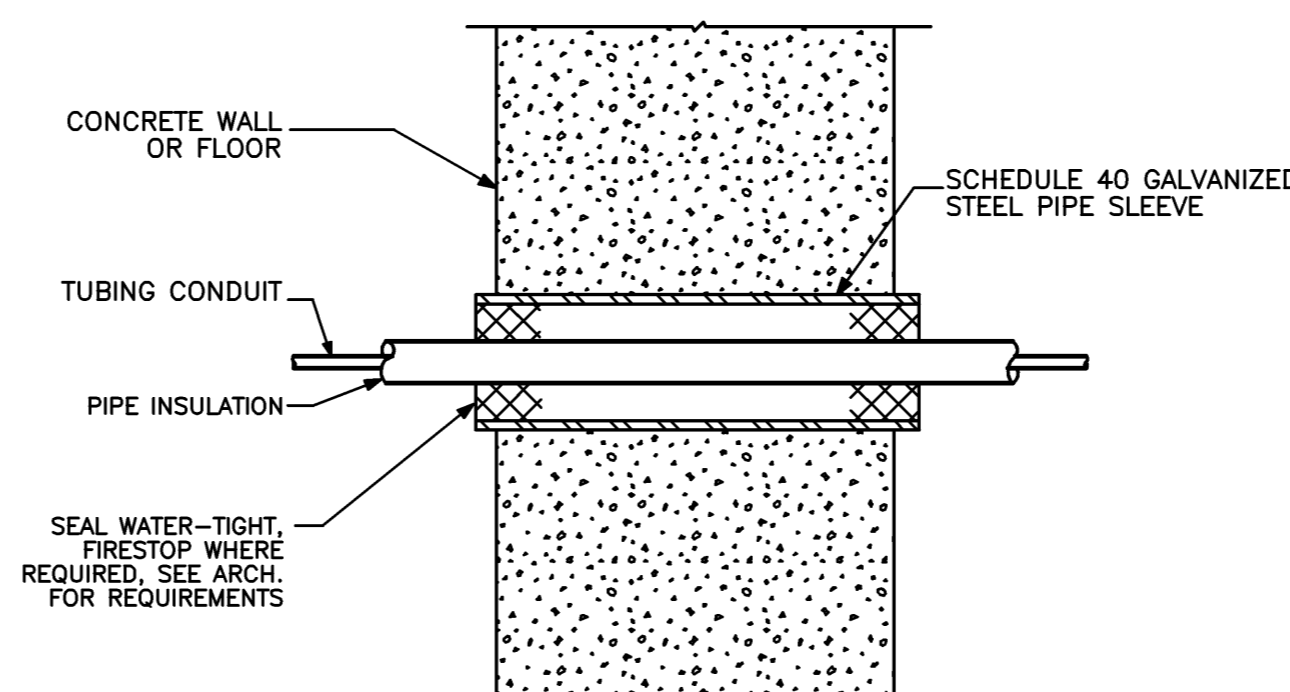
FIRE DAMPER ON WALL DETAIL
NO SCALE



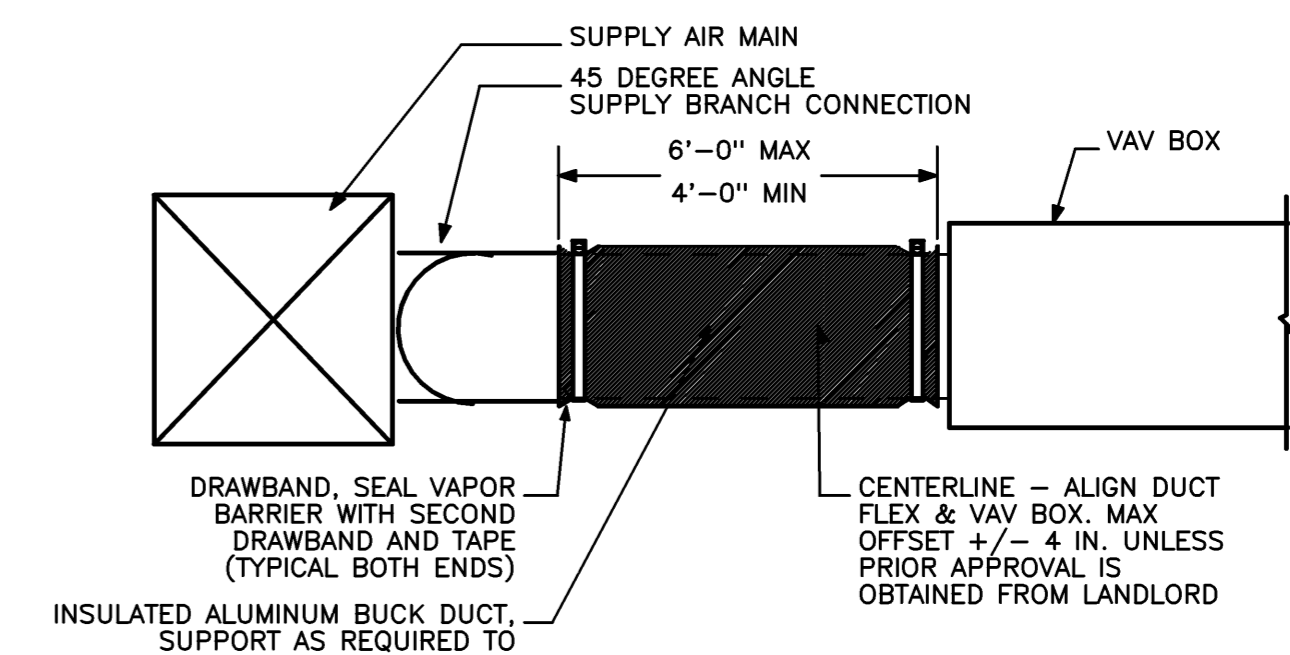
HOT WATER CABINET UNIT HEATER NO-CONTROL-VALVE PIPING DETAIL
NO SCALE



TYPICAL SUPPLY DIFFUSER PLENUM DETAIL
NO SCALE



TYPICAL WALL OR FLOOR SLEEVE DETAIL
NO SCALE

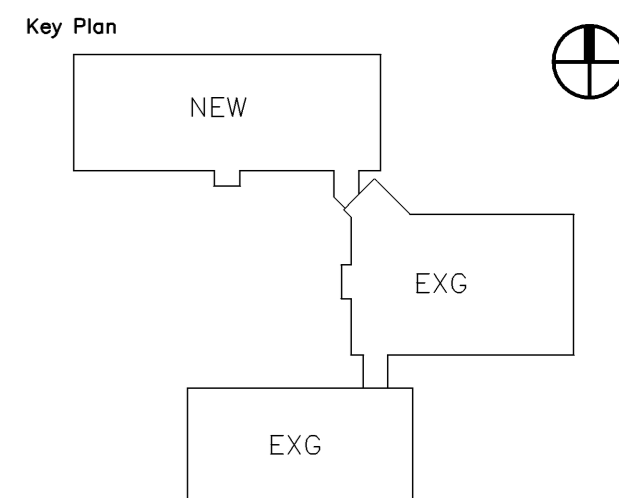


TYPICAL VAV BOX CONNECTION DETAIL
NO SCALE

Project Title
WOODARD & CURRAN OFFICE ADDITION

PORTLAND, MAINE

HA Project No. **05178**



Issue Dates	Description	
05-15-06	ISSUED FOR CONSTRUCTION	
03-14-06	FINAL REVIEW	
02-03-06	DD REVIEW	
Mark	Date	Description

Drawing Status

Drawing Title
DETAILS

PA / PE: **CG** Drawn By: **REM**

Drawing Number

M30.2