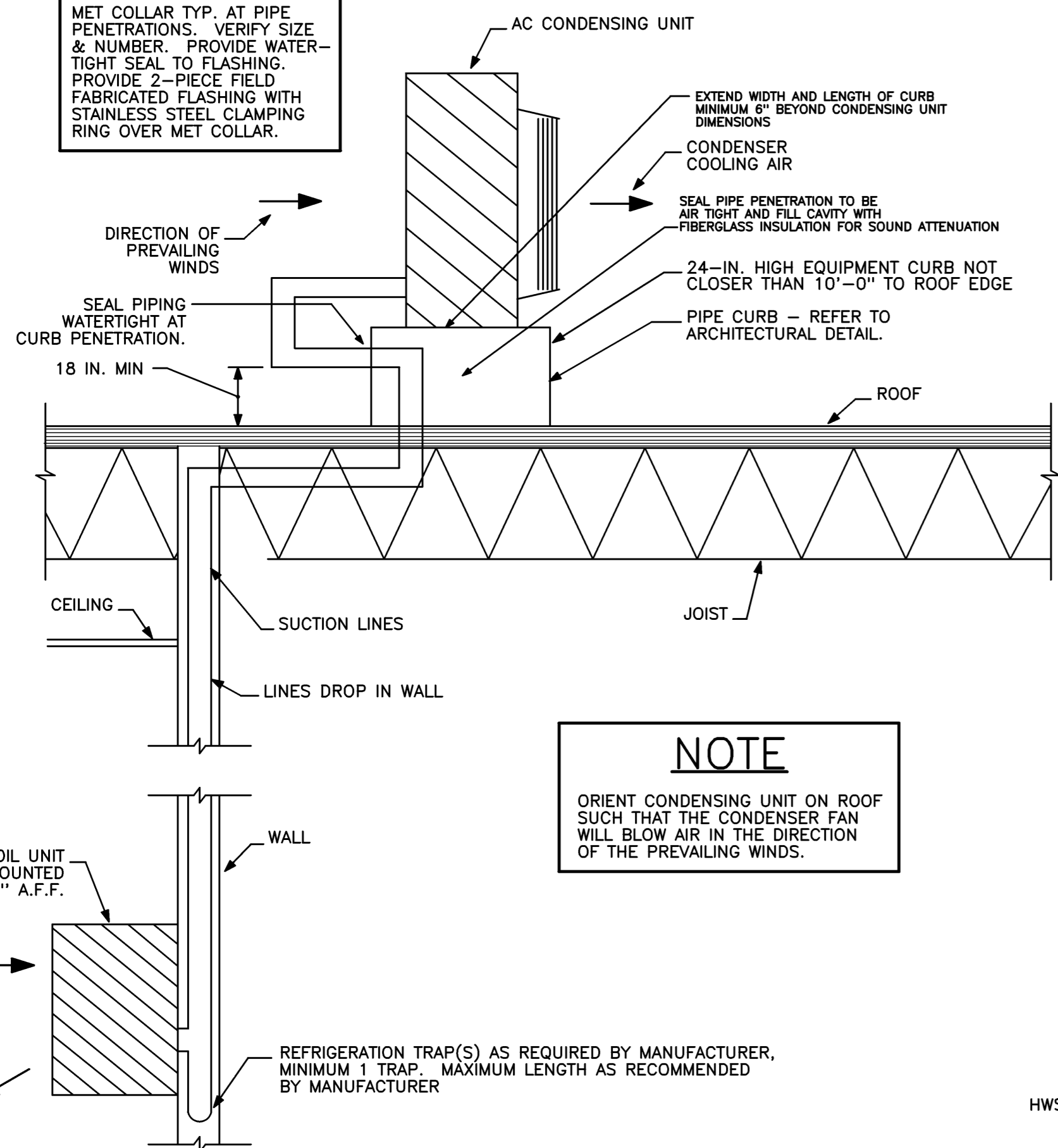
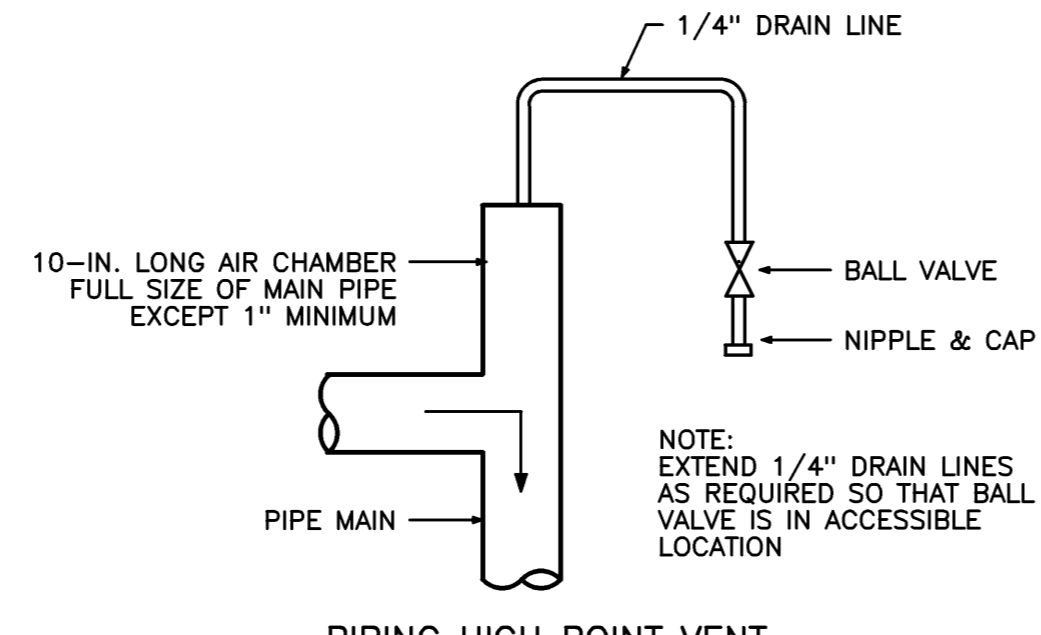


MET COLLAR TYP. AT PIPE PENETRATIONS. VERIFY SIZE & NUMBER. PROVIDE WATER-TIGHT SEAL TO FLASHING. PROVIDE 2-PIECE FIELD FABRICATED FLASHING WITH STAINLESS STEEL CLAMPING RING OVER MET COLLAR.

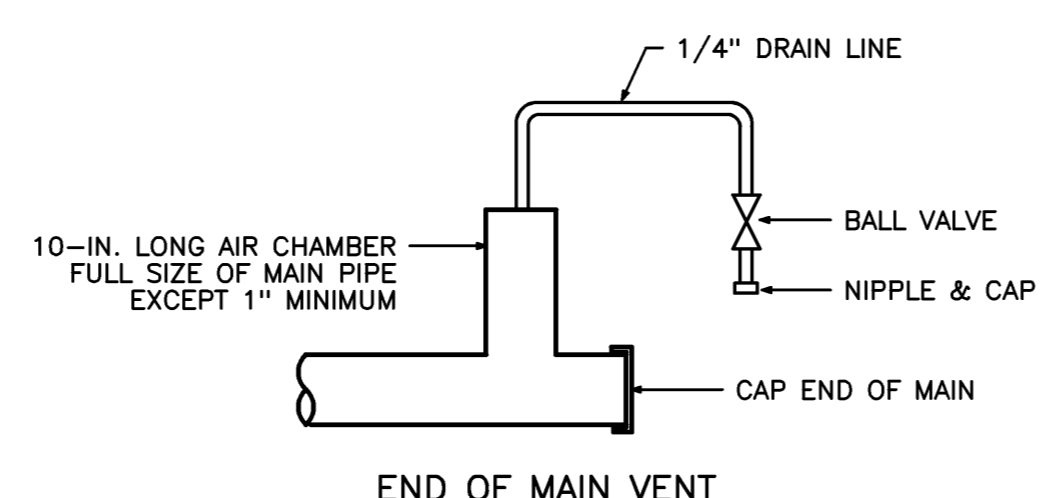


**NOTE**  
ORIENT CONDENSING UNIT ON ROOF SUCH THAT THE CONDENSER FAN WILL BLOW AIR IN THE DIRECTION OF THE PREVAILING WINDS.

**DATA ROOM AC UNIT DETAIL**

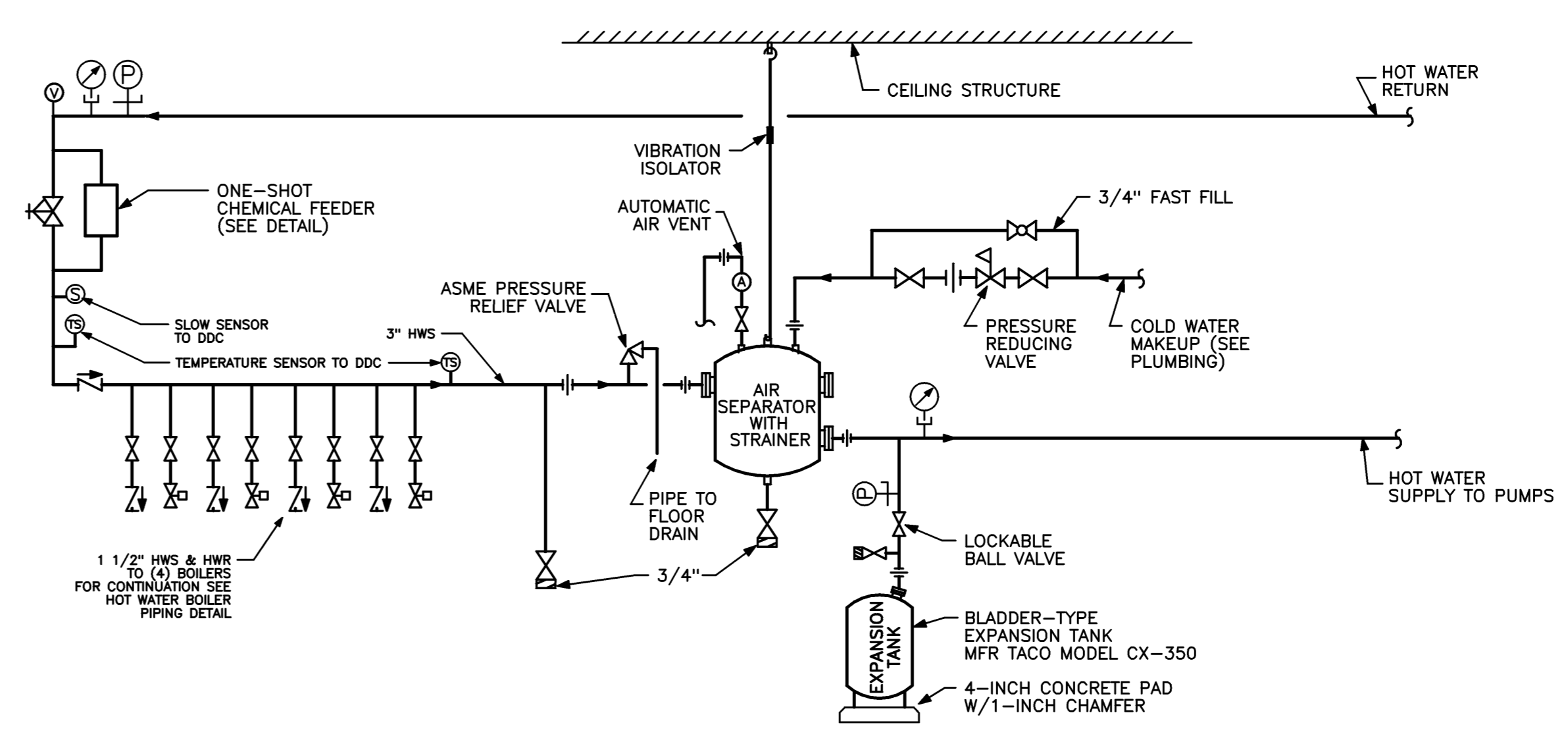


**PIPING HIGH POINT VENT**

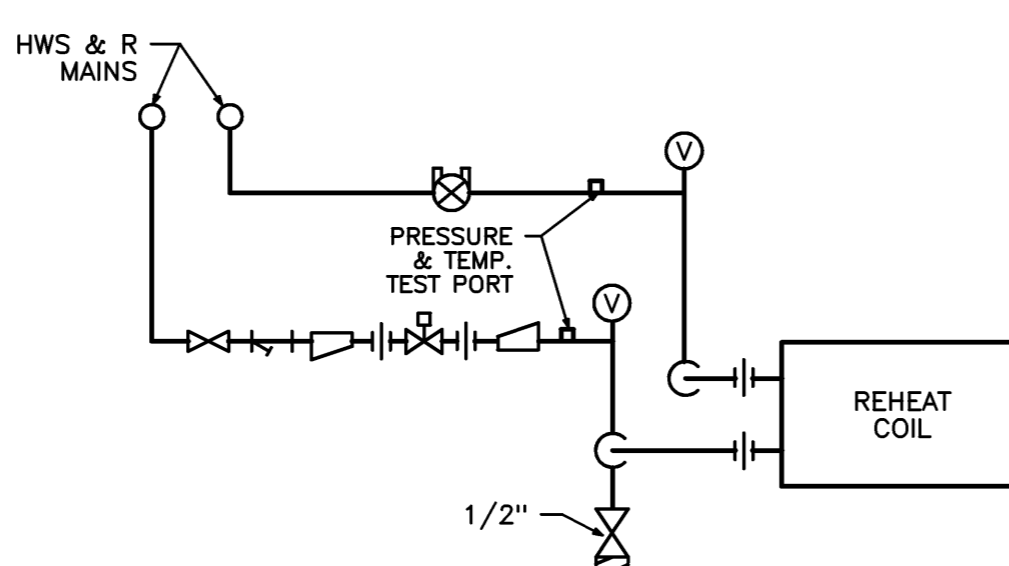


**END OF MAIN VENT**

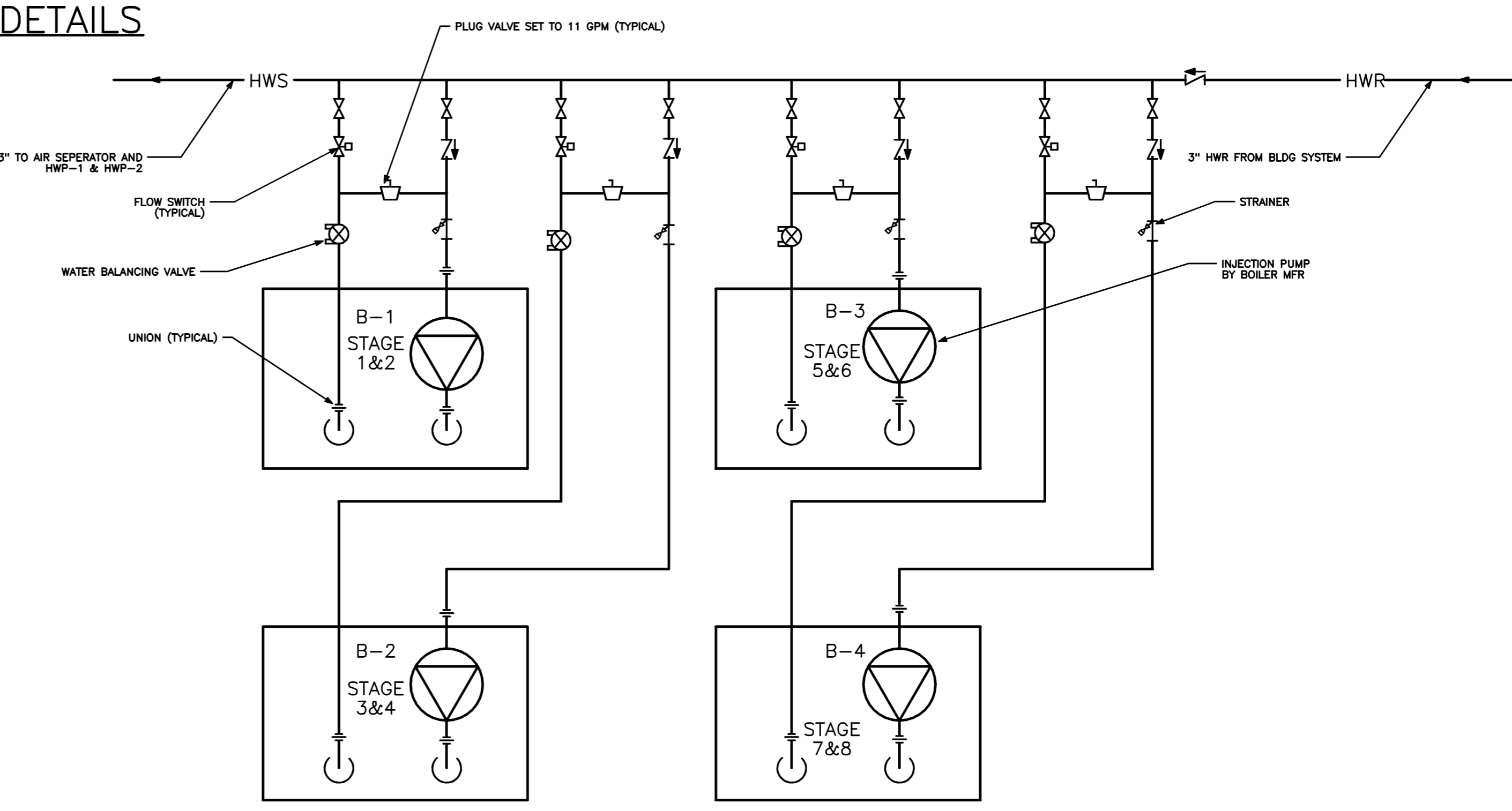
**MANUAL AIR VENT DETAILS**



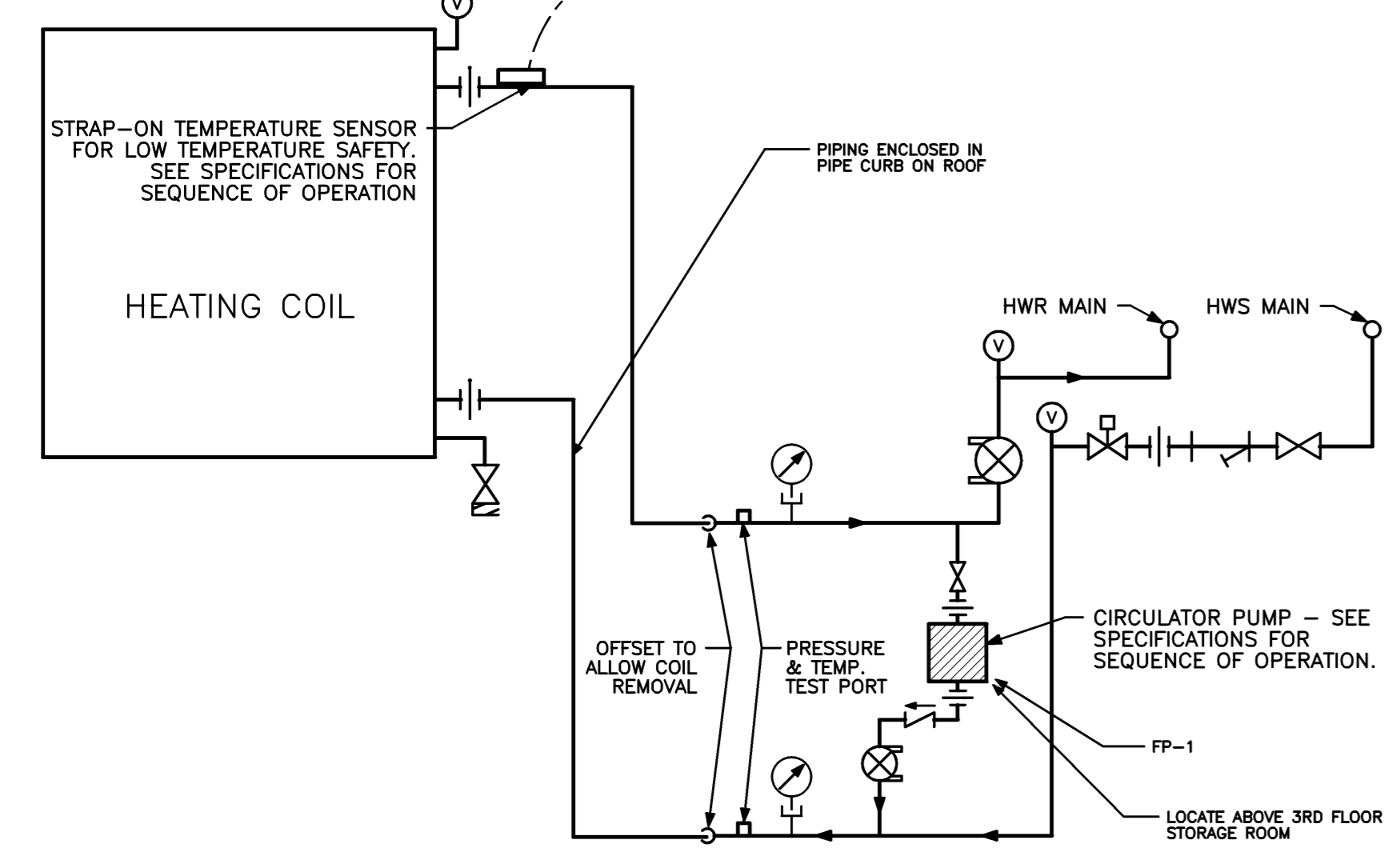
**AIR SEPARATOR HOT WATER PIPING DETAIL**



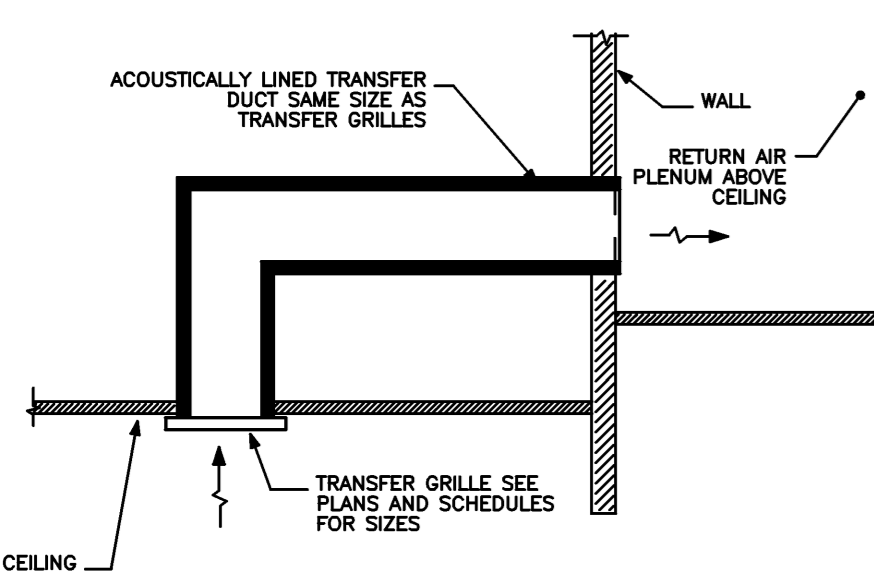
**2-WAY VALVE ARRANGEMENT**  
**HOT WATER REHEAT COIL PIPING DIAGRAM**



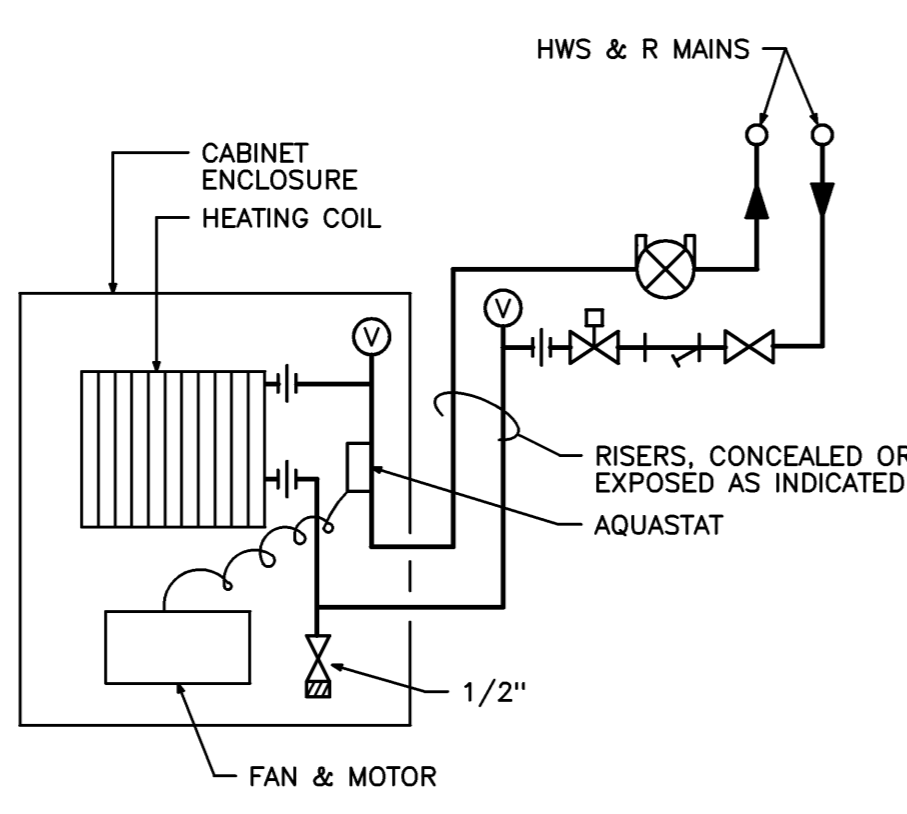
**HOT WATER BOILER PIPING DETAIL**



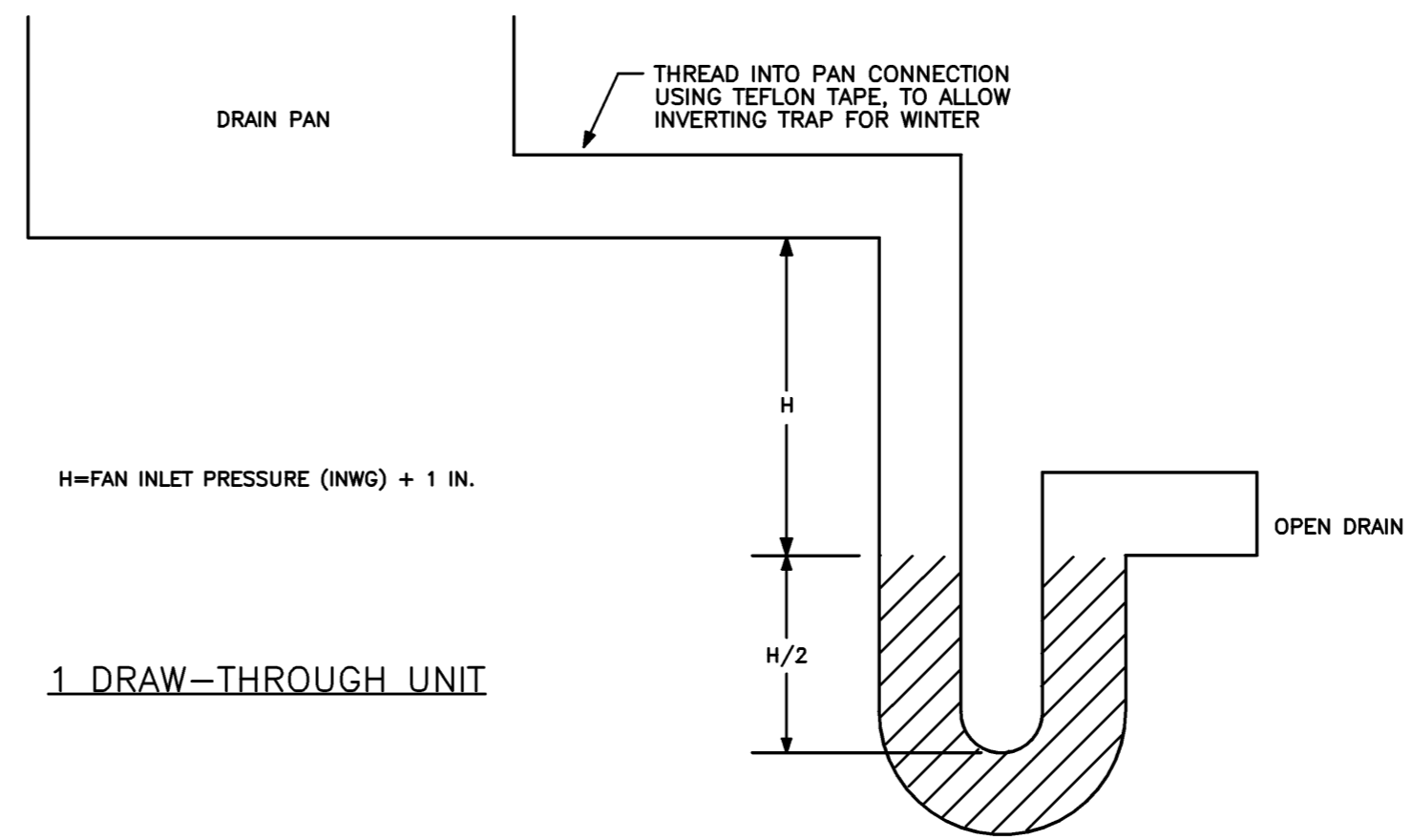
**RTU-1 PRE-HEATING COIL FREEZE PROTECTION PIPING DETAIL**



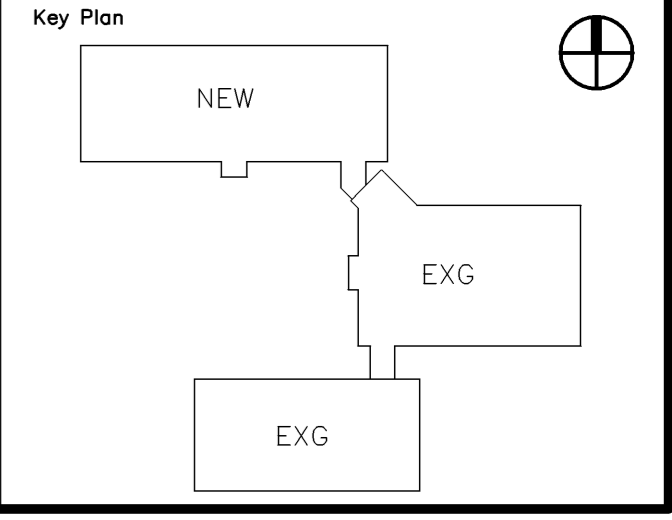
**TRANSFER DUCT DETAIL**



**HOT WATER CABINET UNIT HEATER 2-WAY VALVE PIPING DETAIL**



**CONDENSATE DRAIN TRAP DETAIL - ROOFTOP UNITS**






Mark	Date	Description

Drawing Title  
**DETAILS**

PA / PE: <b>CG</b>	Drawn By: <b>REM</b>
--------------------	----------------------

Drawing Number  
**M30.1**

PLOT DATE: May 15 2006 09:58:00 for /h/corp/05178/h\_p/n001.db/m50.dr by remor