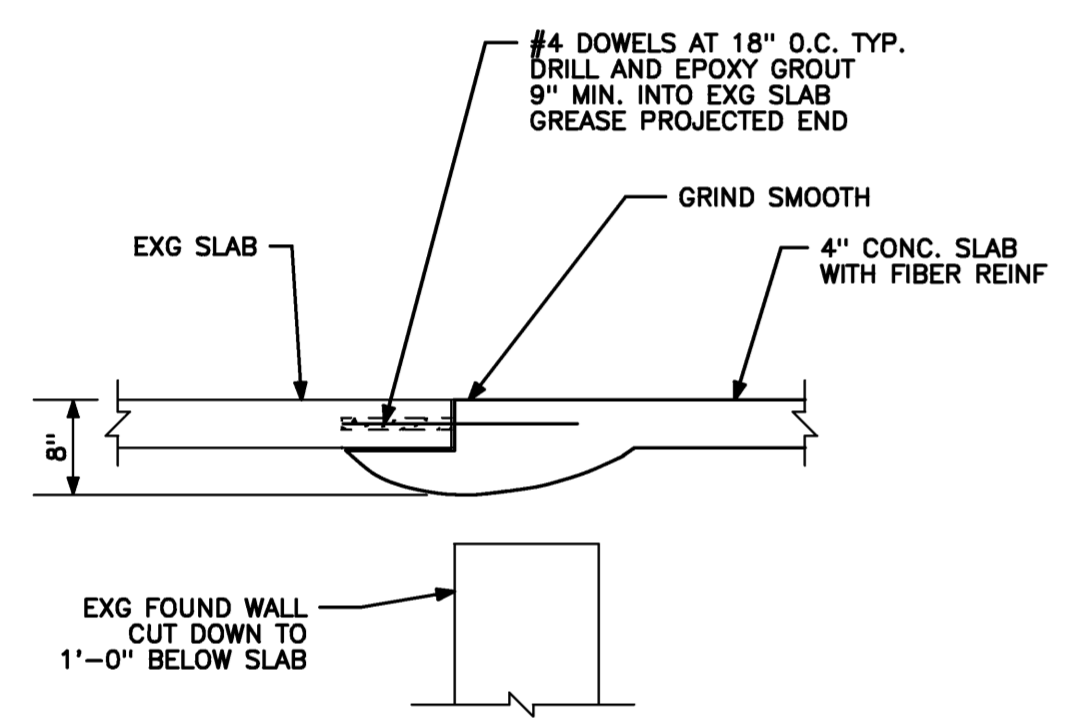
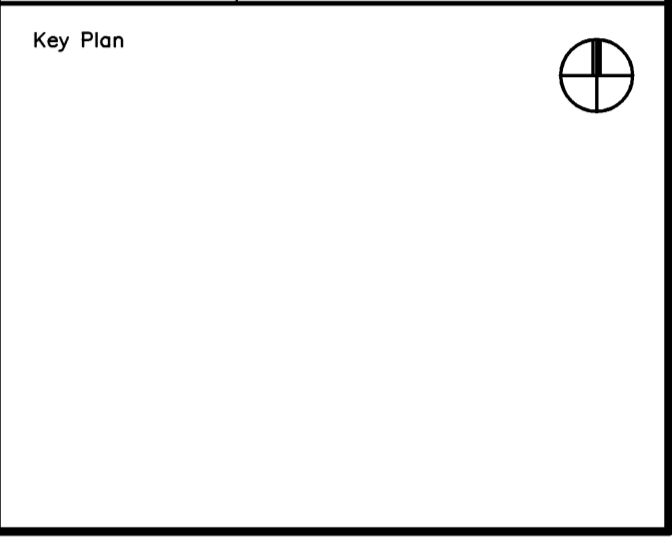


Project Title
**WOODARD & CURRAN
 OFFICE ADDITION**

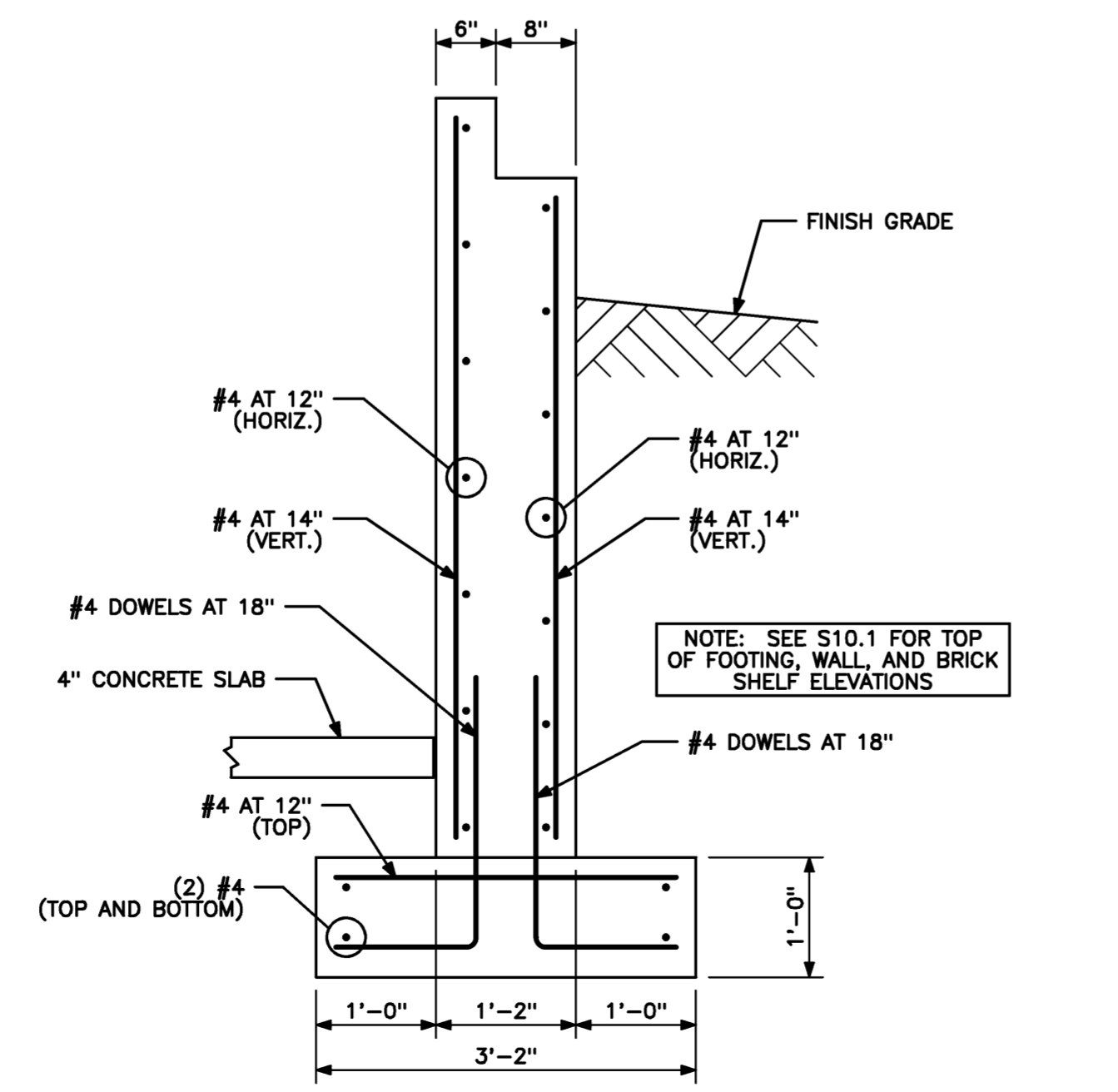
PORTLAND, MAINE

HA Project No. **05178**

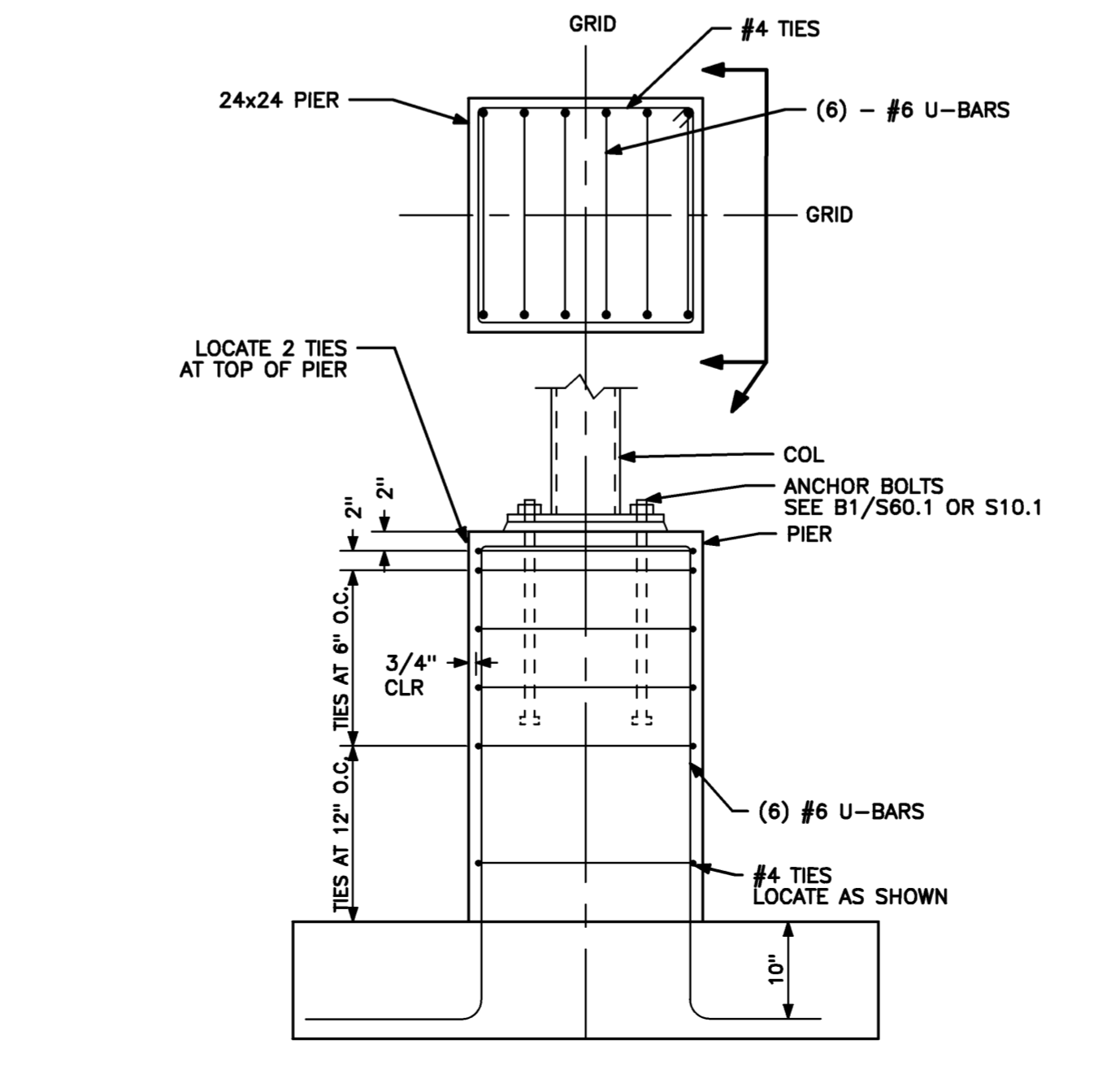


NEW SLAB TO EXG. SLAB
 (AT DEMO OF EXG FOUND. WALL)

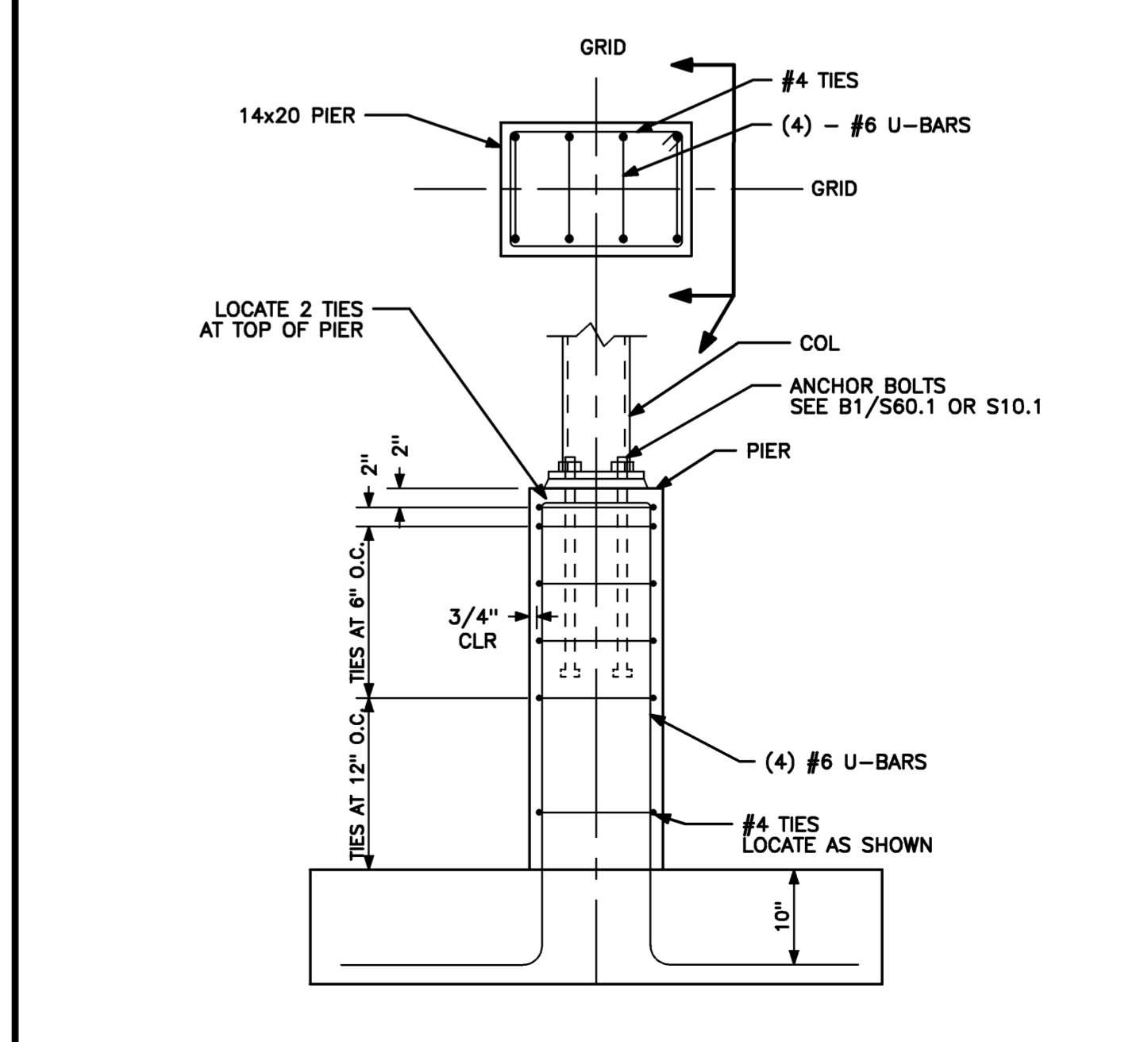
SECTION AT EXG FNDN WALL
 3/4" = 1'-0" 0 1/2" 1' 2" REF: S10.1 **B4**



SECTION
 3/4" = 1'-0" 0 1/2" 1' 2" REF: S10.1 **A3**



PIER P3 REINFORCING DETAILS
 3/4" = 1'-0" 0 1/2" 1' 2" REF: S10.1 **A2**



PIER P4 REINFORCING DETAILS
 3/4" = 1'-0" 0 1/2" 1' 2" REF: S10.1 **A1**

Mark	Date	Description
-	05-15-06	ISSUED FOR CONSTRUCTION
-	03-14-06	FINAL REVIEW

Issue Dates

Drawing Status

Drawing Title
FOUNDATION DETAILS

PA / PE: **JCF** Drawn By: **MRM**

Drawing Number

S50.3