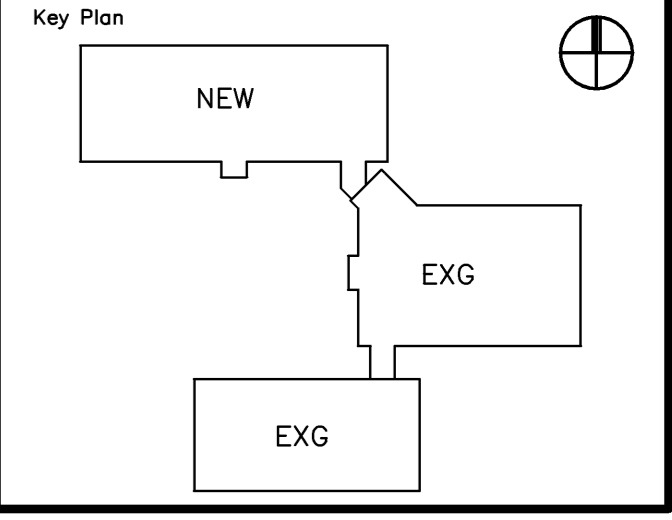


Project Title  
**WOODARD & CURRAN  
 OFFICE ADDITION**

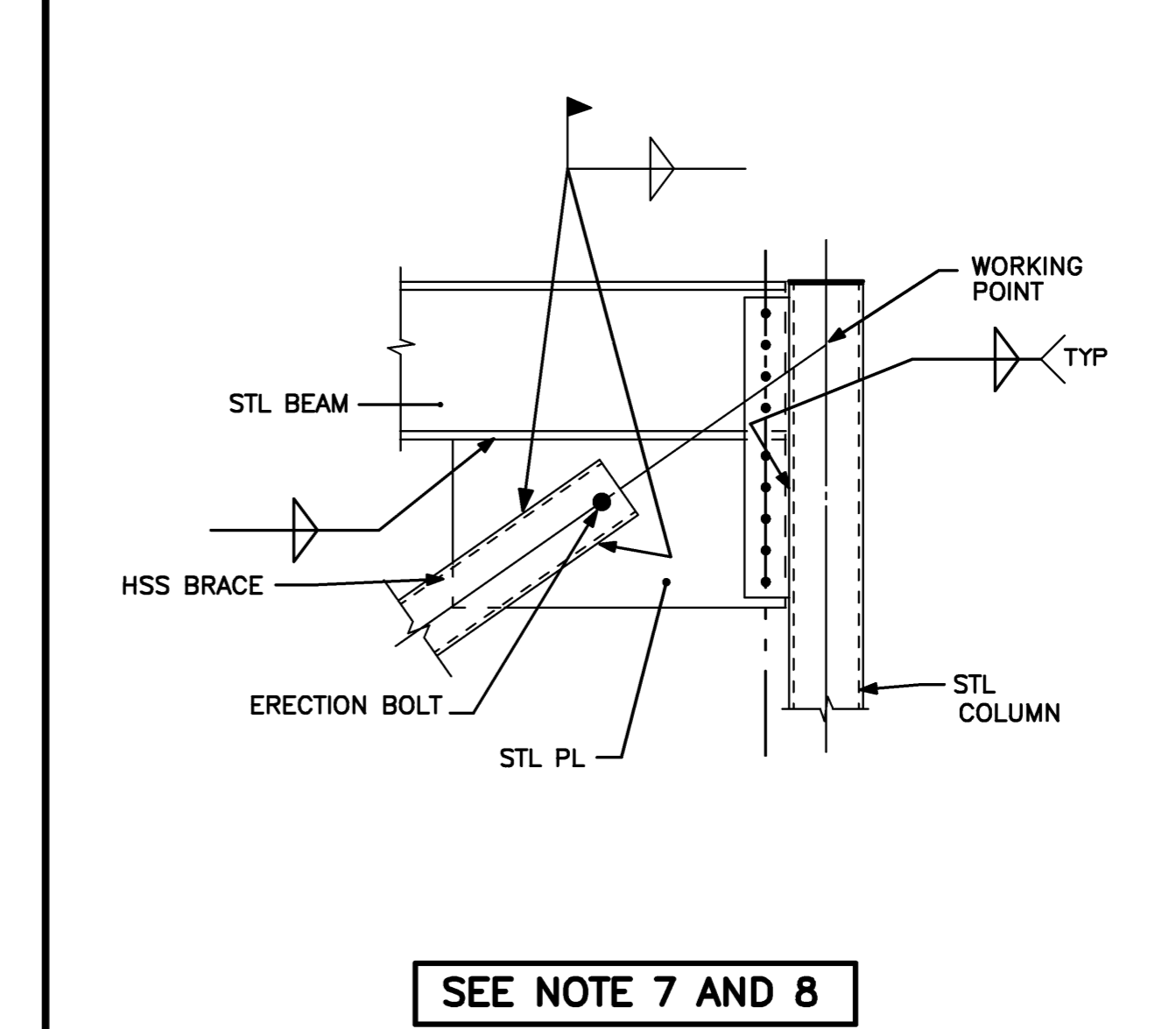
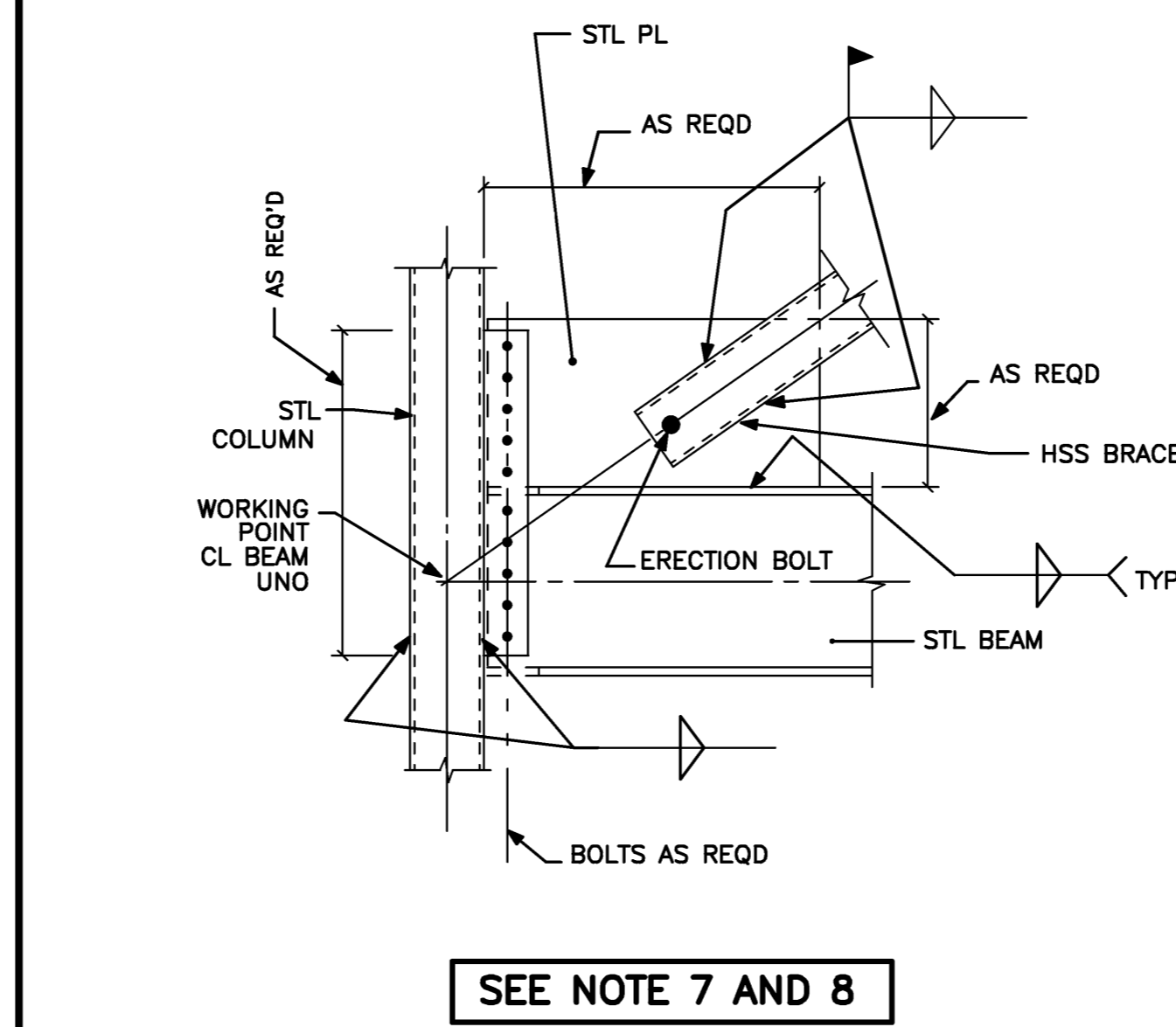
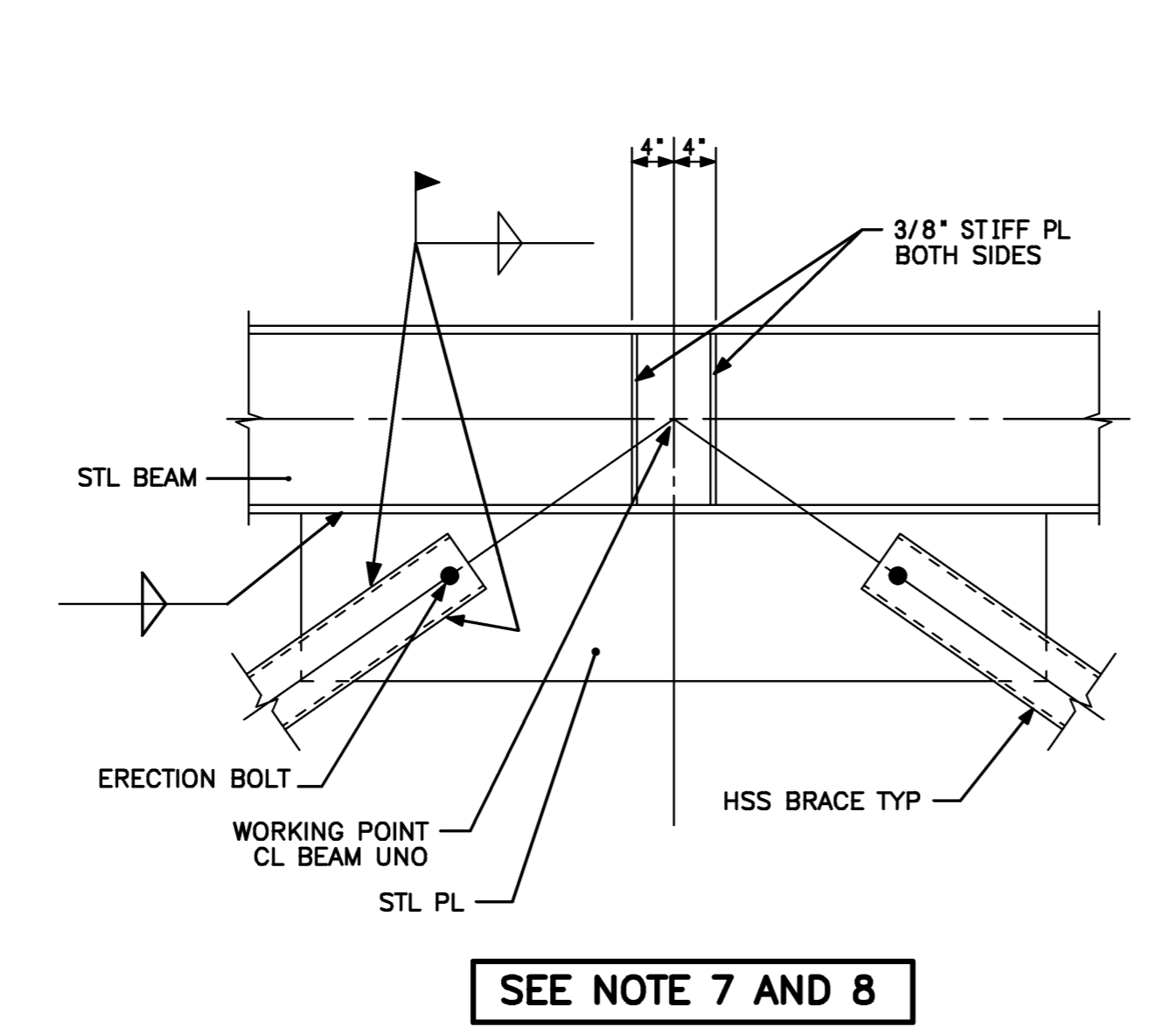
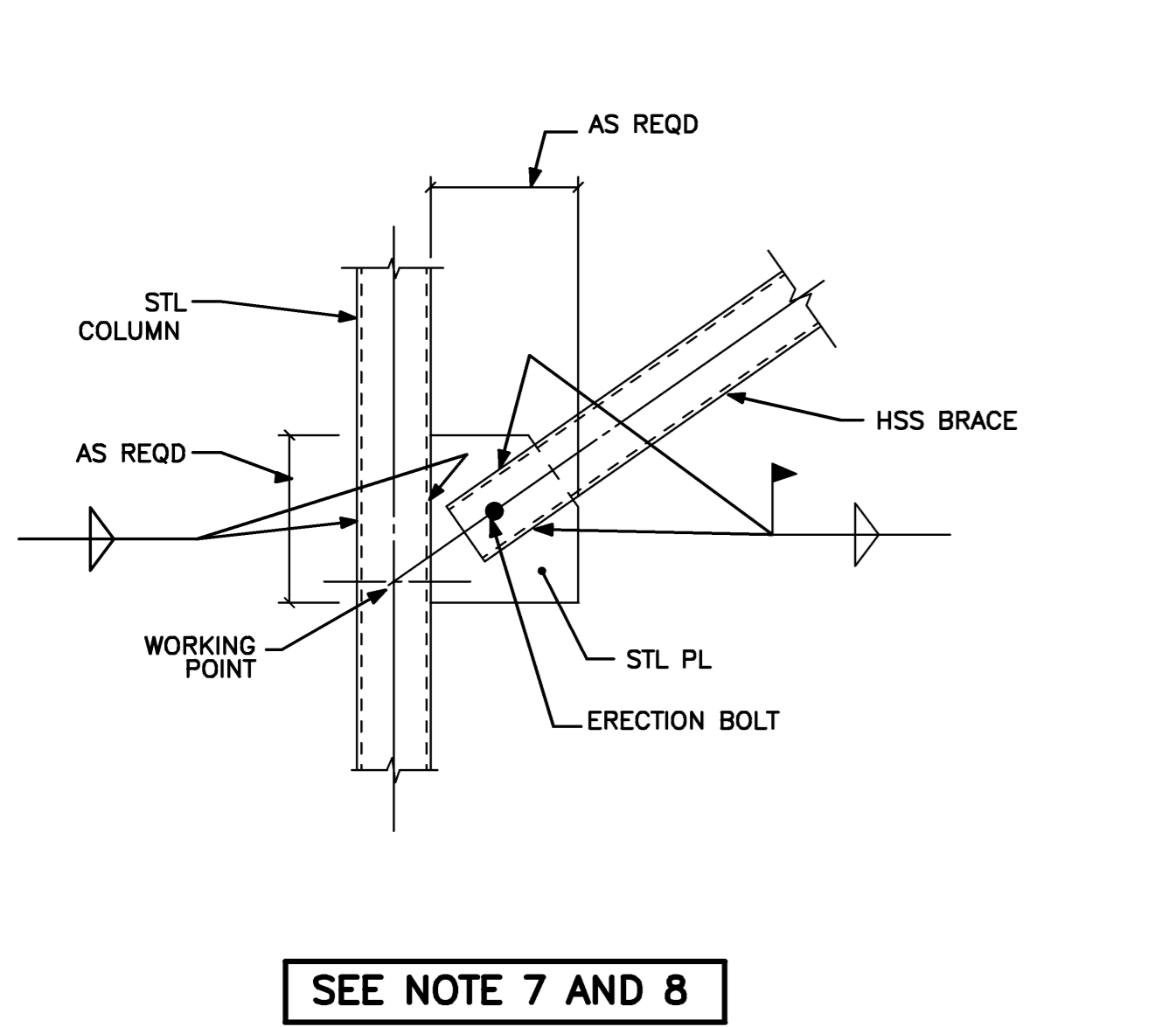
PORTLAND, MAINE

HA Project No. **05178**



TYPICAL BRACING NOTES (CONT'D):

- BUILDING HAS BEEN CLASSIFIED AS SEISMIC PERFORMANCE CATEGORY D. IT IS NECESSARY THAT BRACE CONNECTIONS ARE DESIGNED IN ACCORDANCE WITH AISC 341-02, SEISMIC PROVISIONS FOR STRUCTURAL STEEL BUILDINGS. PER AISC 341, THE REQUIRED STRENGTH OF THE BRACE CONNECTION IS THE EXPECTED TENSILE STRENGTH OF THE BRACE, DETERMINED AS  $R_y F_y A_g$ . CONNECTION DESIGN CALCULATIONS SUBMITTED WITH STRUCTURAL STEEL SHOP DRAWINGS MUST CLEARLY SHOW THAT CONNECTION DESIGN MEETS THE REQUIREMENTS OF AISC 341.

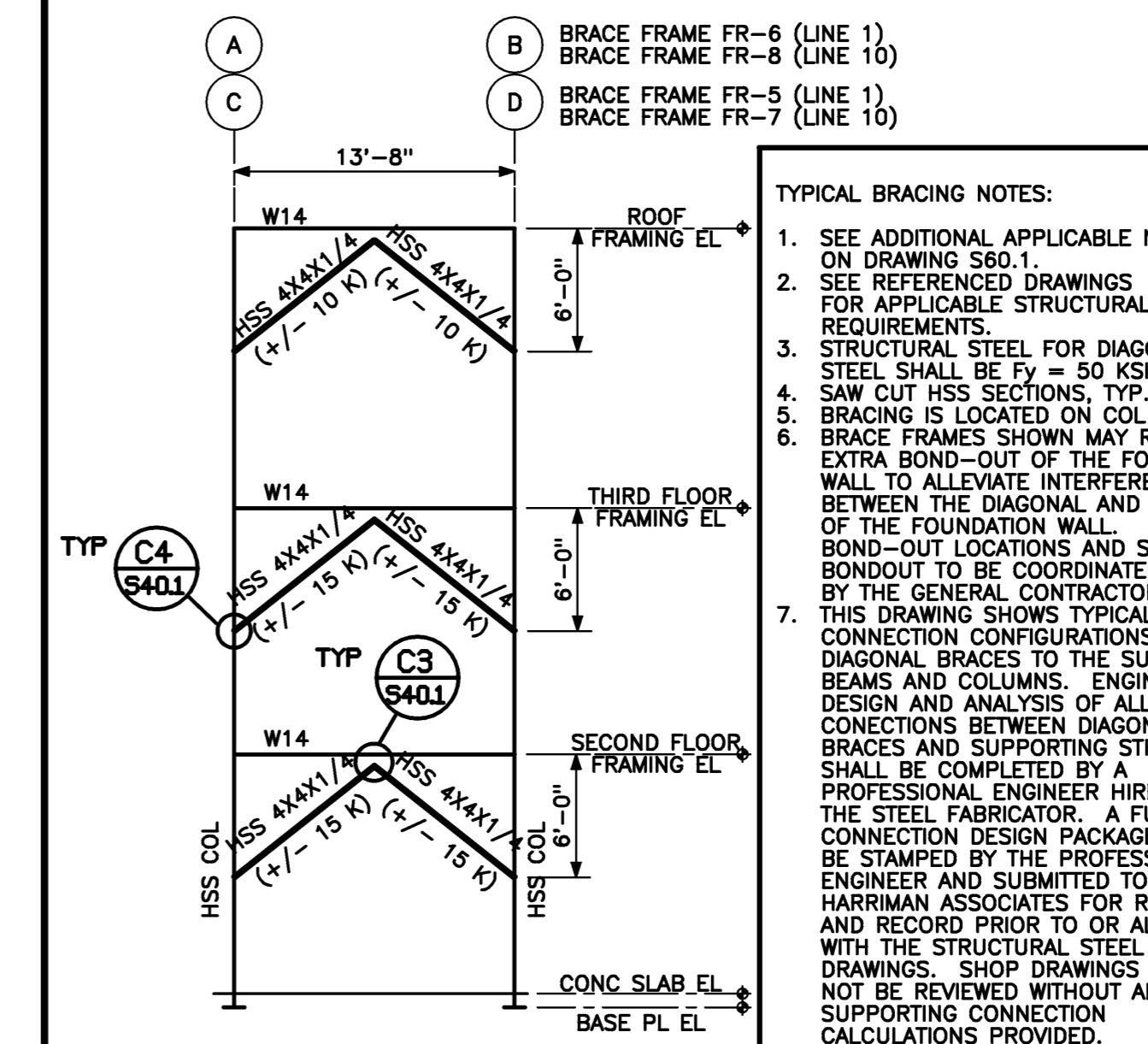
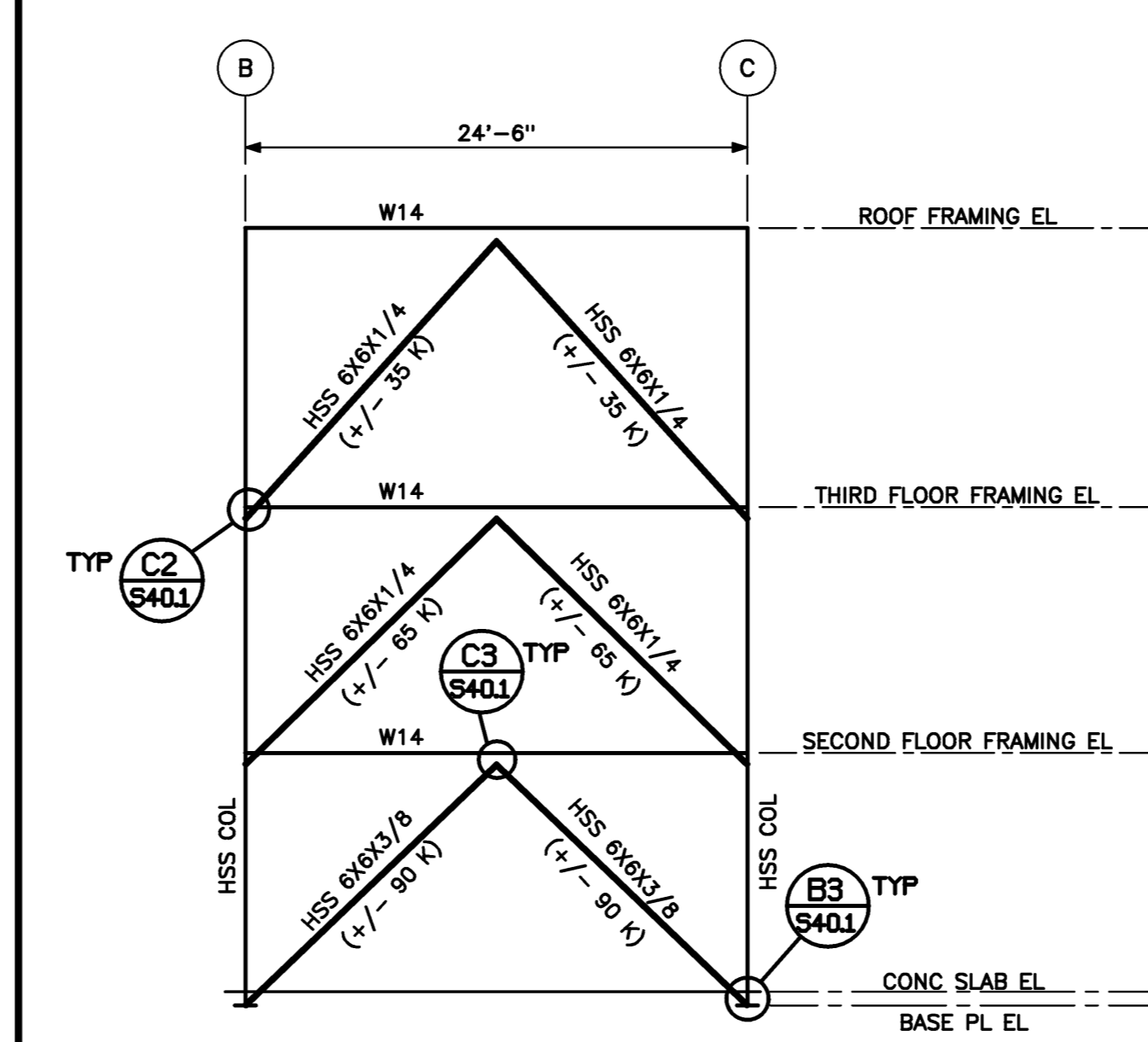
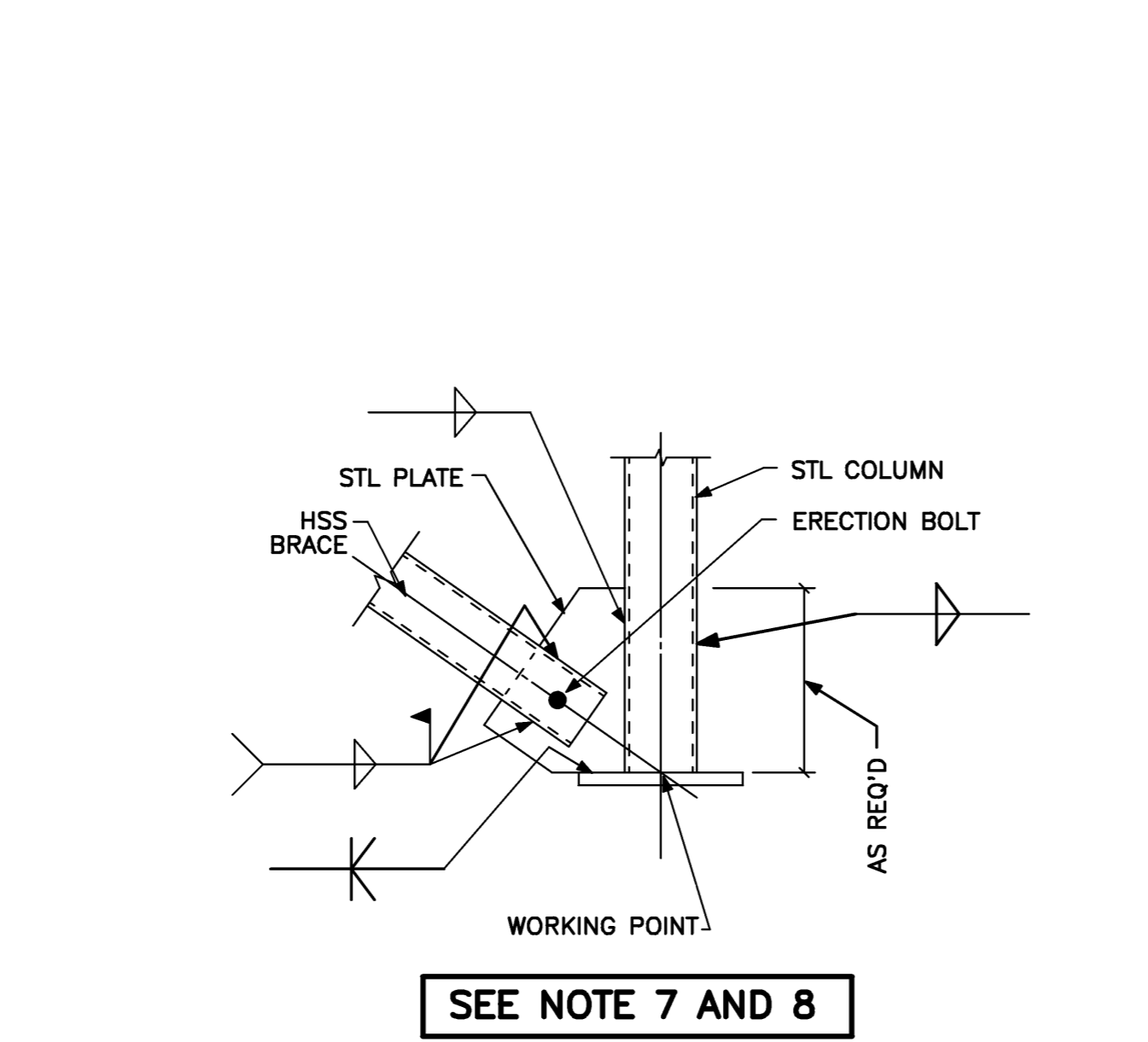
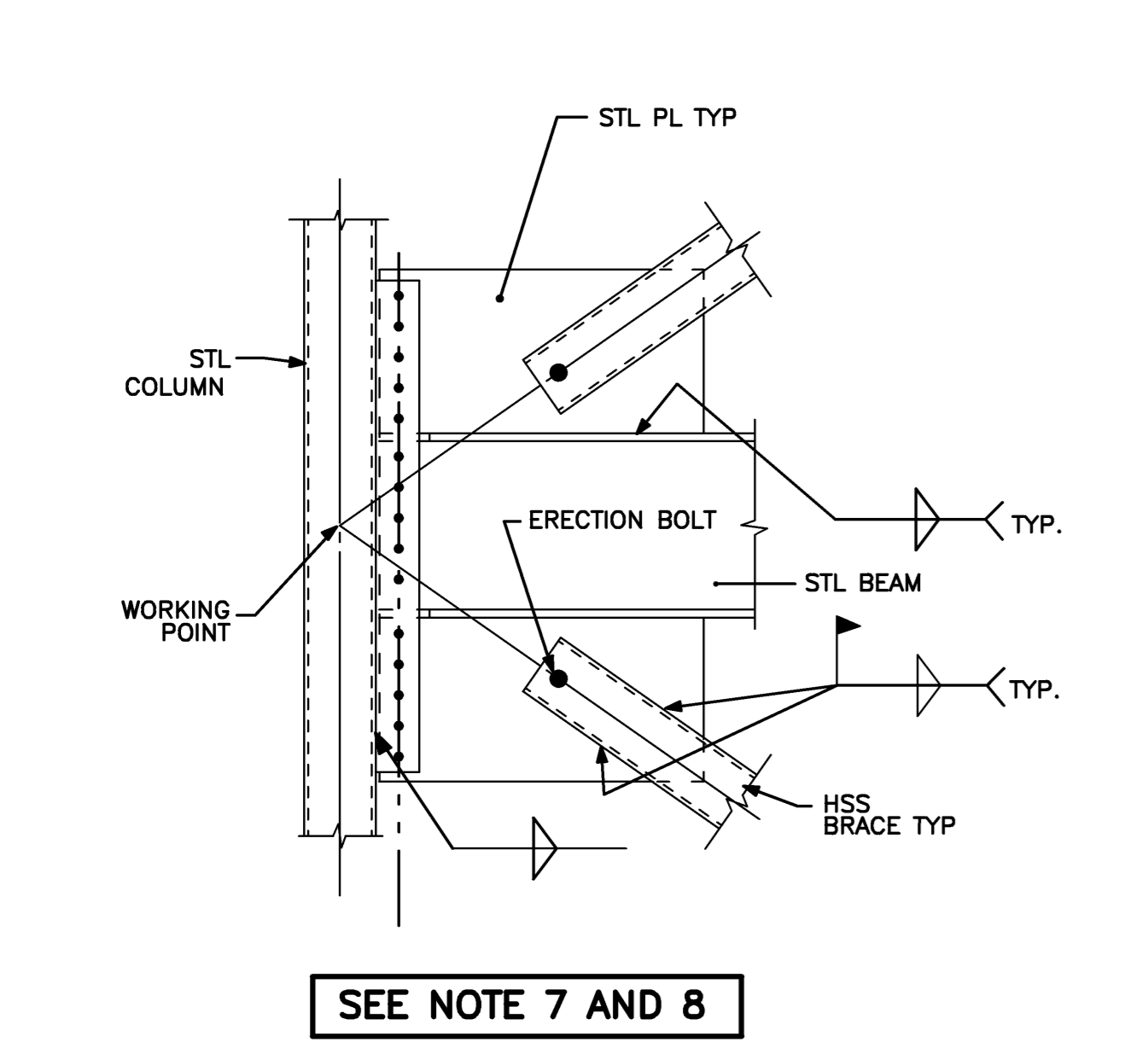


**BRACE DETAIL**  
 NOT TO SCALE REF: S40.1 **C4**

**BRACE DETAIL**  
 NOT TO SCALE REF: S40.1 **C3**

**BRACE DETAIL**  
 NOT TO SCALE REF: S40.1 **C2**

**BRACE DETAIL**  
 NOT TO SCALE REF: S40.1 **C1**

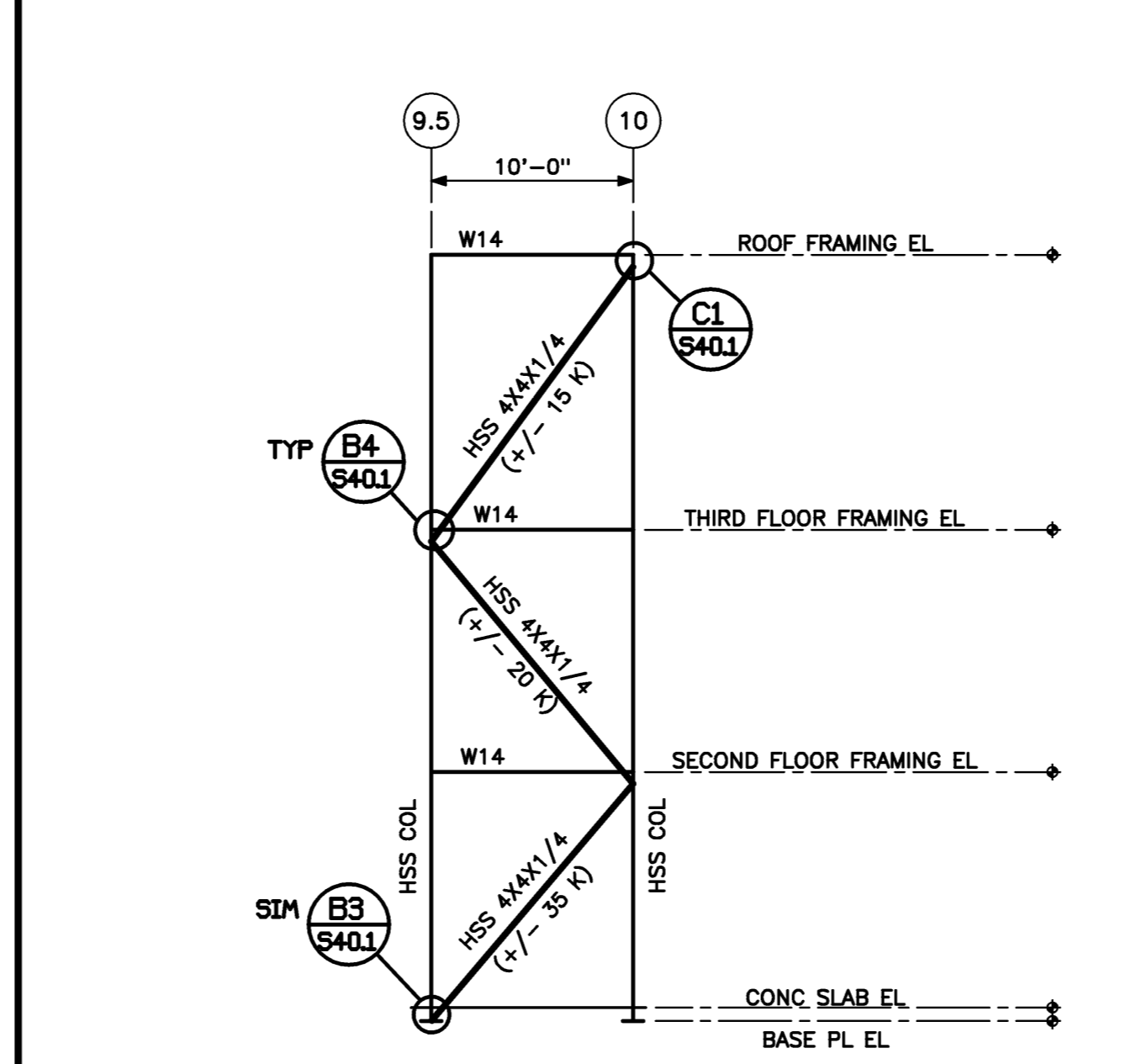
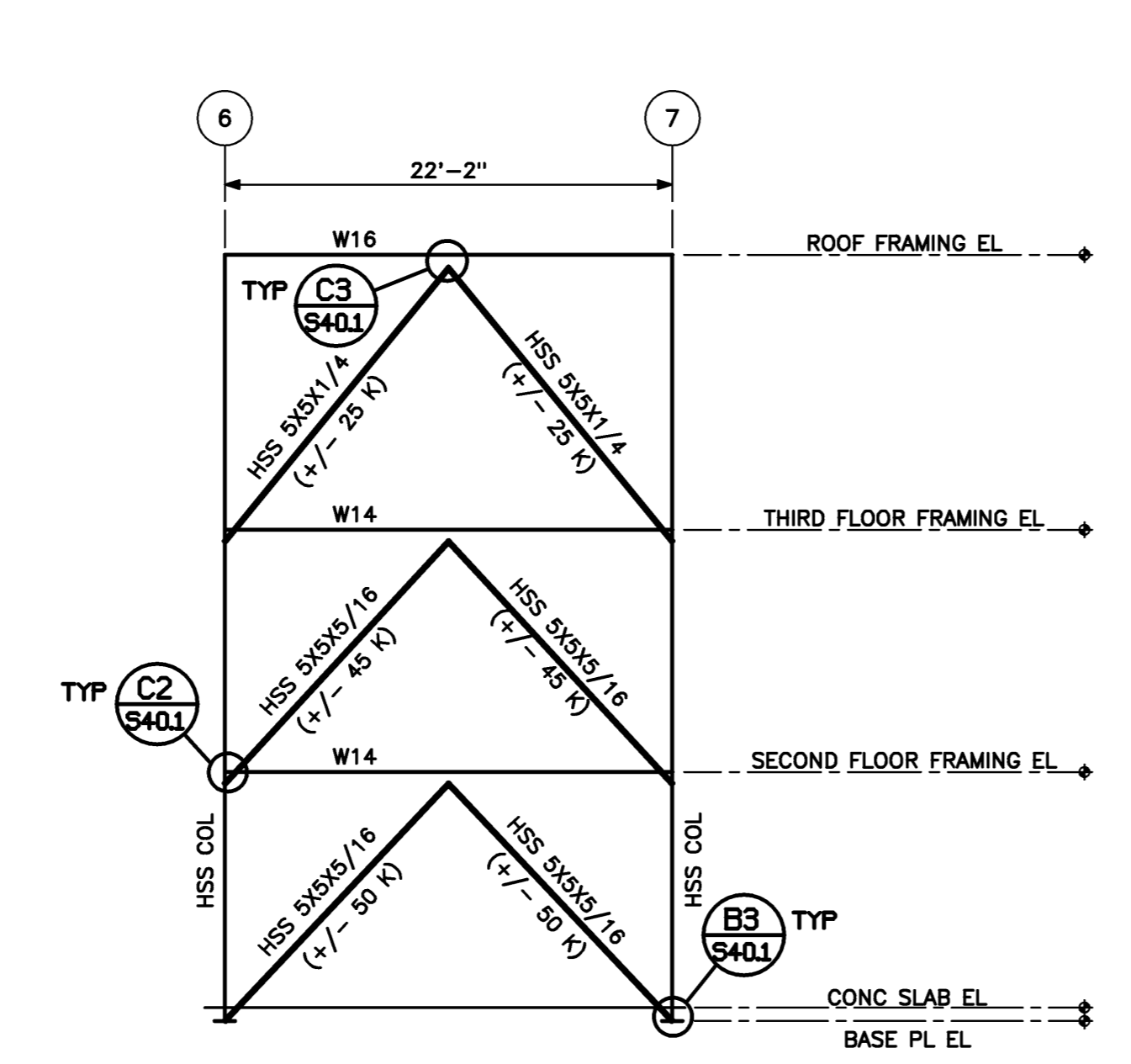
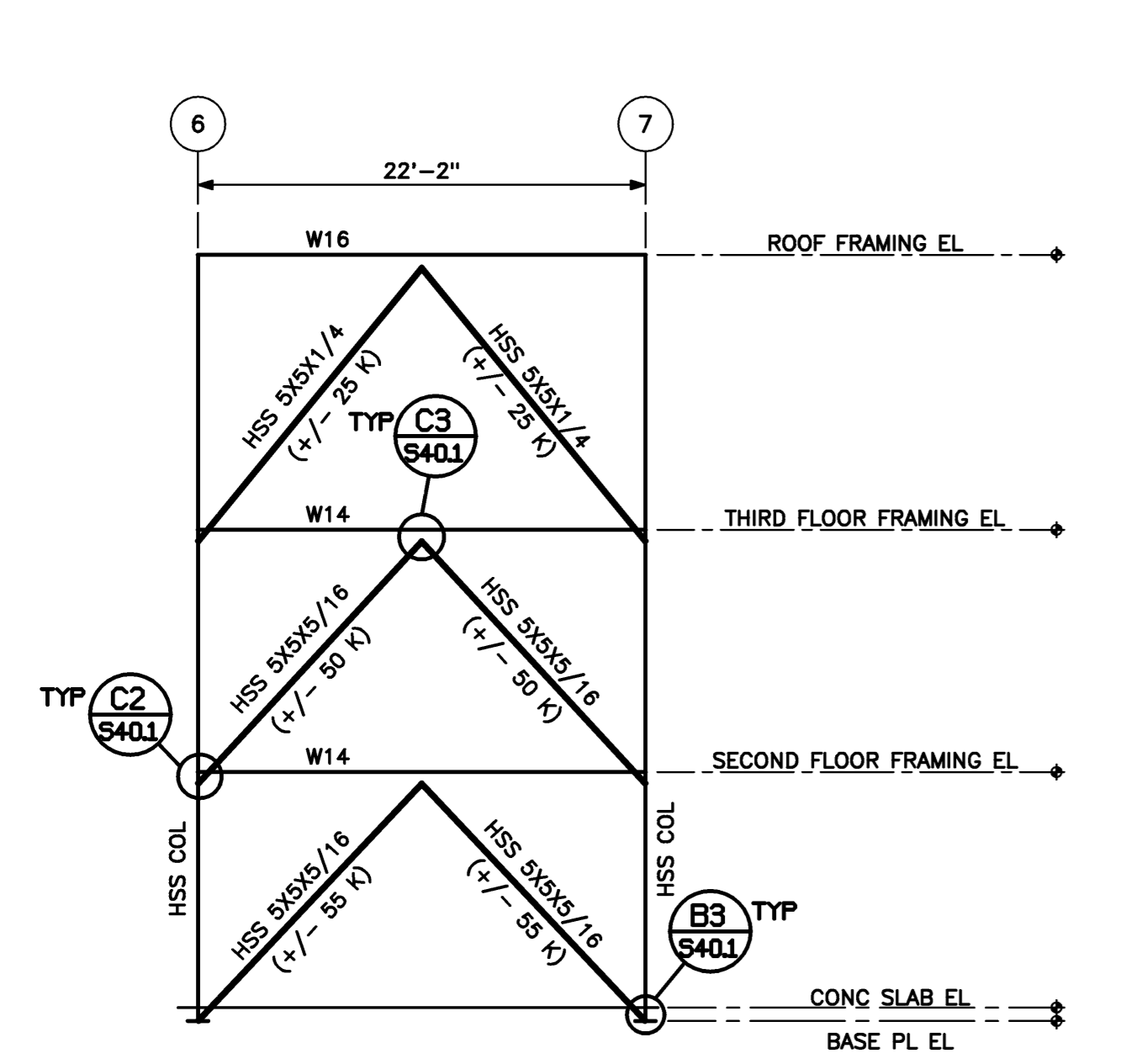


**BRACE DETAIL**  
 NOT TO SCALE REF: S40.1 **B4**

**BRACE DETAIL**  
 NOT TO SCALE REF: S40.1 **B3**

**BRACE FRAME FR-9 (LINE 6)**  
 1/8" = 1'-0" REF: S20.1, S20.2, S30.1 **B2**

**BRACE FRAMES FR-5, FR-6, FR-7, FR-8**  
 1/8" = 1'-0" REF: S20.1, S20.2, S30.1 **B1**



**BRACE FRAME FR-4 (LINE B)**  
 1/8" = 1'-0" REF: S20.1, S20.2, S30.1 **A4**

**BRACE FRAME FR-3 (LINE C)**  
 1/8" = 1'-0" REF: S20.1, S20.2, S30.1 **A3**

**BRACE FRAME FR-2 (LINE D)**  
 1/8" = 1'-0" REF: S20.1, S20.2, S30.1 **A2**

Mark	Date	Description
-	05-15-06	ISSUED FOR CONSTRUCTION
-	03-14-06	FINAL REVIEW

Issue Dates

Drawing Status

Drawing Title  
**BRACE FRAME  
 ELEVATIONS  
 AND DETAILS**

PA / PE: JCF Drawn By: SJF

Drawing Number

**S40.1**