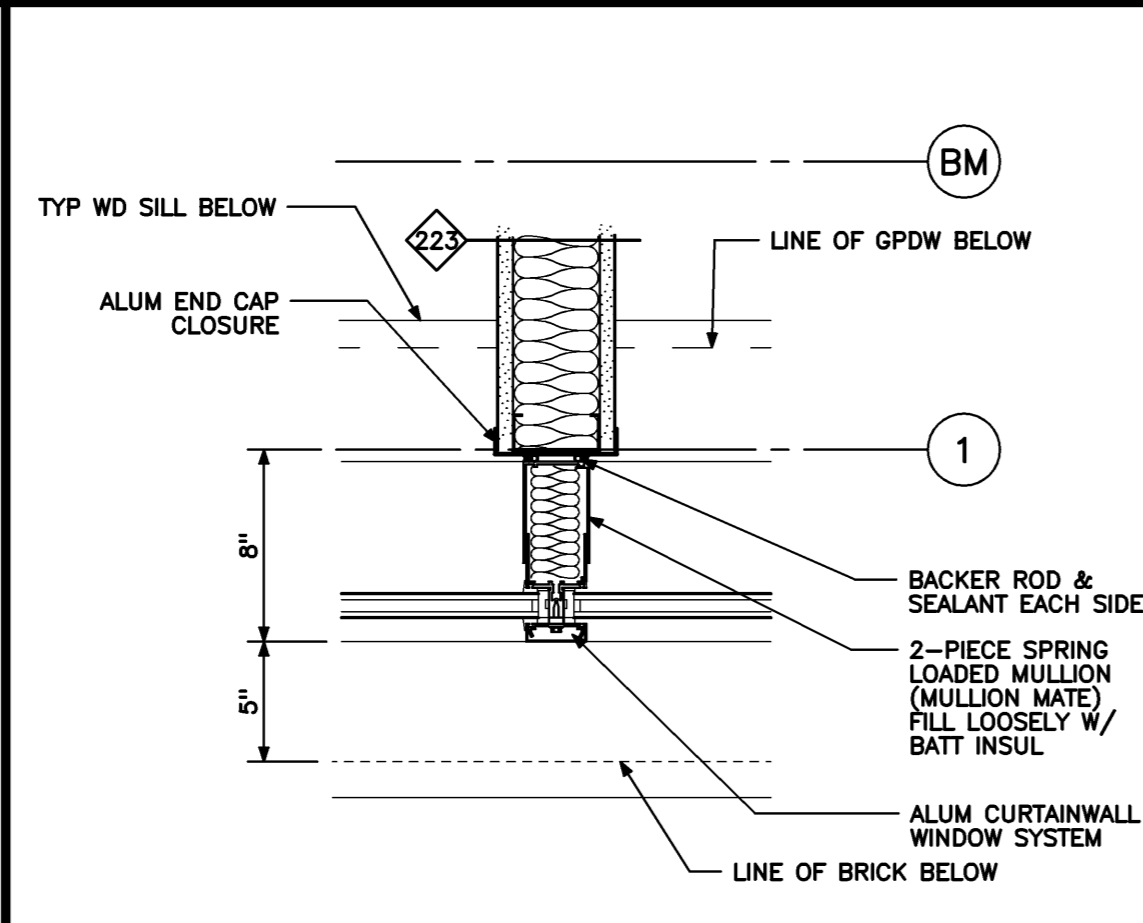
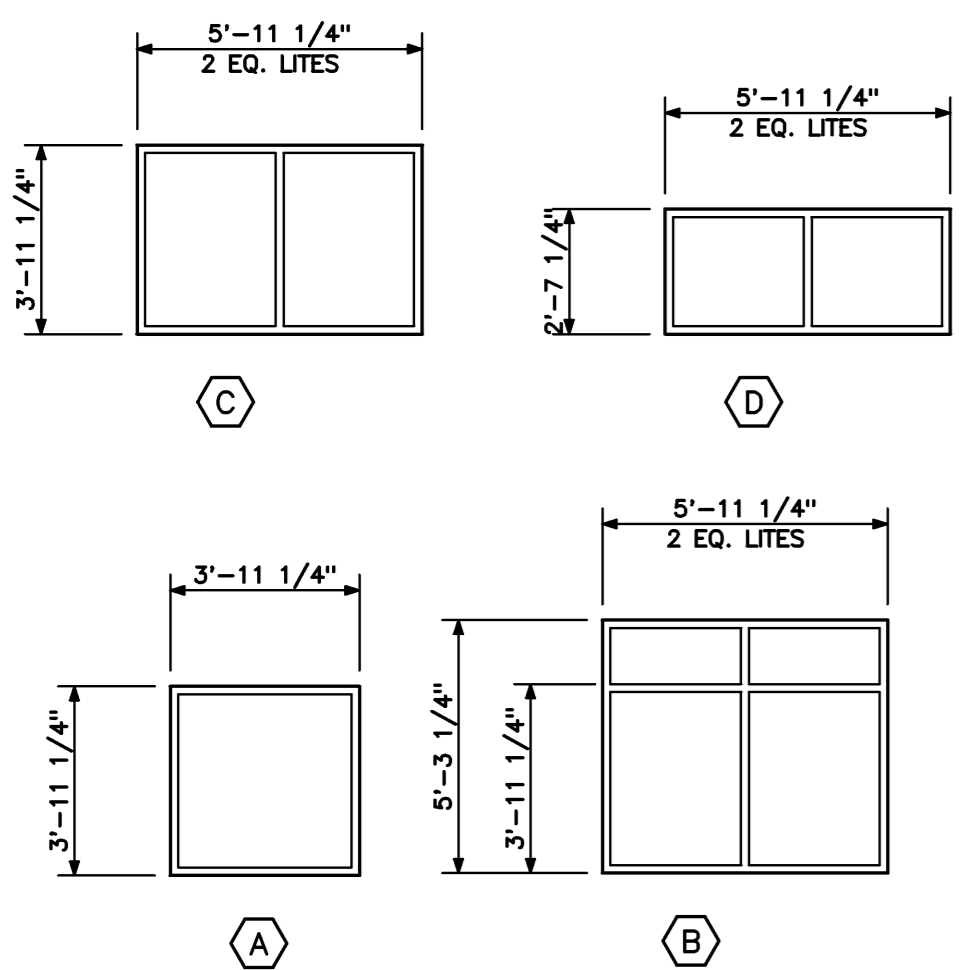
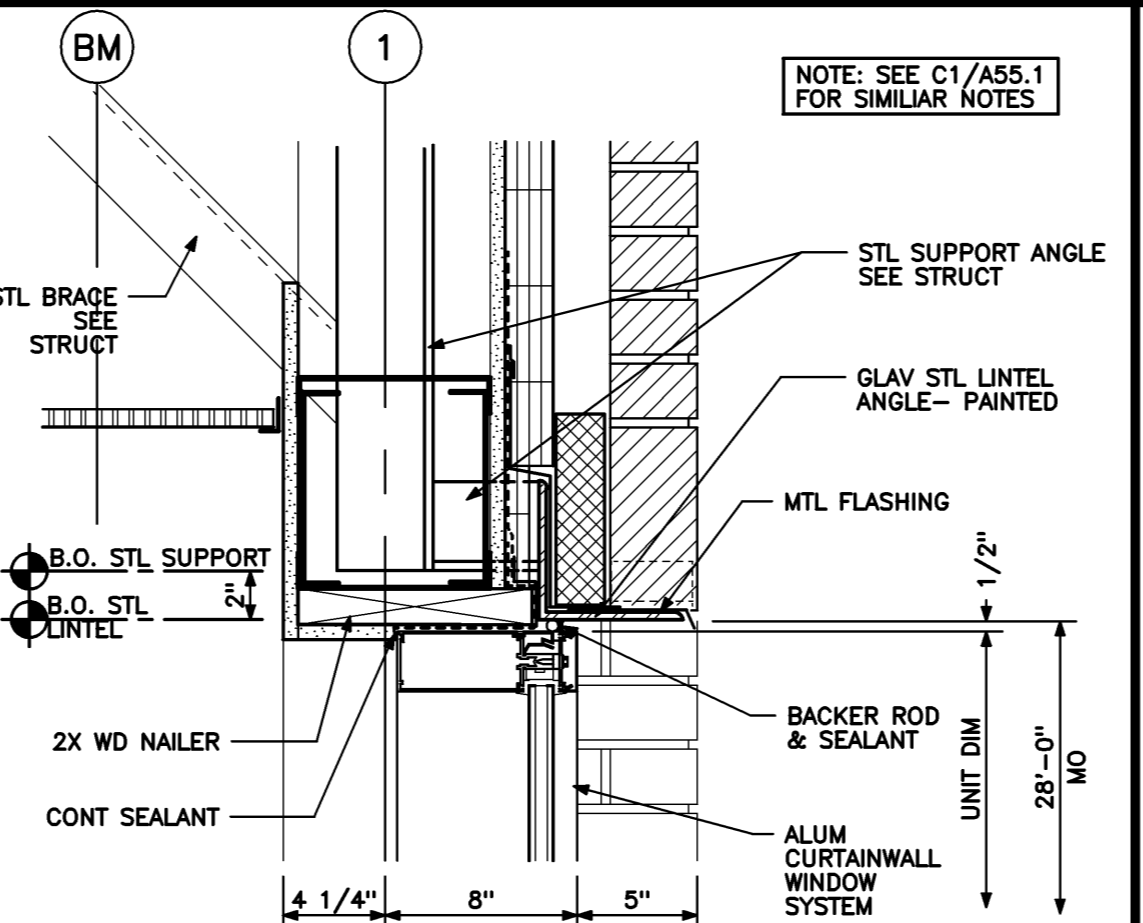


ALUMINUM CURTAINWALL

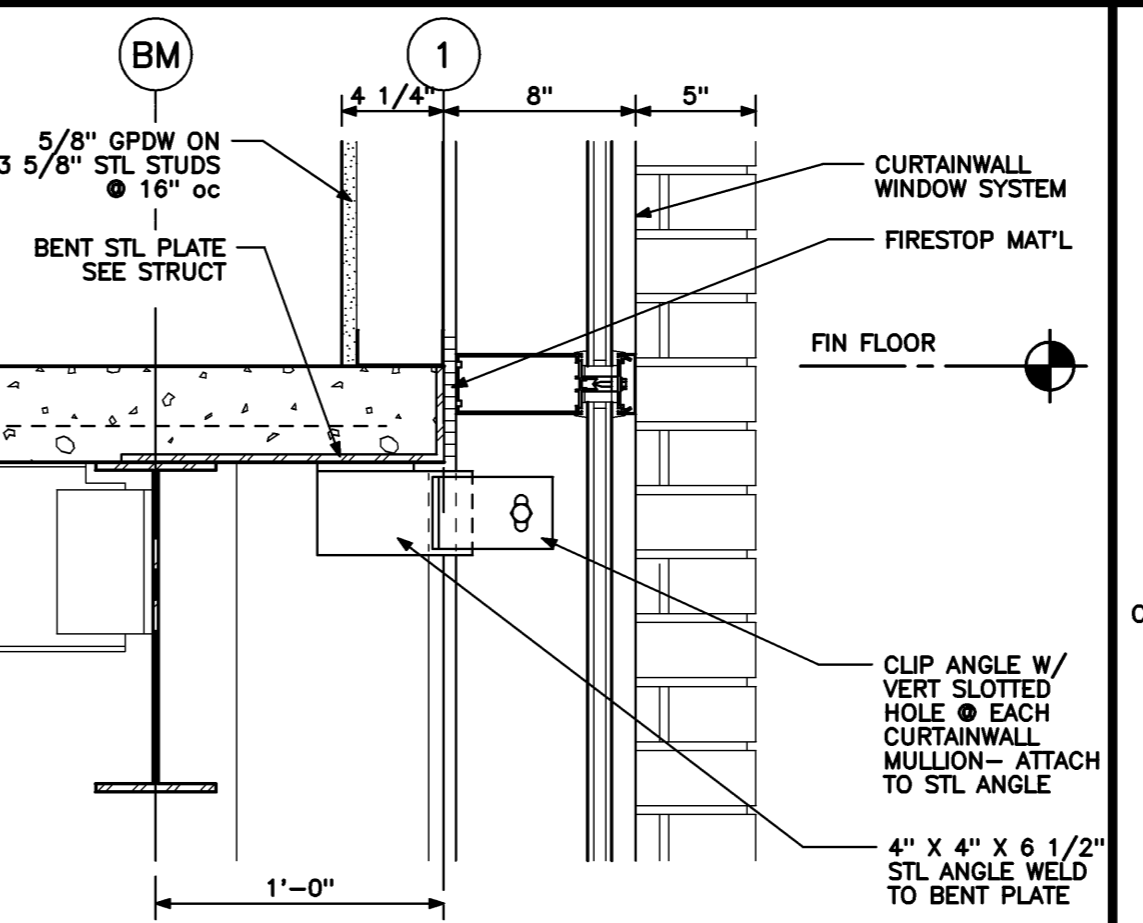
ALUMINUM STOREFRONT:



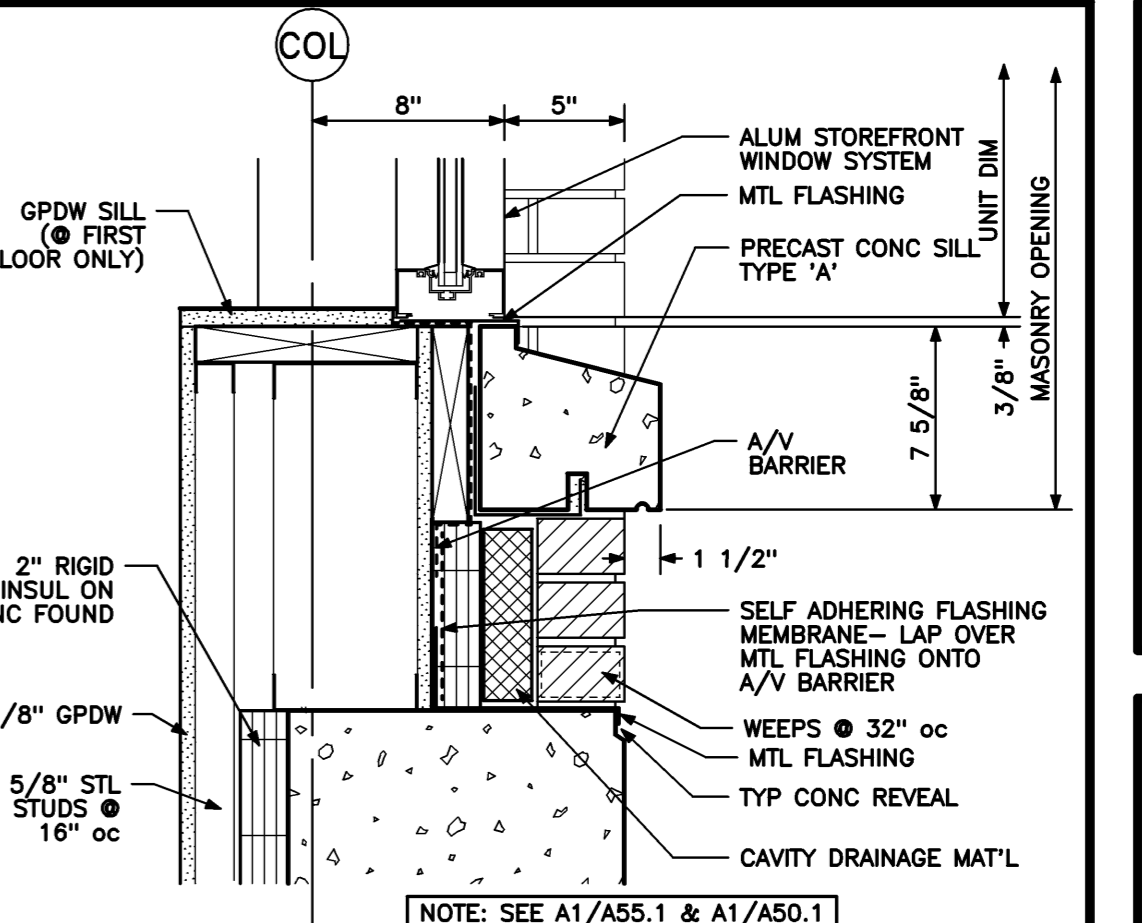
VERTICAL MULLION DETAIL
1 1/2" = 1'-0" REF: NA



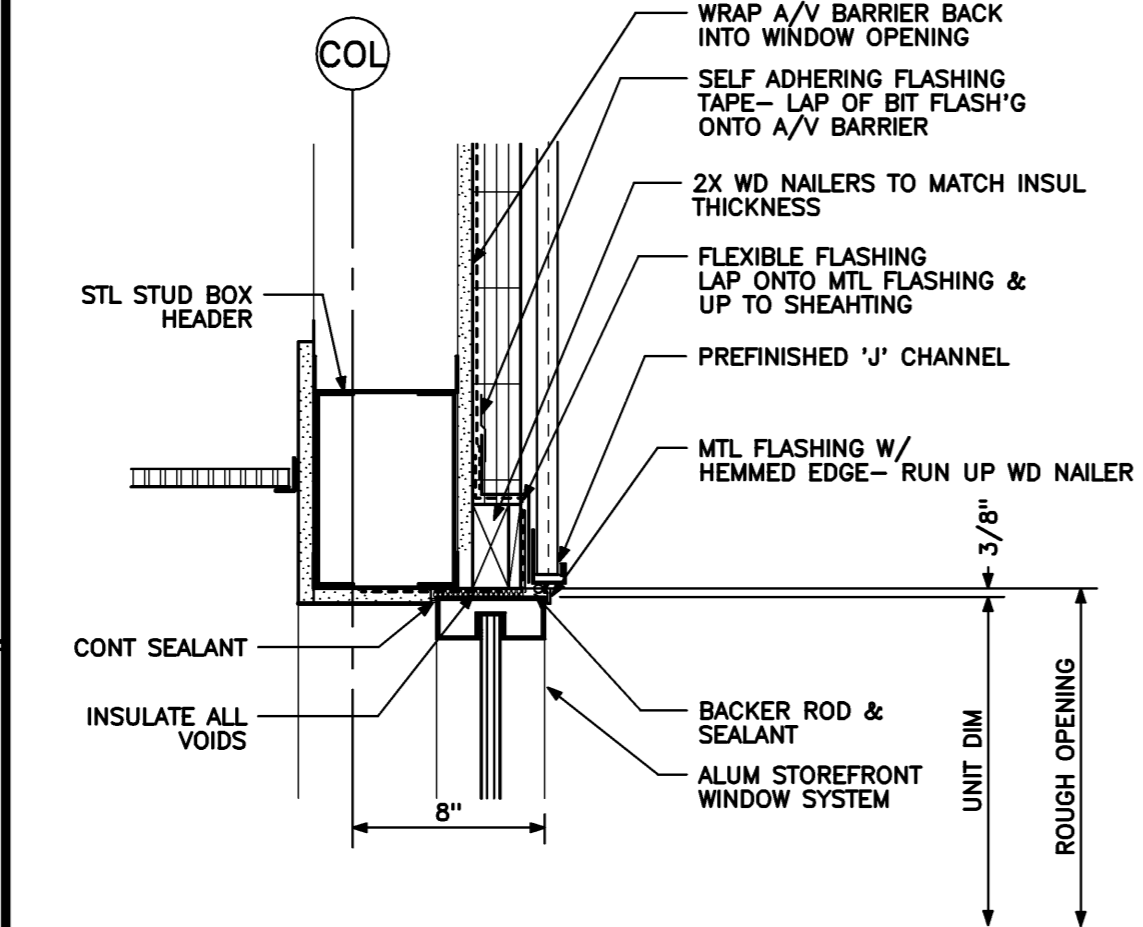
HEAD DETAIL
1 1/2" = 1'-0" REF: A2/A30.2



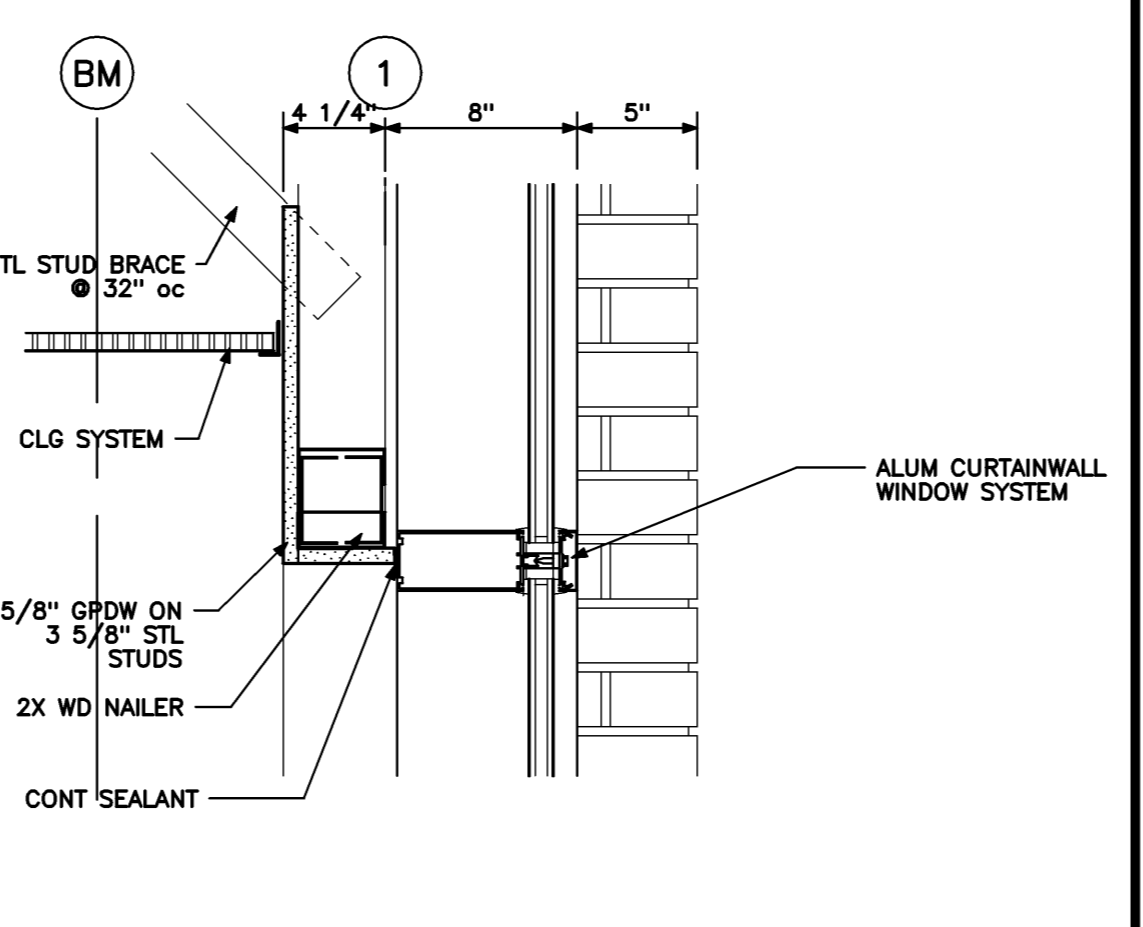
HORIZONTAL MULLION DETAIL
1 1/2" = 1'-0" REF: A2/A30.2



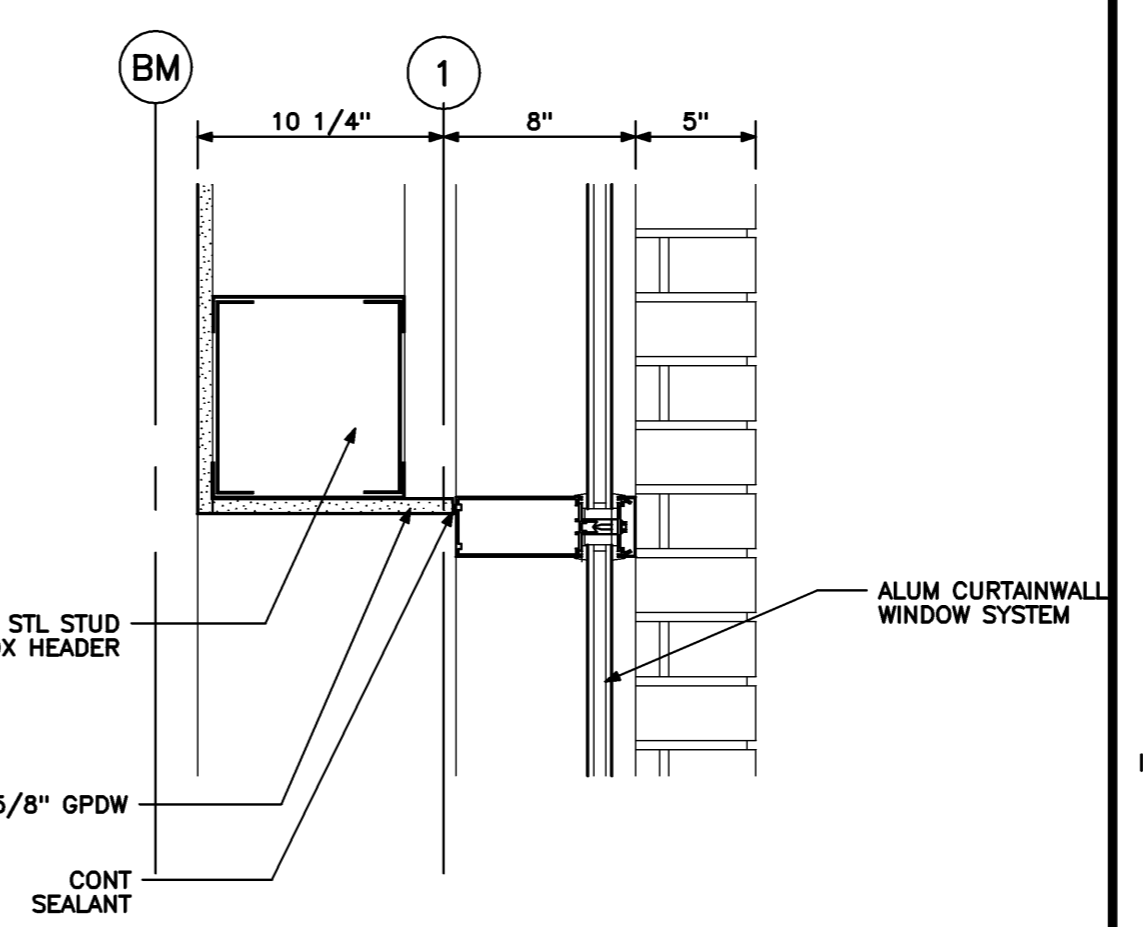
SILL DETAIL (BRICK)
1 1/2" = 1'-0" REF: A1/A30.1



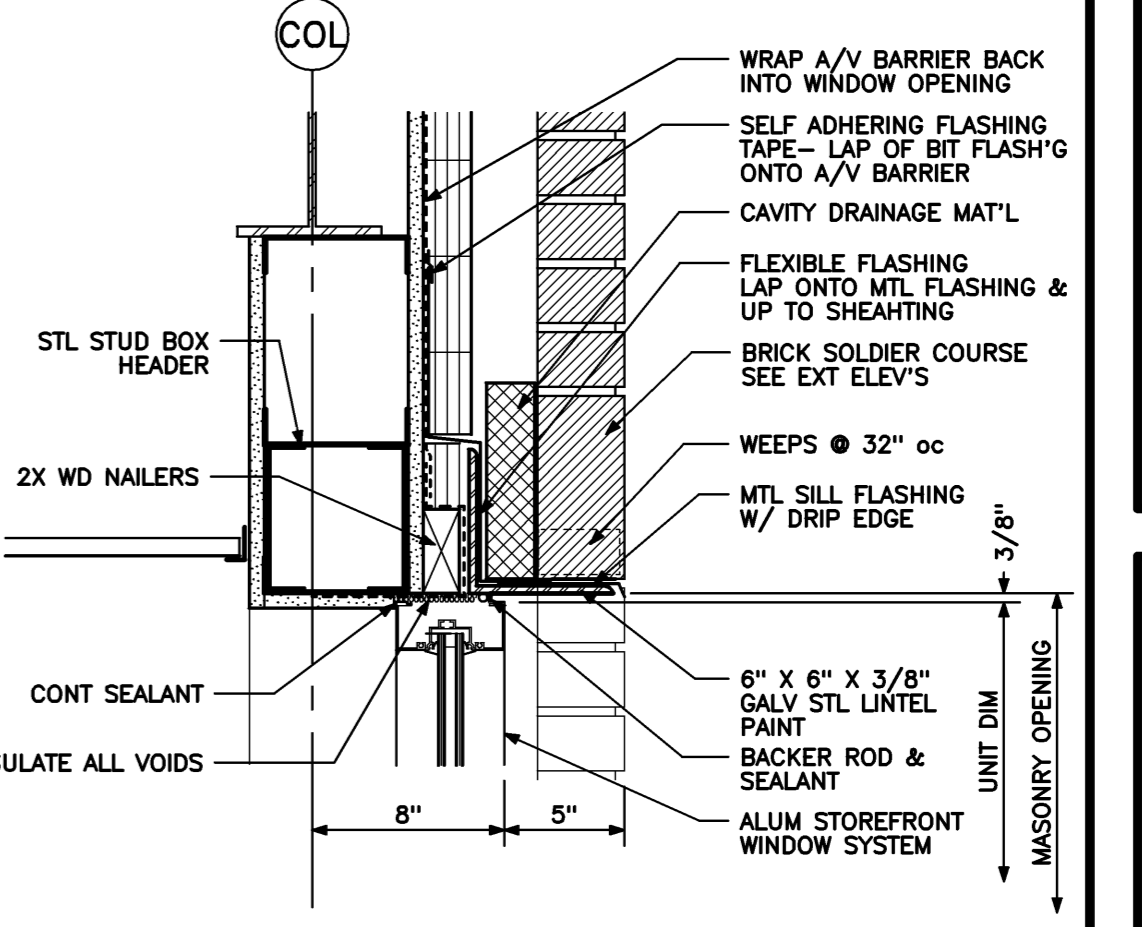
HEAD DETAIL (METAL SIDING)
1 1/2" = 1'-0" REF: A2/A30.2



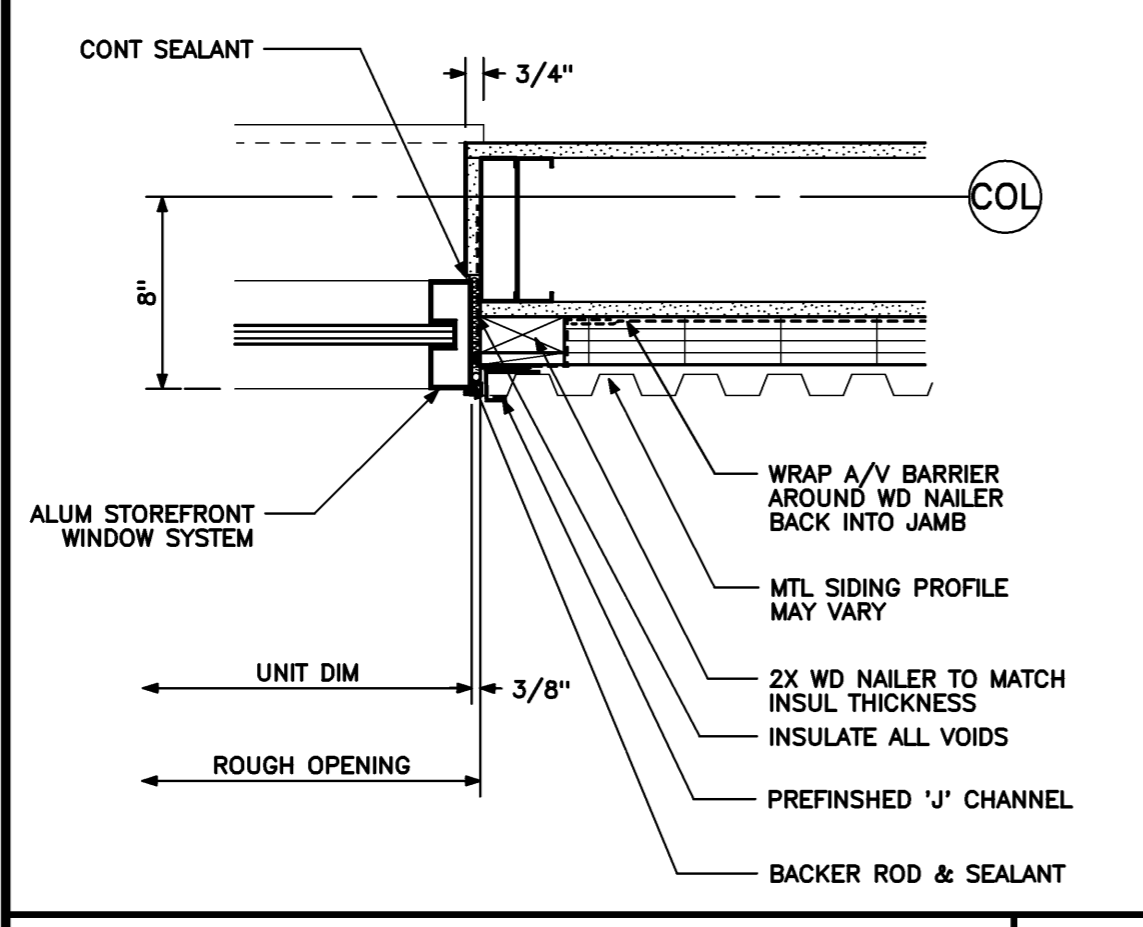
HORIZONTAL MULLION DETAIL
1 1/2" = 1'-0" REF: A2/A30.2



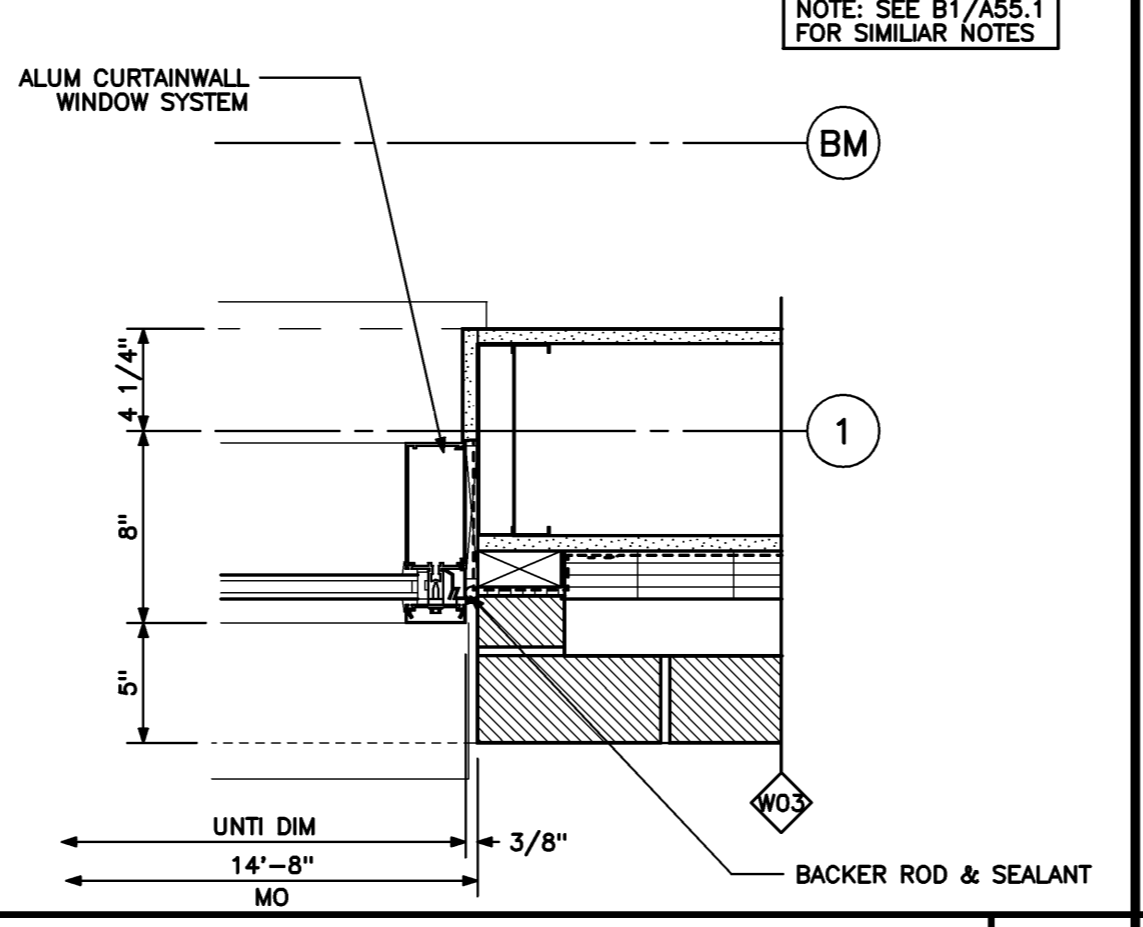
HORIZONTAL MULLION DETAIL
1 1/2" = 1'-0" REF: A2/A30.2



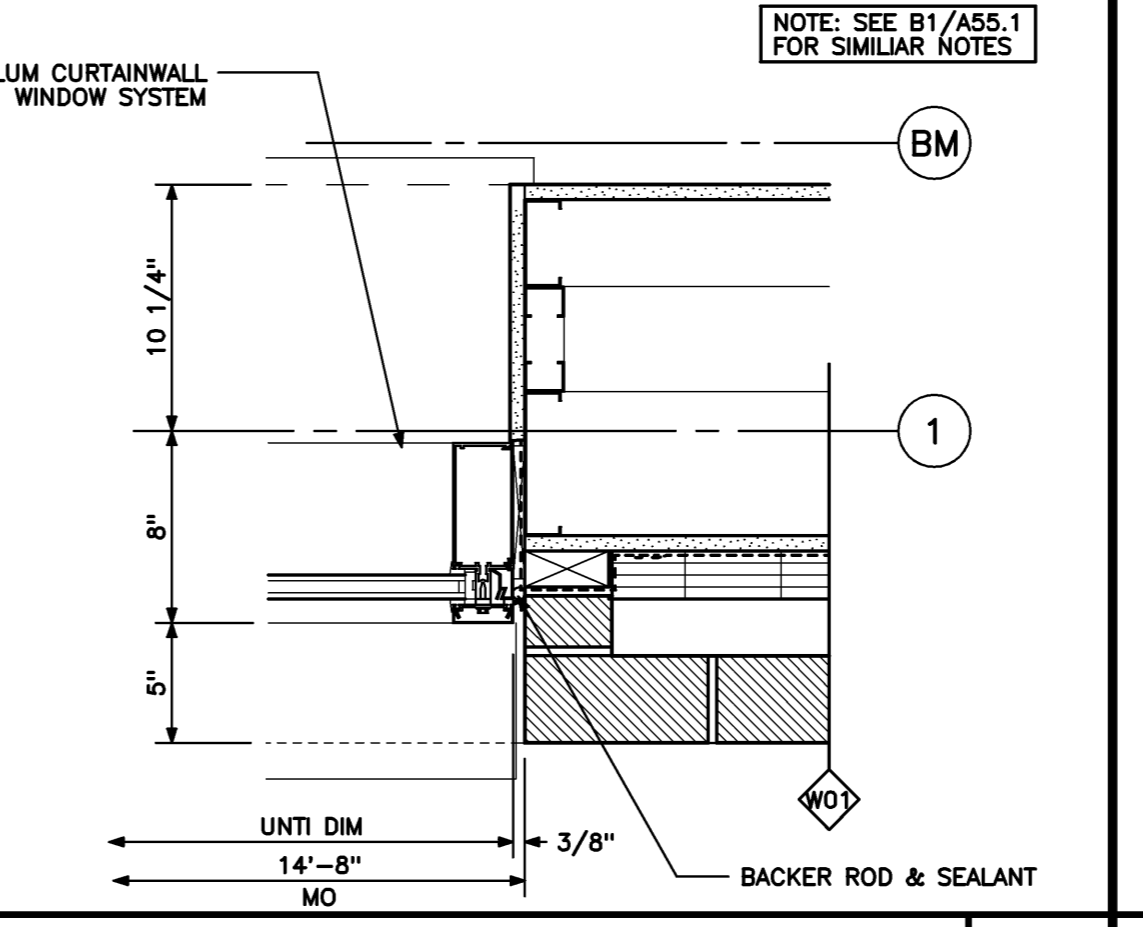
HEAD DETAIL (BRICK)
1 1/2" = 1'-0" REF: A1/A30.1



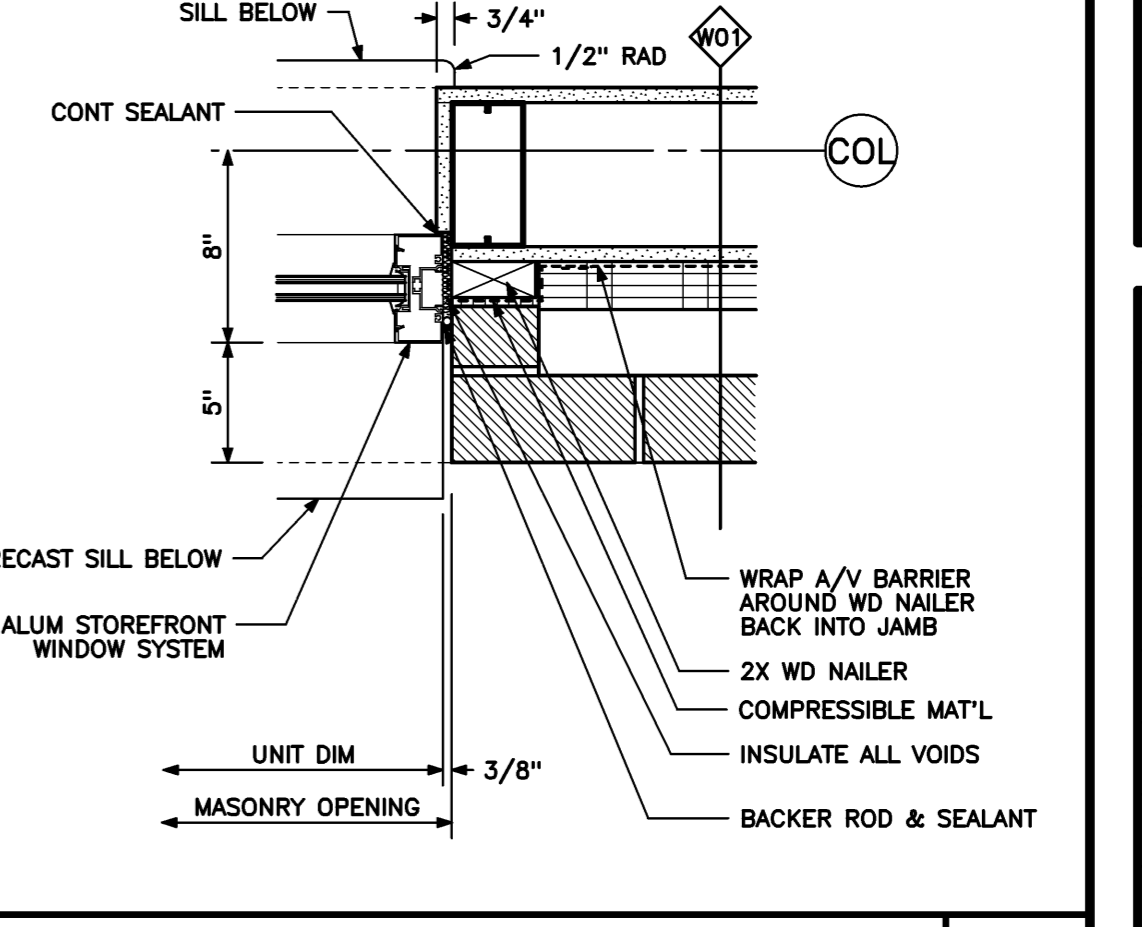
JAMB DETAIL (METAL SIDING)
1 1/2" = 1'-0" REF: A2/A30.2



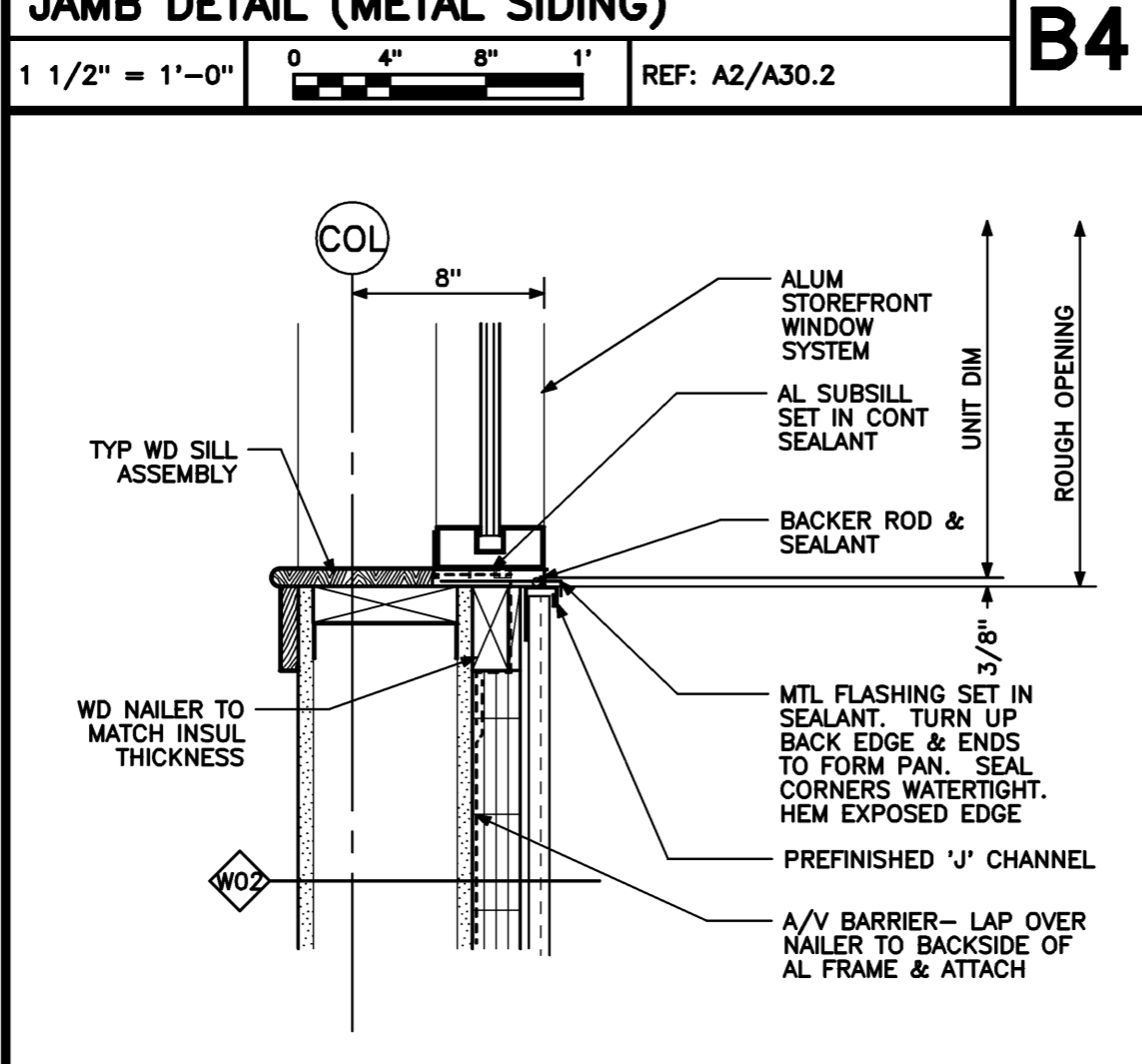
JAMB DETAIL
1 1/2" = 1'-0" REF: A2/A30.2



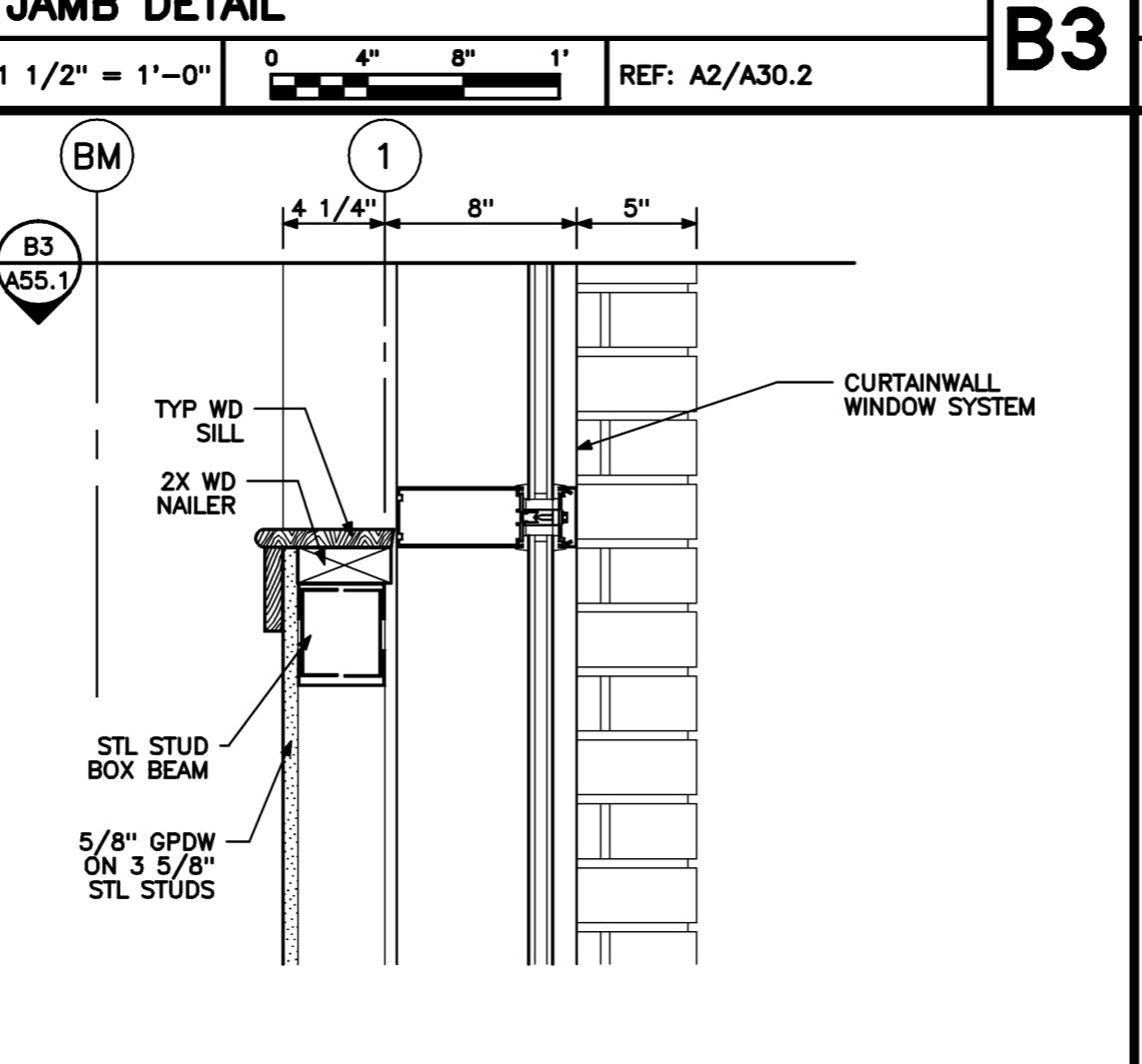
JAMB DETAIL
1 1/2" = 1'-0" REF: A2/A30.2



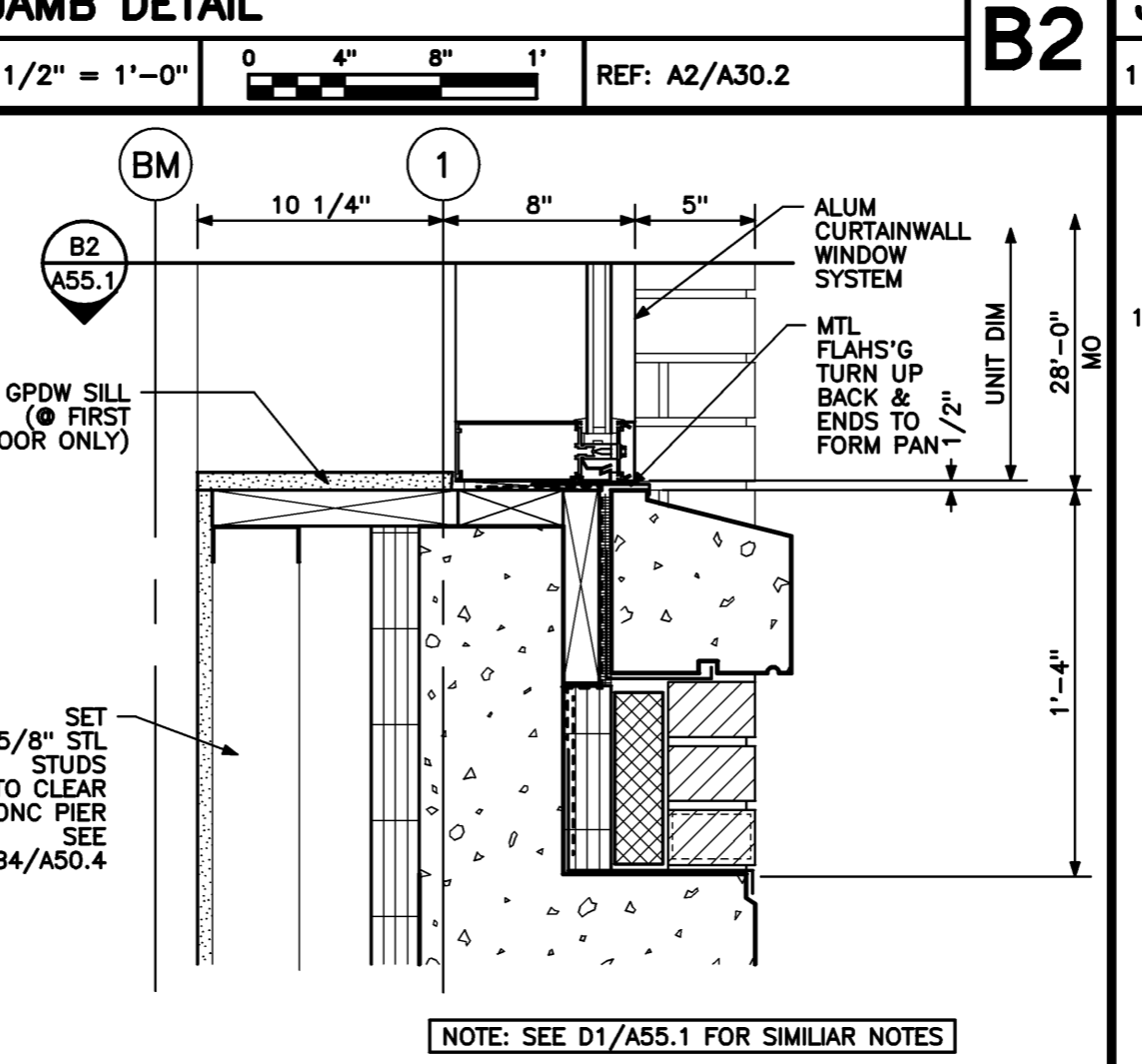
JAMB DETAIL (BRICK)
1 1/2" = 1'-0" REF: A1/A30.1



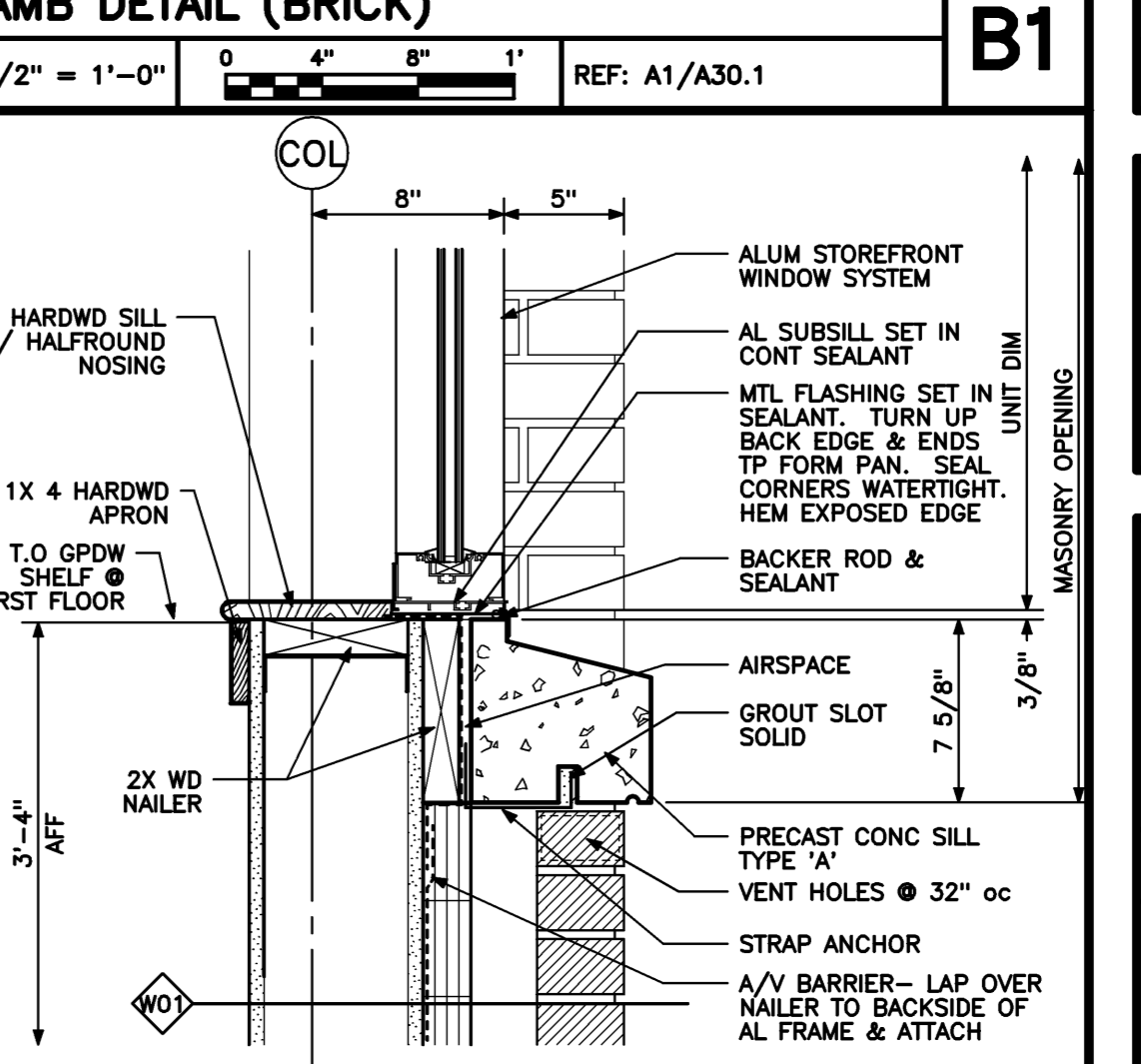
SILL DETAIL (METAL SIDING)
1 1/2" = 1'-0" REF: A2/A30.2



HORIZONTAL MULLION DETAIL
1 1/2" = 1'-0" REF: A2/A30.2



SILL DETAIL
1 1/2" = 1'-0" REF: A2/A30.1



SILL DETAIL (BRICK)
1 1/2" = 1'-0" REF: A1/A30.1

WINDOW TYPES
1/4" = 1'-0" REF: A20.1

SILL DETAIL (METAL SIDING)
1 1/2" = 1'-0" REF: A2/A30.2

HORIZONTAL MULLION DETAIL
1 1/2" = 1'-0" REF: A2/A30.2

SILL DETAIL
1 1/2" = 1'-0" REF: A2/A30.1

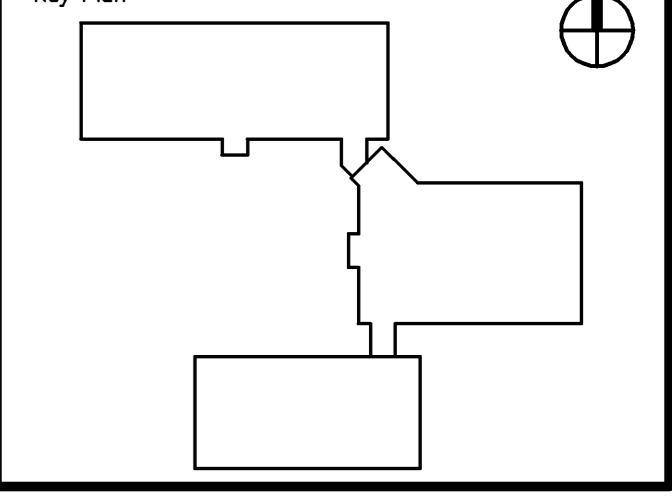
SILL DETAIL (BRICK)
1 1/2" = 1'-0" REF: A1/A30.1

Architects + Engineers
HARRIMAN ASSOCIATES
One Auburn Business Park
Auburn, Maine 04210
207.784.8100 tel
207.782.3017 fax
www.harriman.com
Building communities
since 1870
© 2006

Project Title
**WOODARD & CURRAN
OFFICE ADDITION**

PORTLAND, MAINE

HA Project No. **05178**



| Mark | Date | Description |
|------|----------|-------------------------|
| - | 05-15-06 | ISSUED FOR CONSTRUCTION |
| - | 03-14-06 | FINAL REVIEW |
| - | 02-03-06 | DD REVIEW |

Drawing Status

Drawing Title
WINDOW DETAILS

PA / PE: **JMB** Drawn By: **MCM**

Drawing Number

A55.1