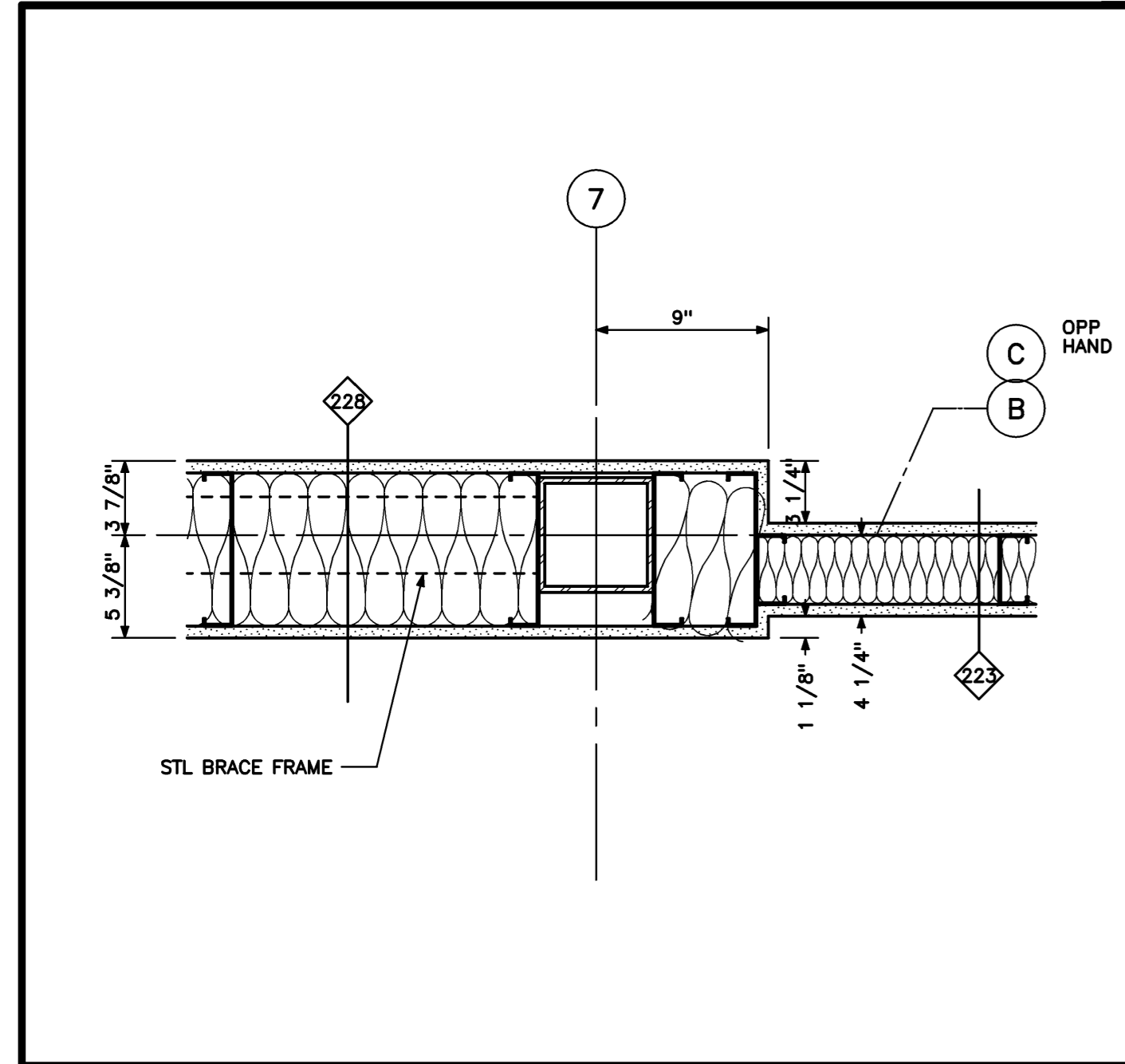
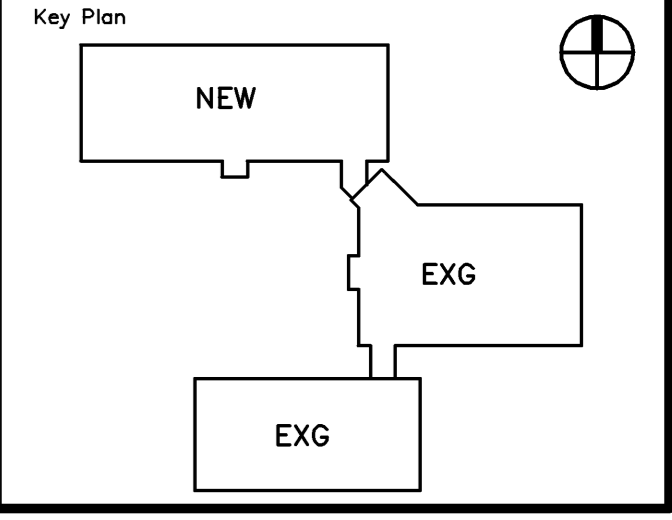


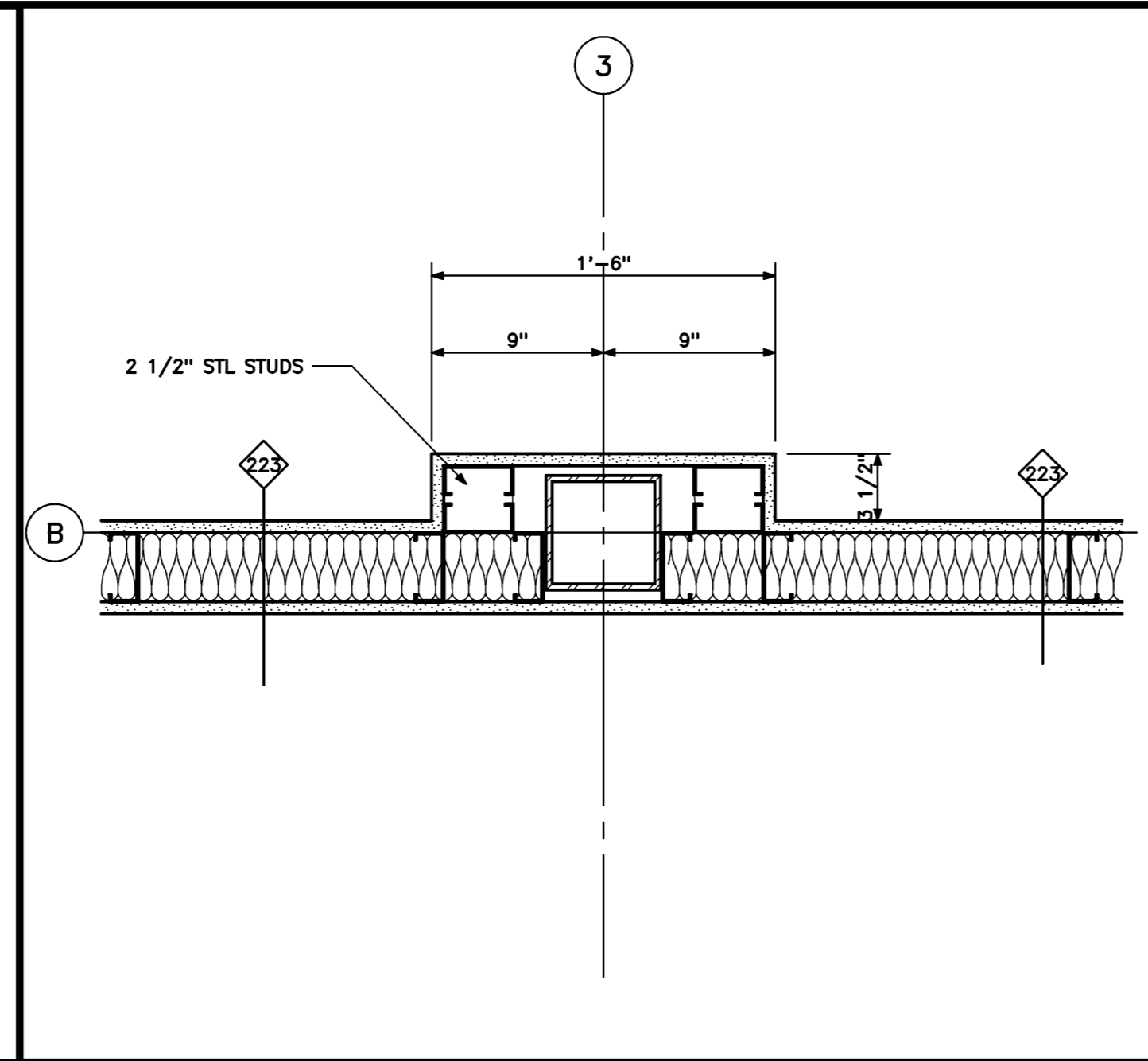
Project Title  
**WOODARD & CURRAN  
 OFFICE ADDITION**

PORTLAND, MAINE

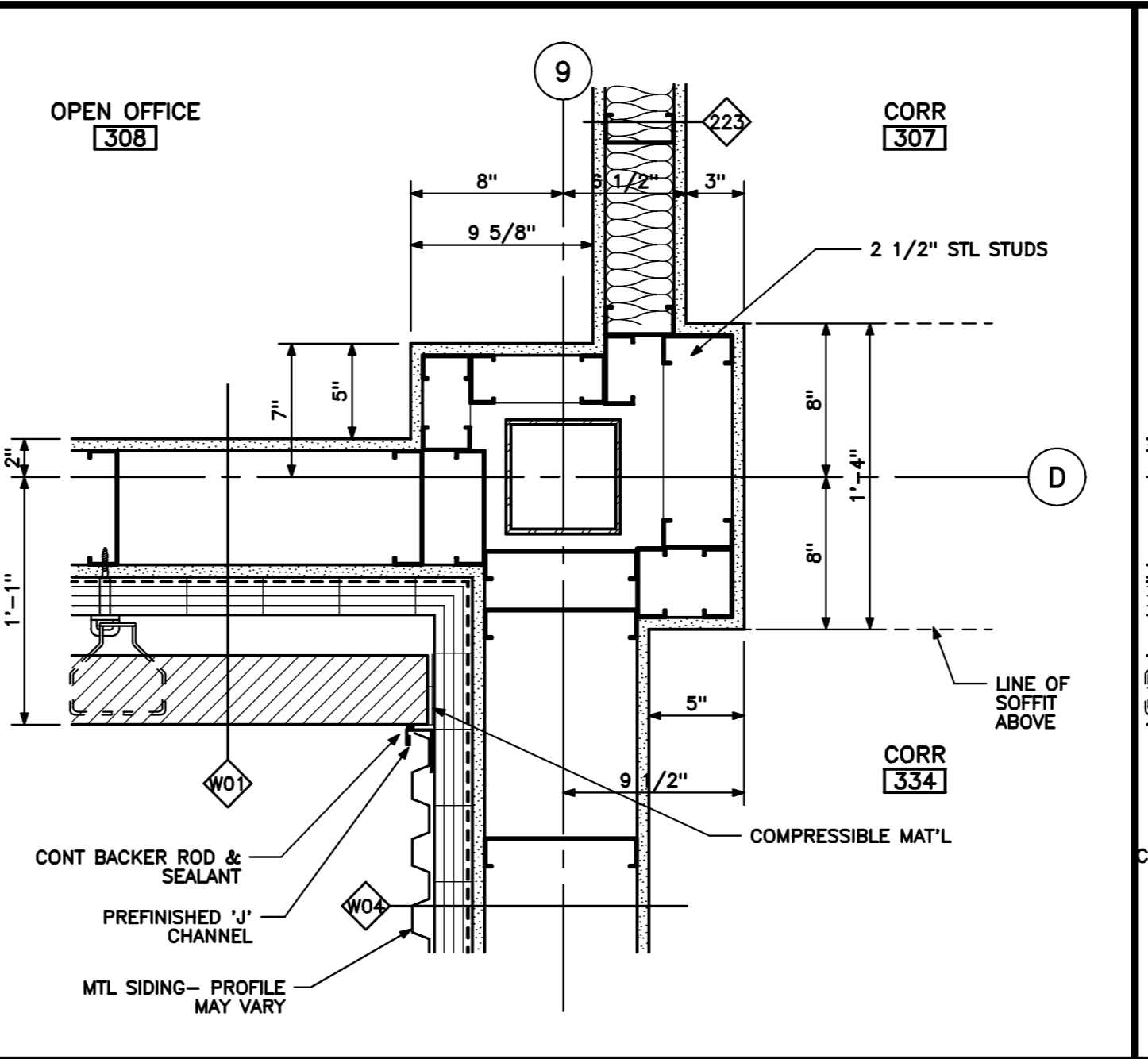
HA Project No. **05178**



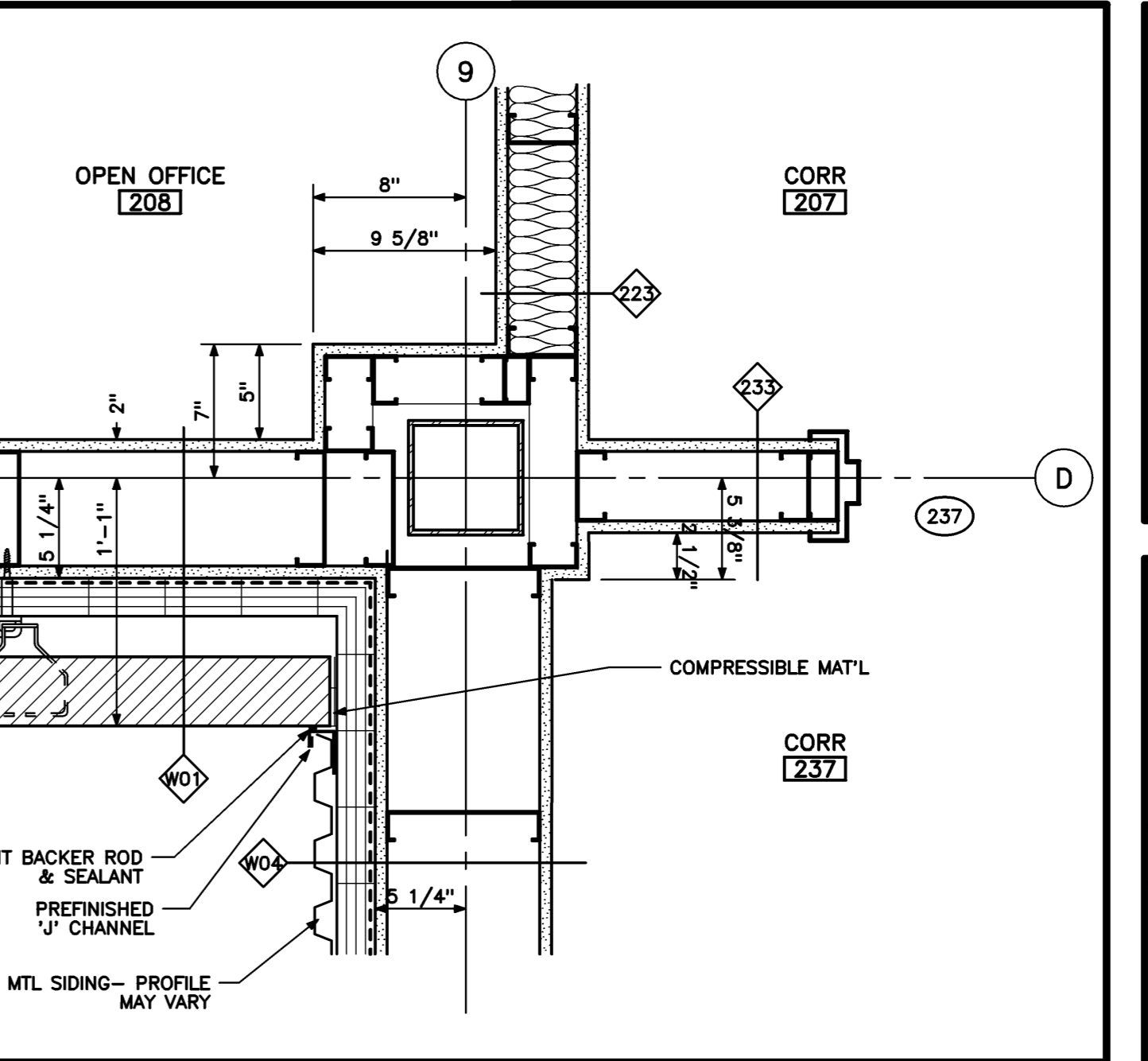
**DETAIL**  
 1 1/2" = 1'-0"  
 REF: A1/A11.1



**INTERIOR PLAN DETAIL**  
 1 1/2" = 1'-0"  
 REF: A1/A10.2



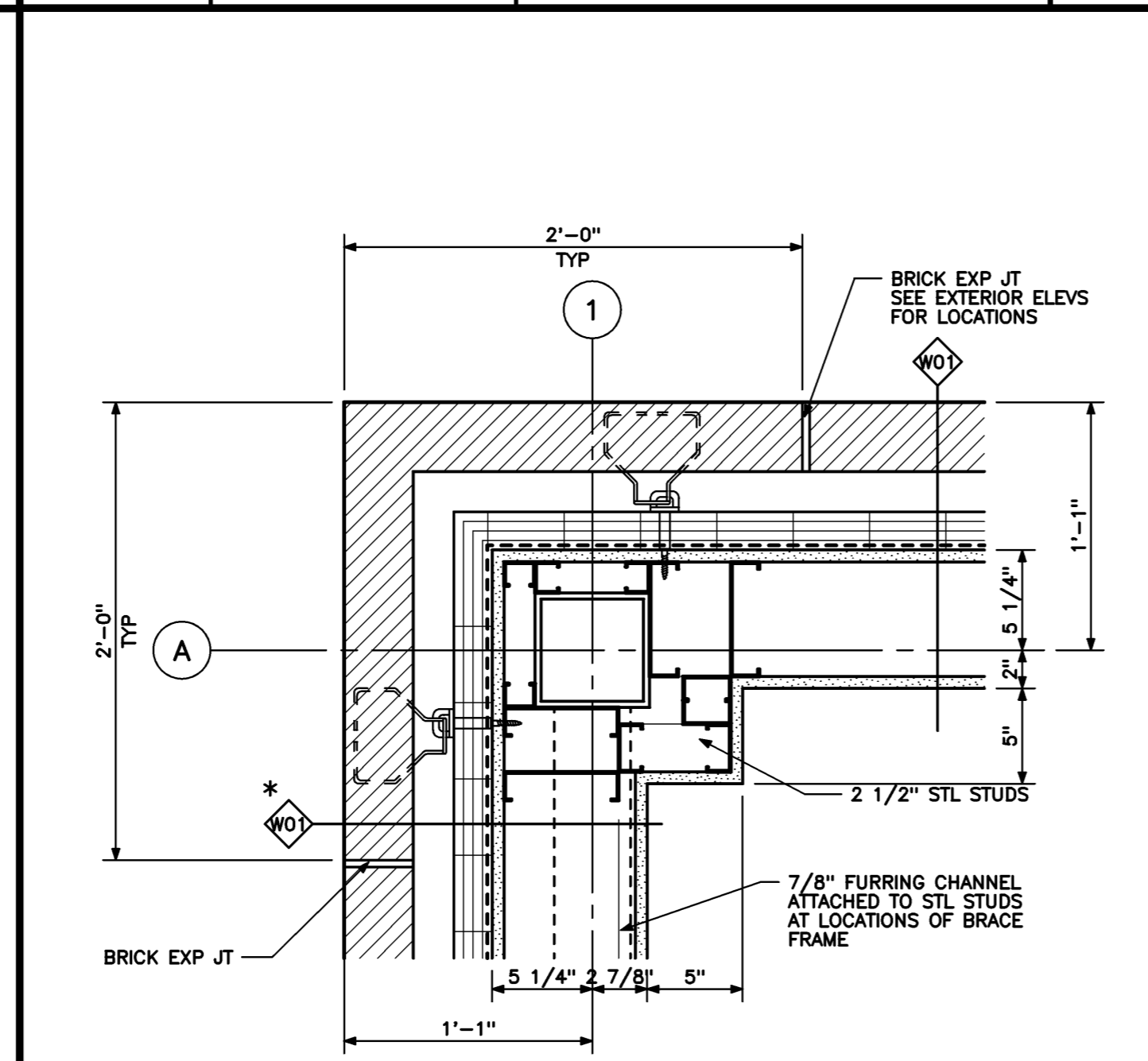
**EXTERIOR PLAN DETAIL**  
 1 1/2" = 1'-0"  
 REF: A1/A10.3



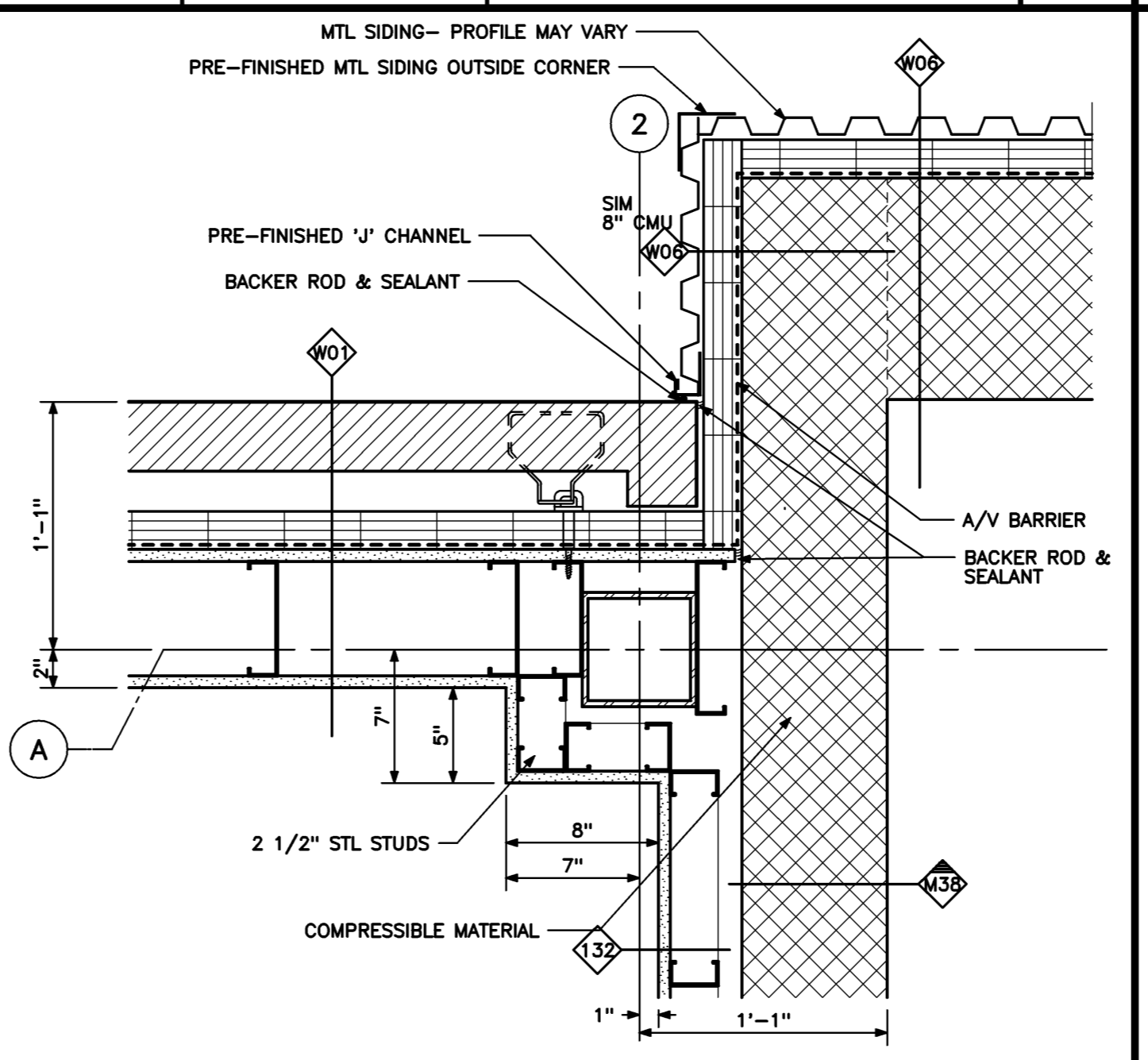
**EXTERIOR PLAN DETAIL**  
 1 1/2" = 1'-0"  
 REF: B2/A11.1



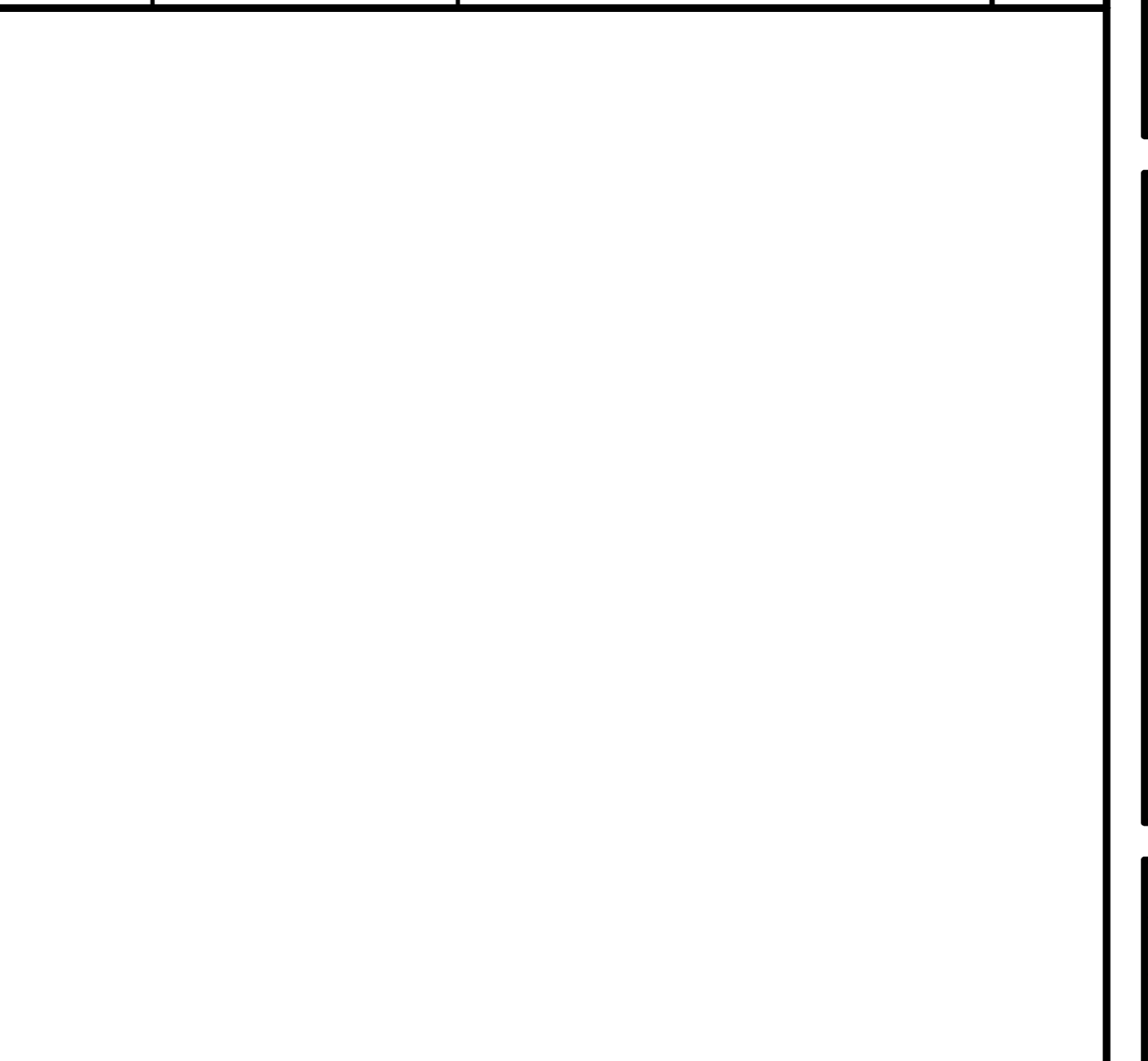
**NOT USED**  
 1 1/2" = 1'-0"  
 REF: NA



**EXTERIOR PLAN DETAIL**  
 1 1/2" = 1'-0"  
 REF: A1/A10.2



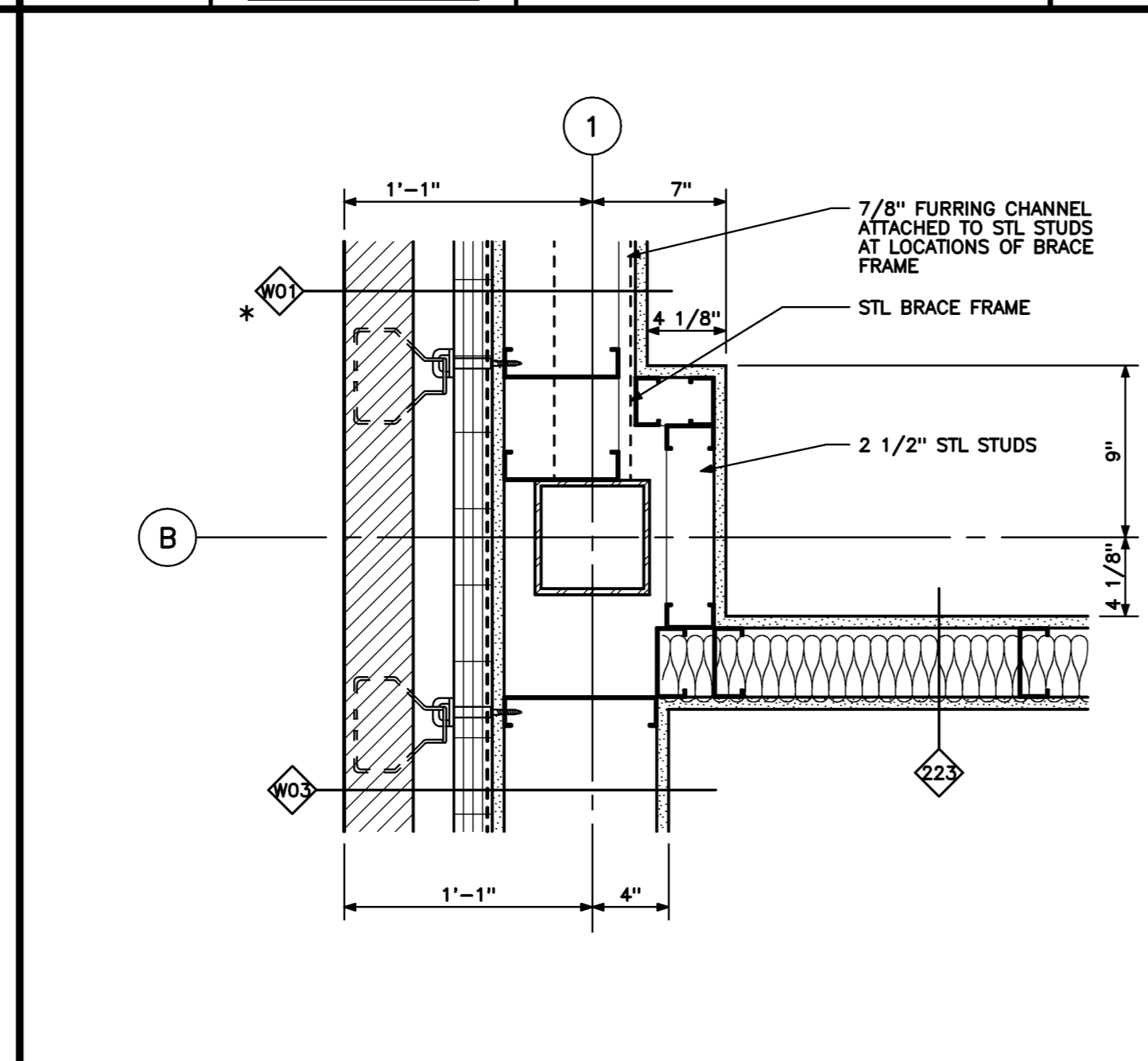
**EXTERIOR PLAN DETAIL**  
 1 1/2" = 1'-0"  
 REF: B2/A35.1



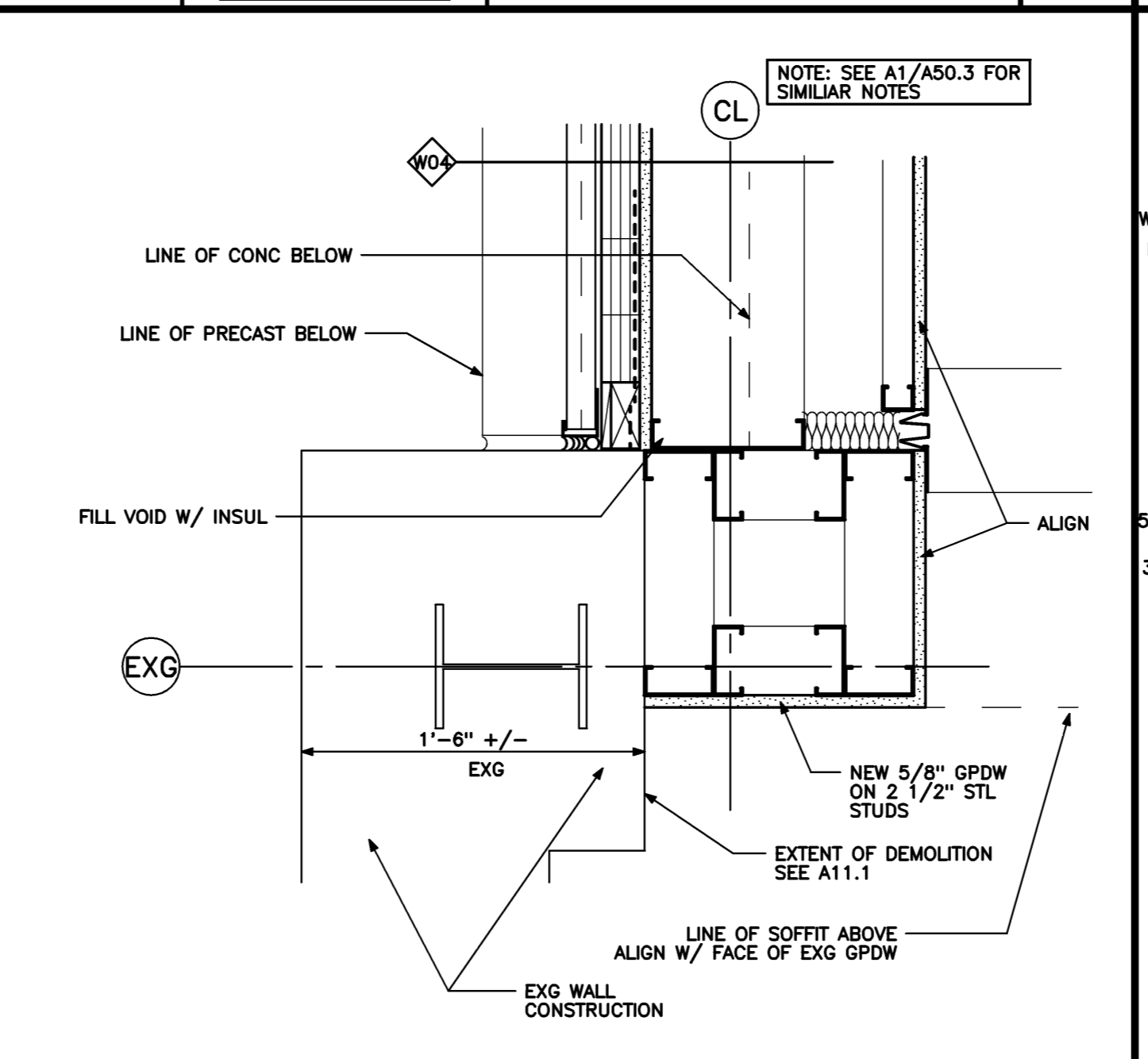
**NOT USED**  
 1 1/2" = 1'-0"  
 REF: NA



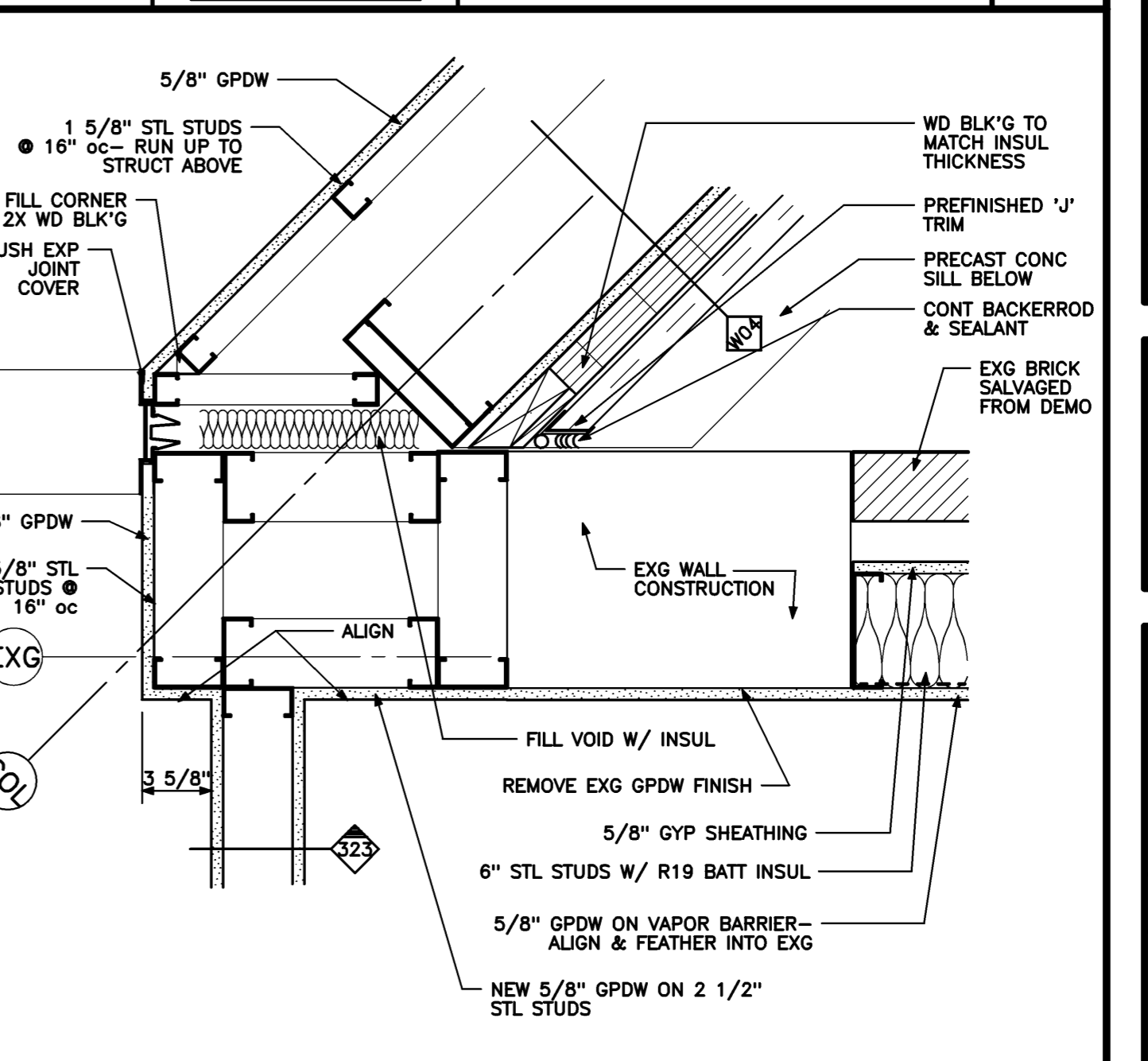
**NOT USED**  
 NO SCALE  
 REF: NA



**EXTERIOR PLAN DETAIL**  
 1 1/2" = 1'-0"  
 REF: A1/A10.2



**EXTERIOR PLAN DETAIL**  
 1 1/2" = 1'-0"  
 REF: B2/A11.1



**EXTERIOR PLAN DETAIL**  
 1 1/2" = 1'-0"  
 REF: B2/A11.1

Mark	Date	Description
-	05-15-06	ISSUED FOR CONSTRUCTION
-	03-14-06	FINAL REVIEW

Issue Dates

Drawing Title
DETAILS

PA / PE: **JMB** Drawn By: **MCM**

Drawing Number  
**A50.3**