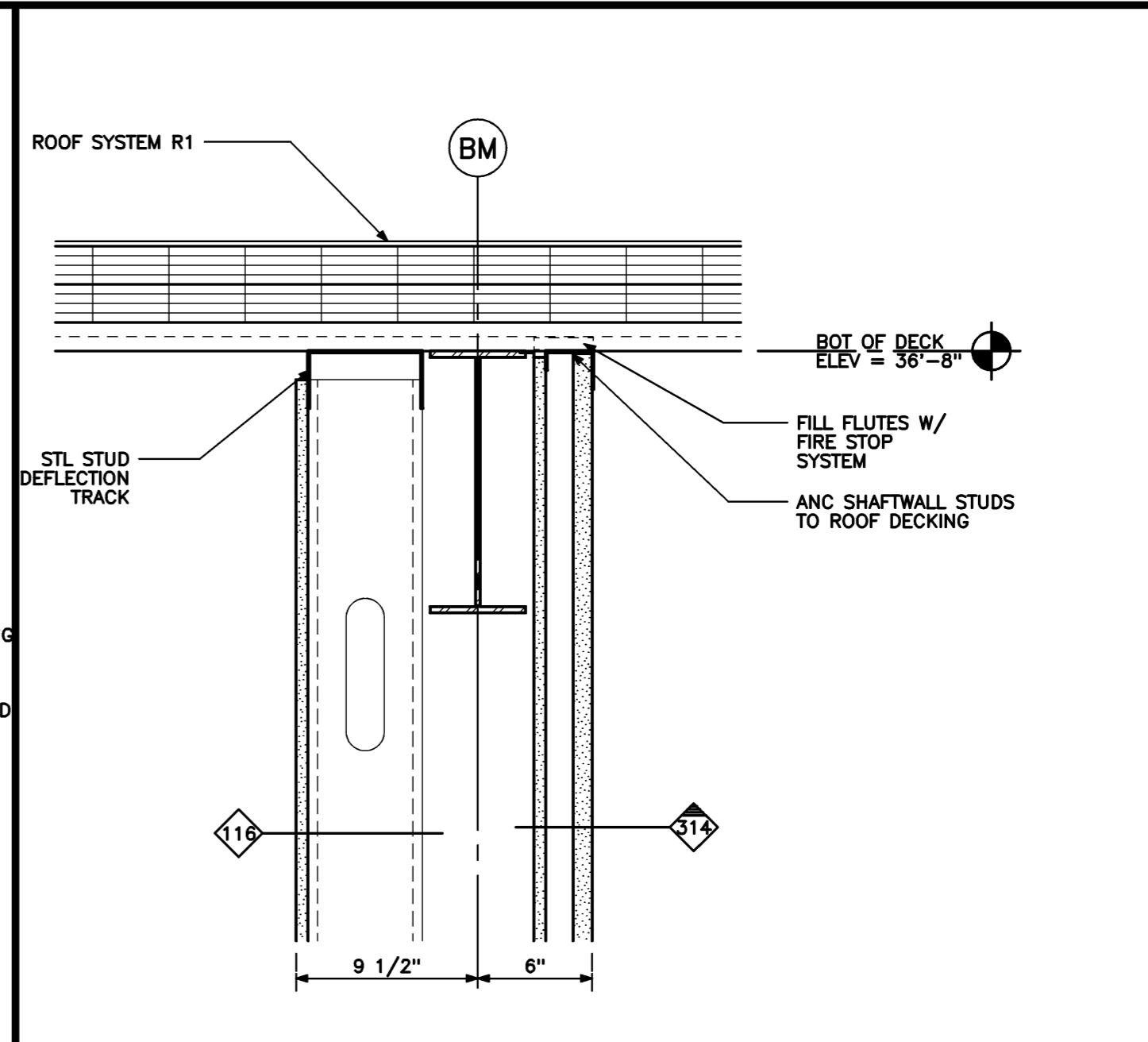
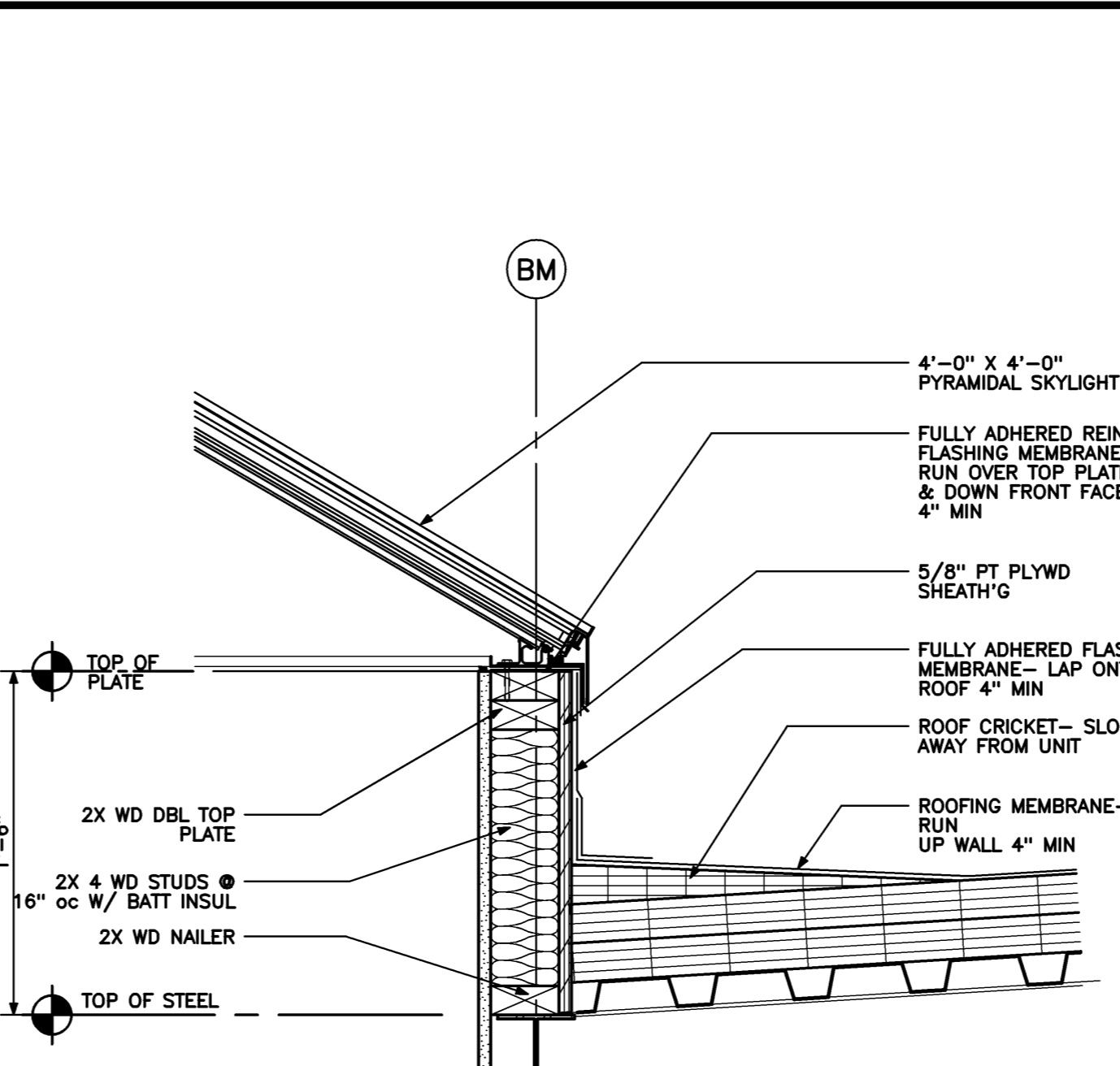
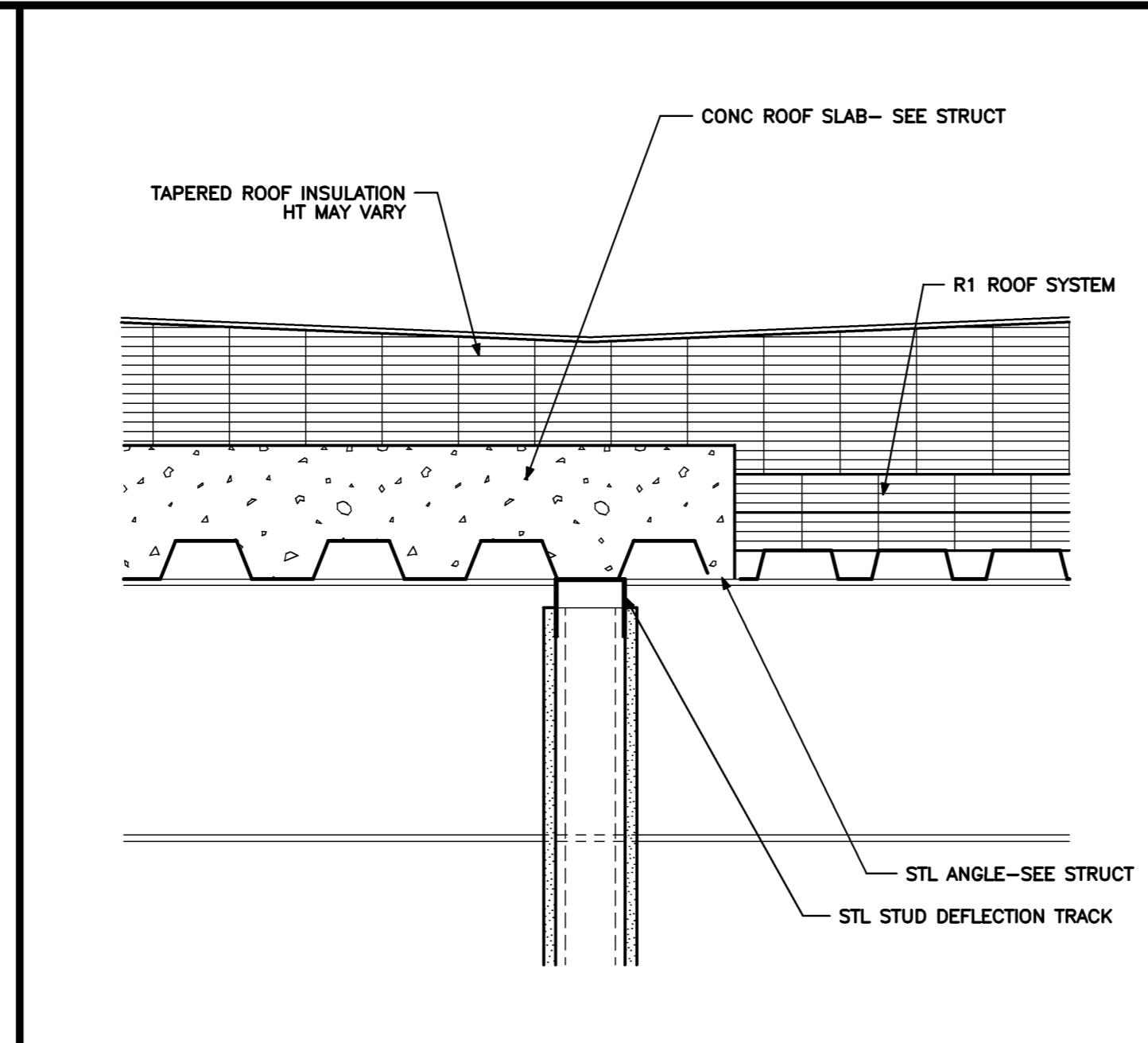
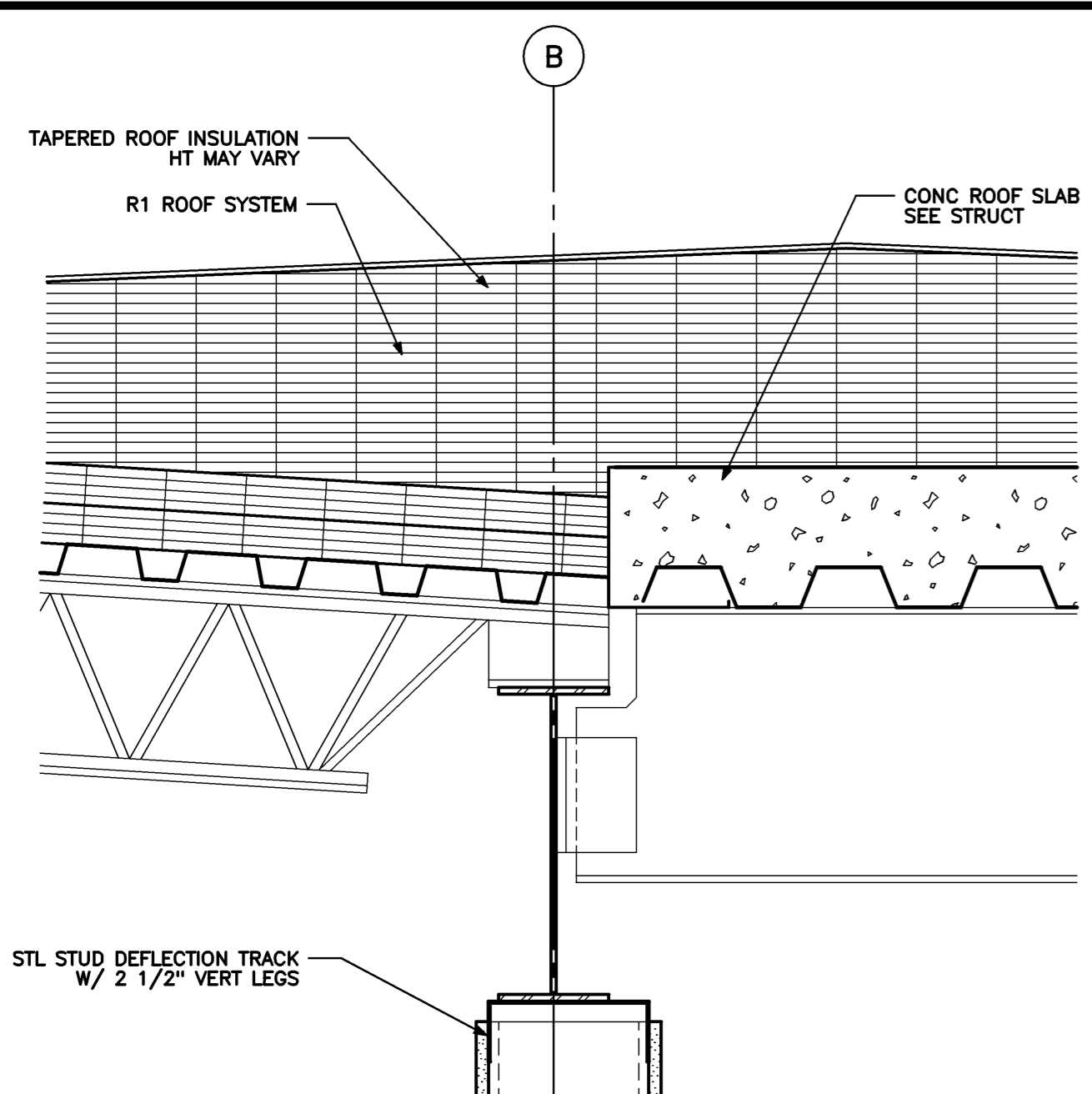
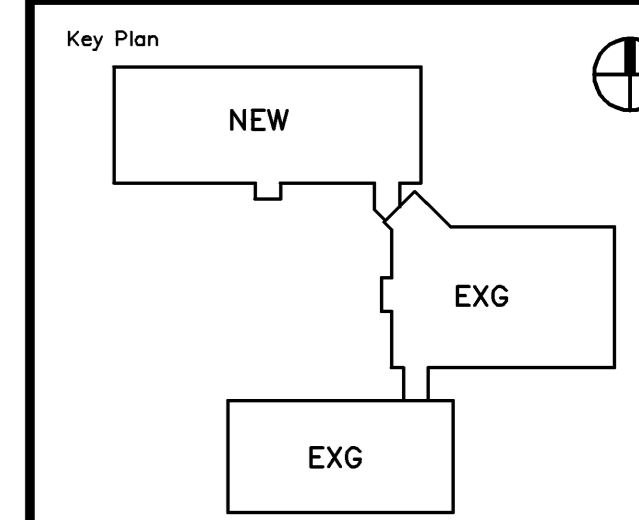


Project Title
**WOODARD & CURRAN
OFFICE ADDITION**

PORTLAND, MAINE

HA Project No. **05178**

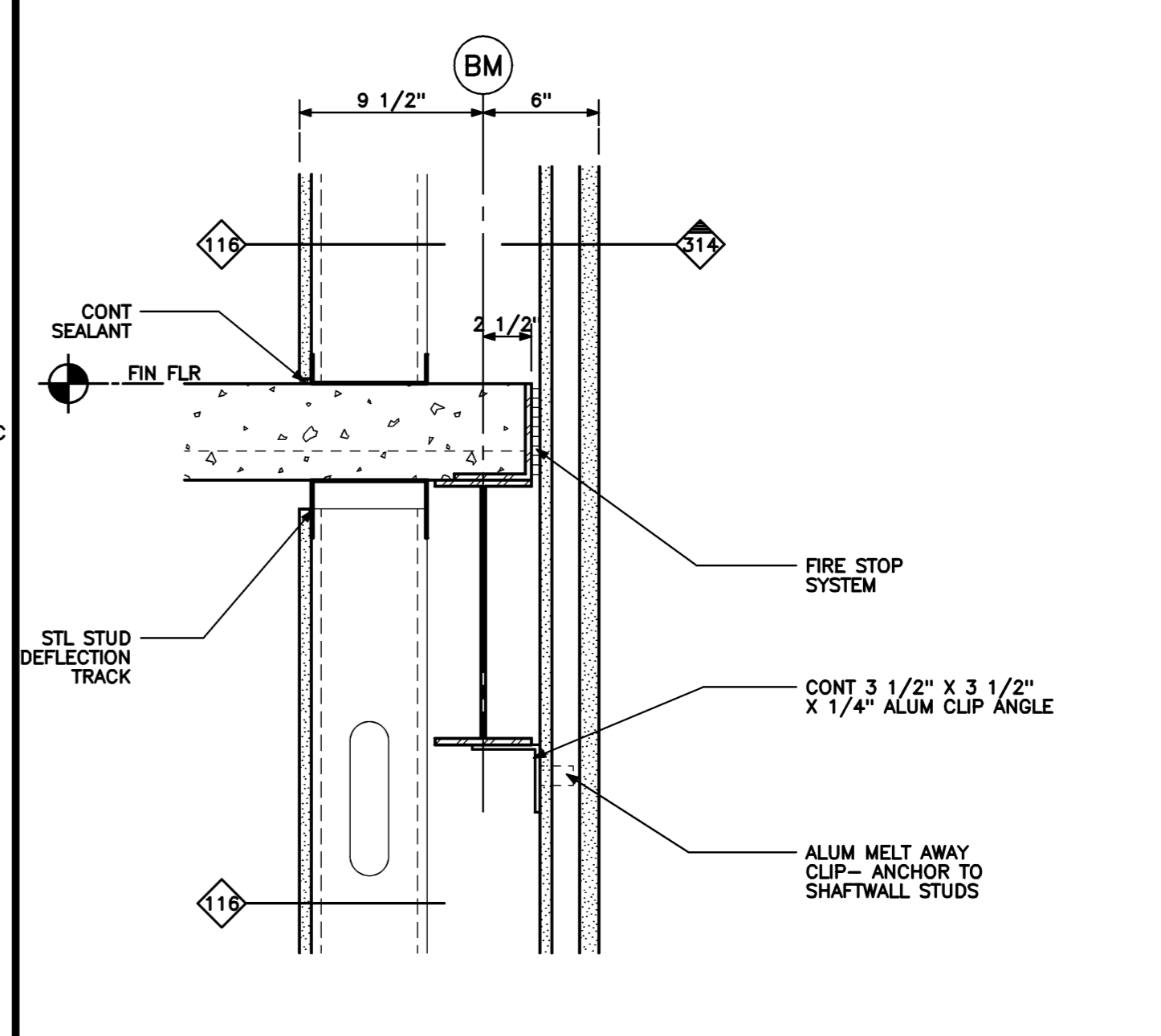
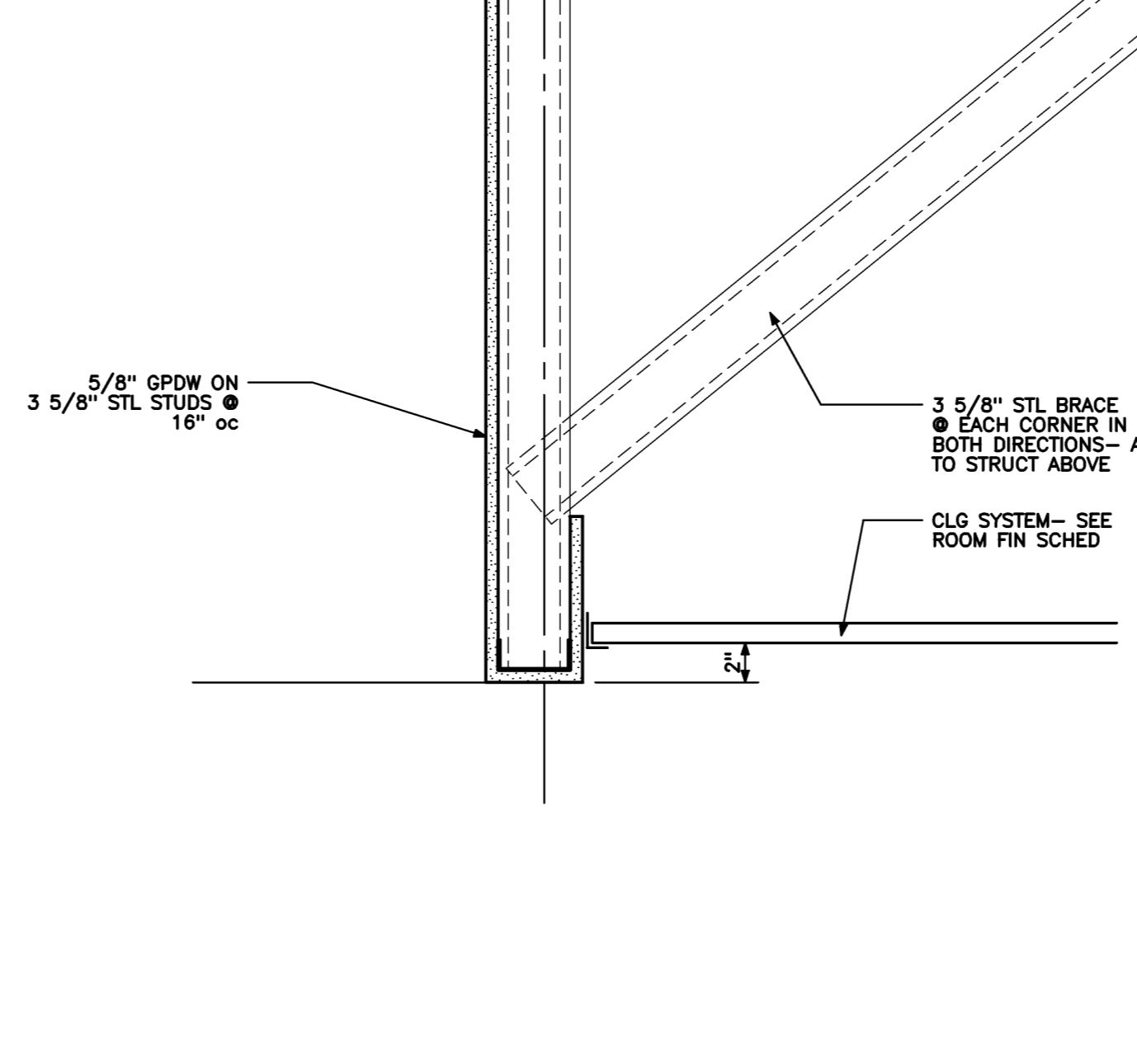
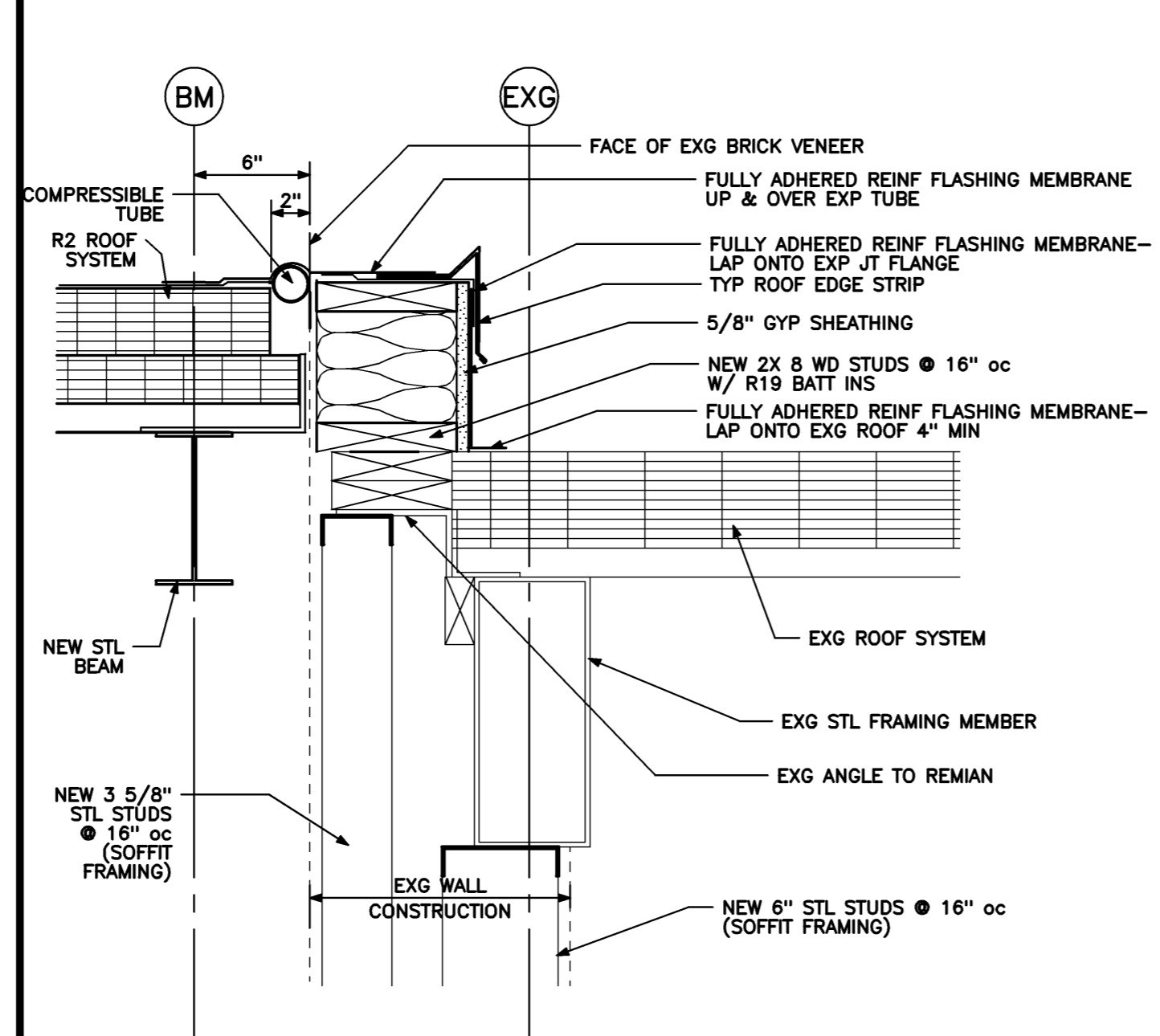


ROOF SLAB DETAIL
1 1/2" = 1'-0"
REF: B1/A25.1

ROOF SLAB DETAIL
1 1/2" = 1'-0"
REF: B1/A25.1

INTERIOR SECTION DETAIL AT SKYLIGHT
1 1/2" = 1'-0"
REF: B2/A25.1

INTERIOR SECTION DETAIL AT SHAFT WALL
1 1/2" = 1'-0"
REF: A1/A25.1

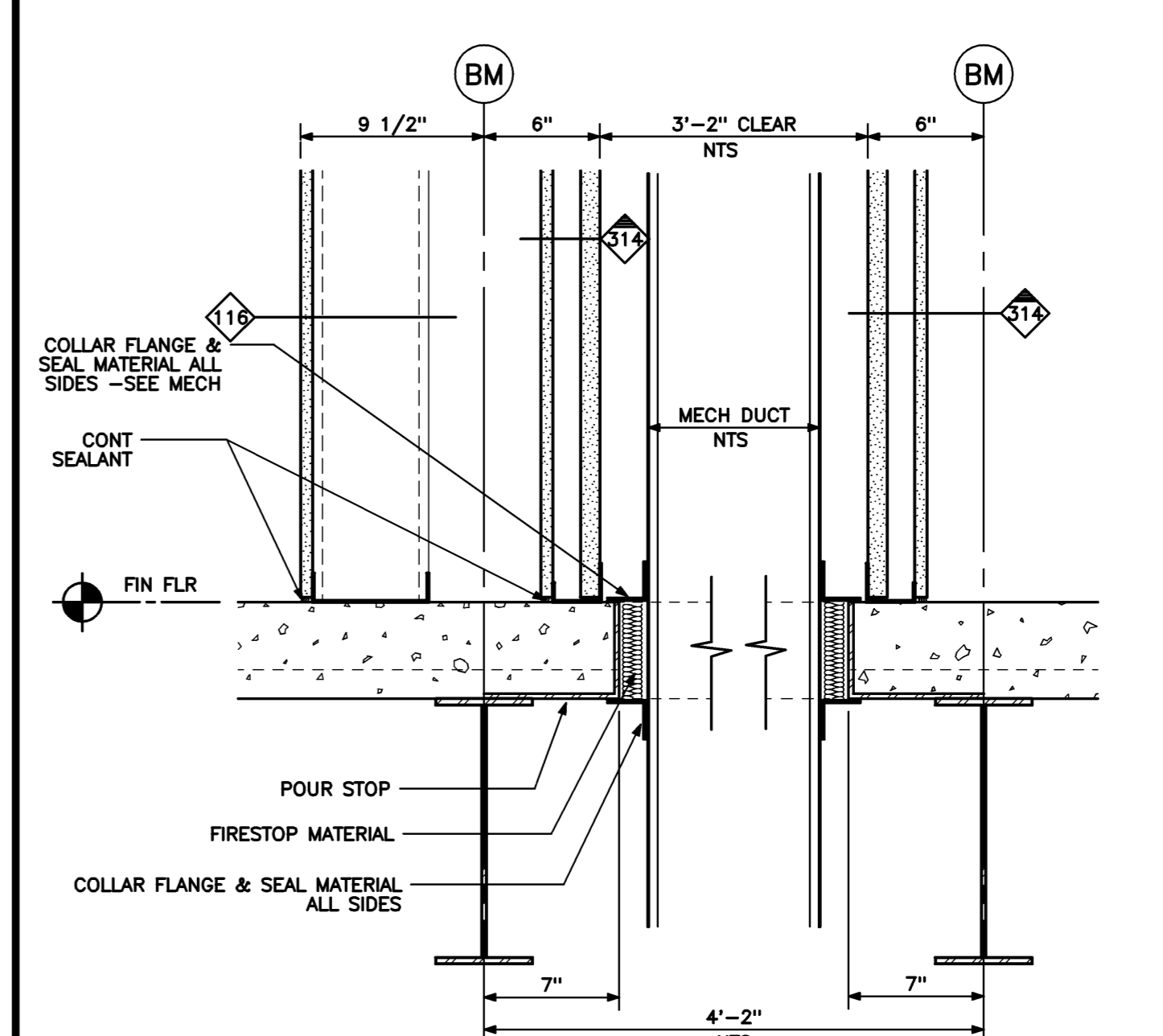
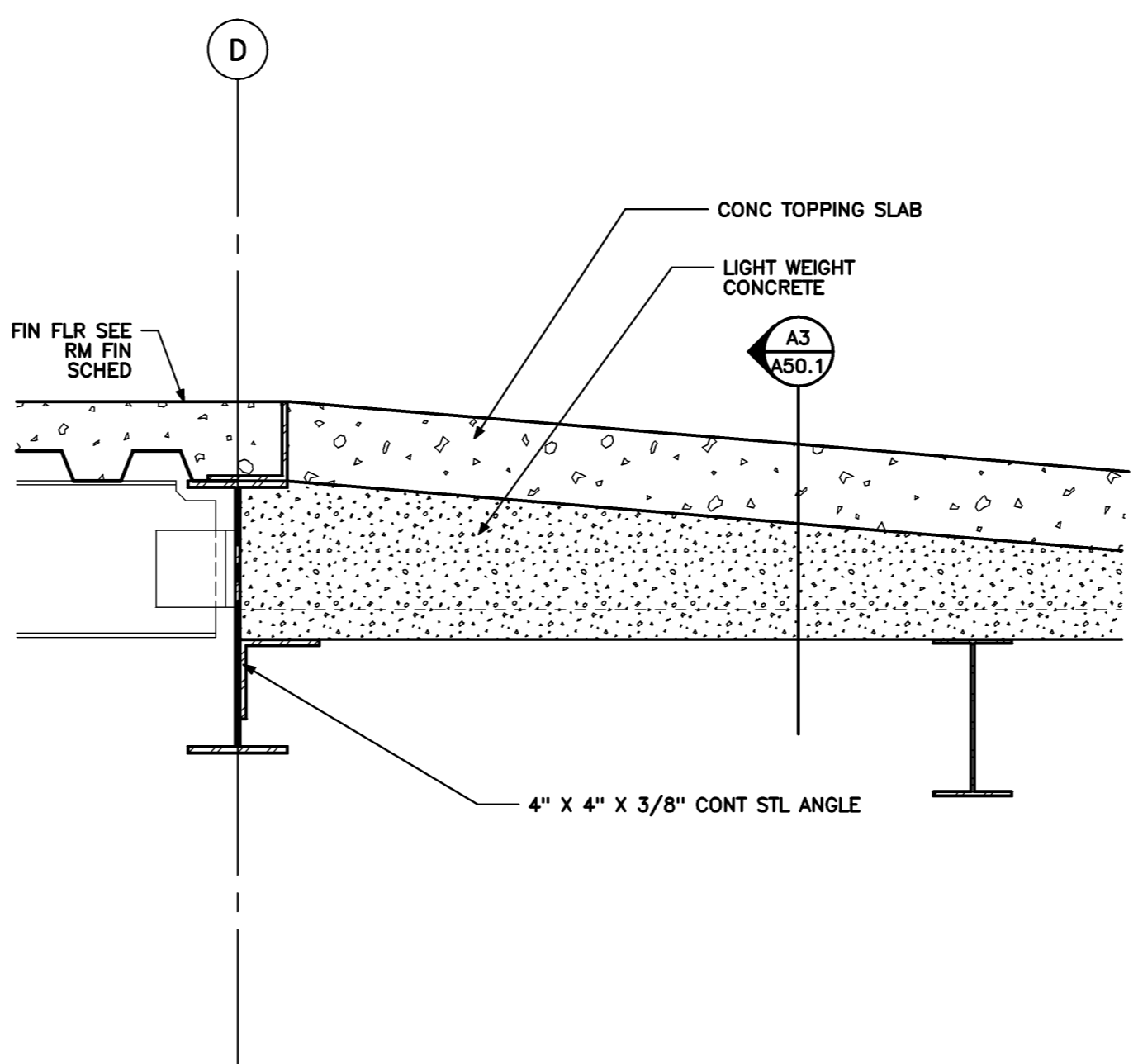
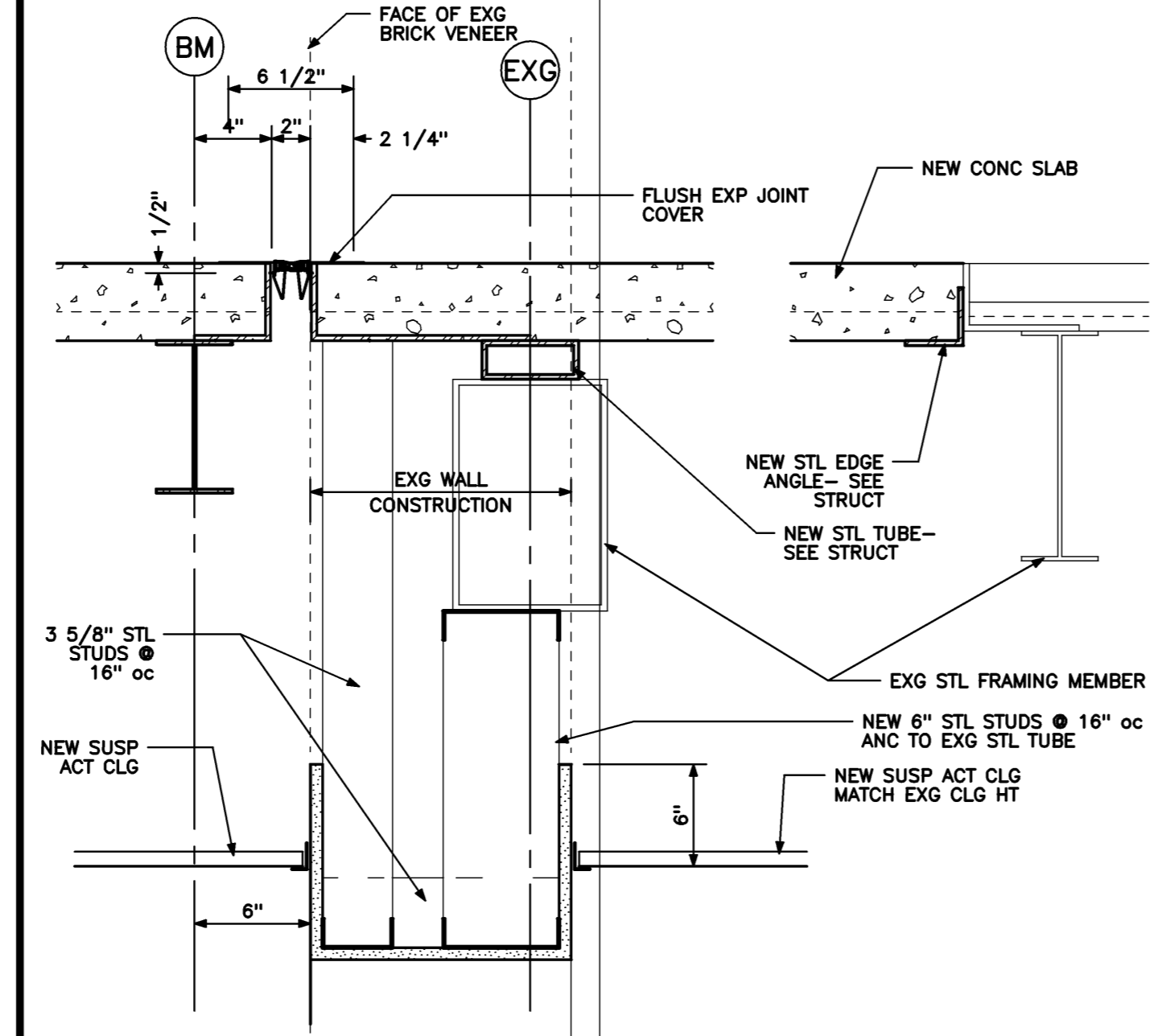
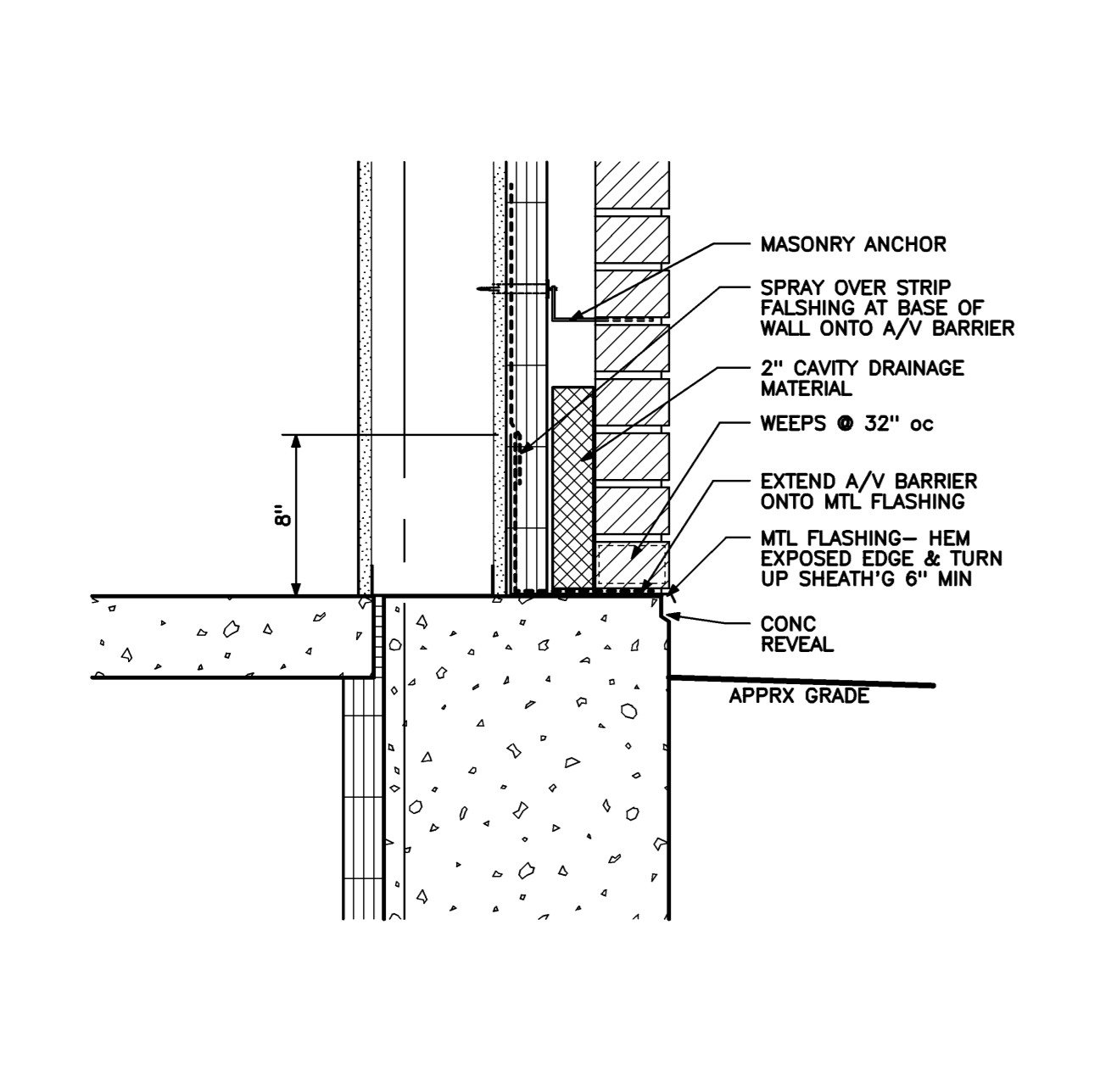


NOT USED
1 1/2" = 1'-0"
REF: NA

CONNECTION AT EXISTING BUILDING DETAIL
1 1/2" = 1'-0"
REF: A2/A30.3

INTERIOR SECTION DETAIL AT SKYLIGHT
1 1/2" = 1'-0"
REF: B2/A25.1

INTERIOR SECTION DETAIL AT SHAFT WALL
1 1/2" = 1'-0"
REF: A1/A25.1



EXTERIOR SECTION DETAIL
1 1/2" = 1'-0"
REF: A2/A30.2

CONNECTION AT EXISTING BUILDING DETAIL
1 1/2" = 1'-0"
REF: A2/A30.3

RAMP DETAIL
1 1/2" = 1'-0"
REF: A3/A25.1

INTERIOR SECTION DETAIL AT SHAFT WALL
1 1/2" = 1'-0"
REF: A1/A25.1

05-15-06	ISSUED FOR CONSTRUCTION
03-14-06	FINAL REVIEW
Mark	Date
	Description

Drawing Status

Drawing Title
DETAILS

PA / PE: **JMB** Drawn By: **MCM**

Drawing Number
A50.2