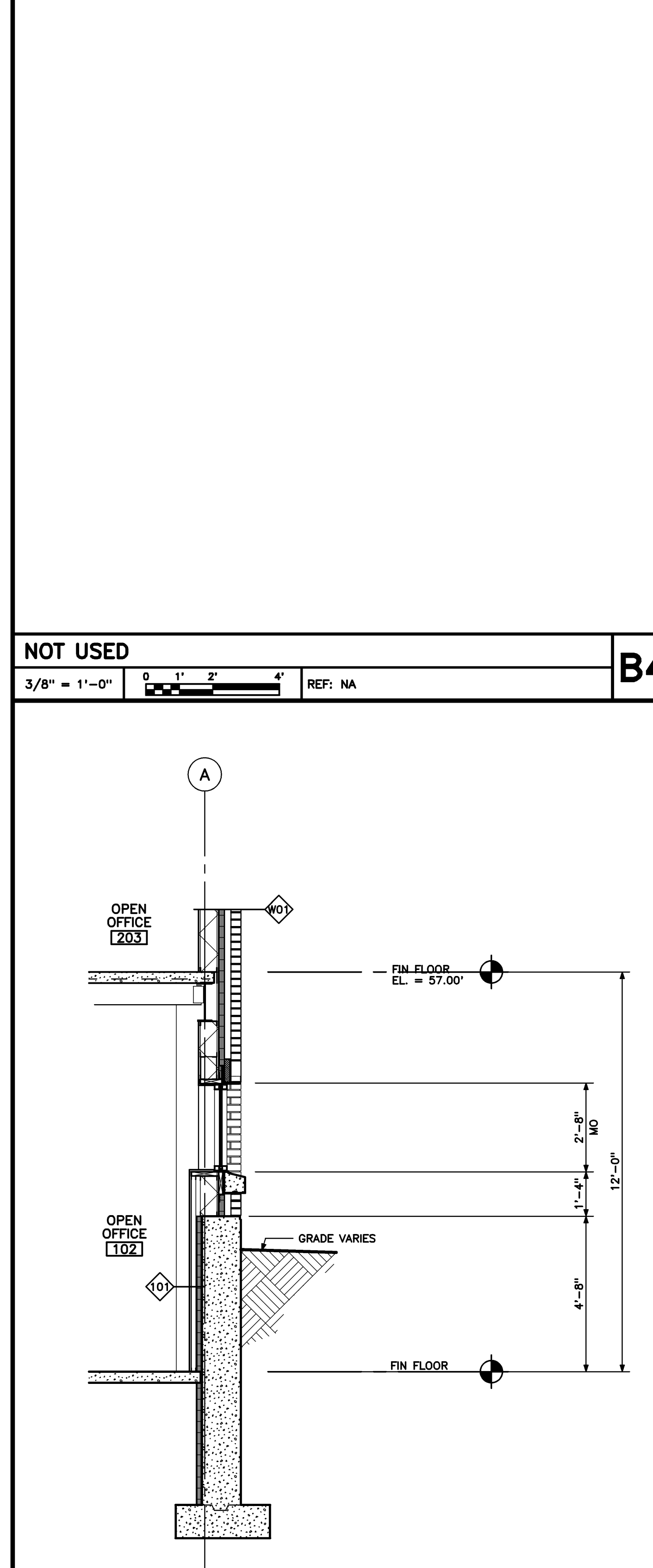
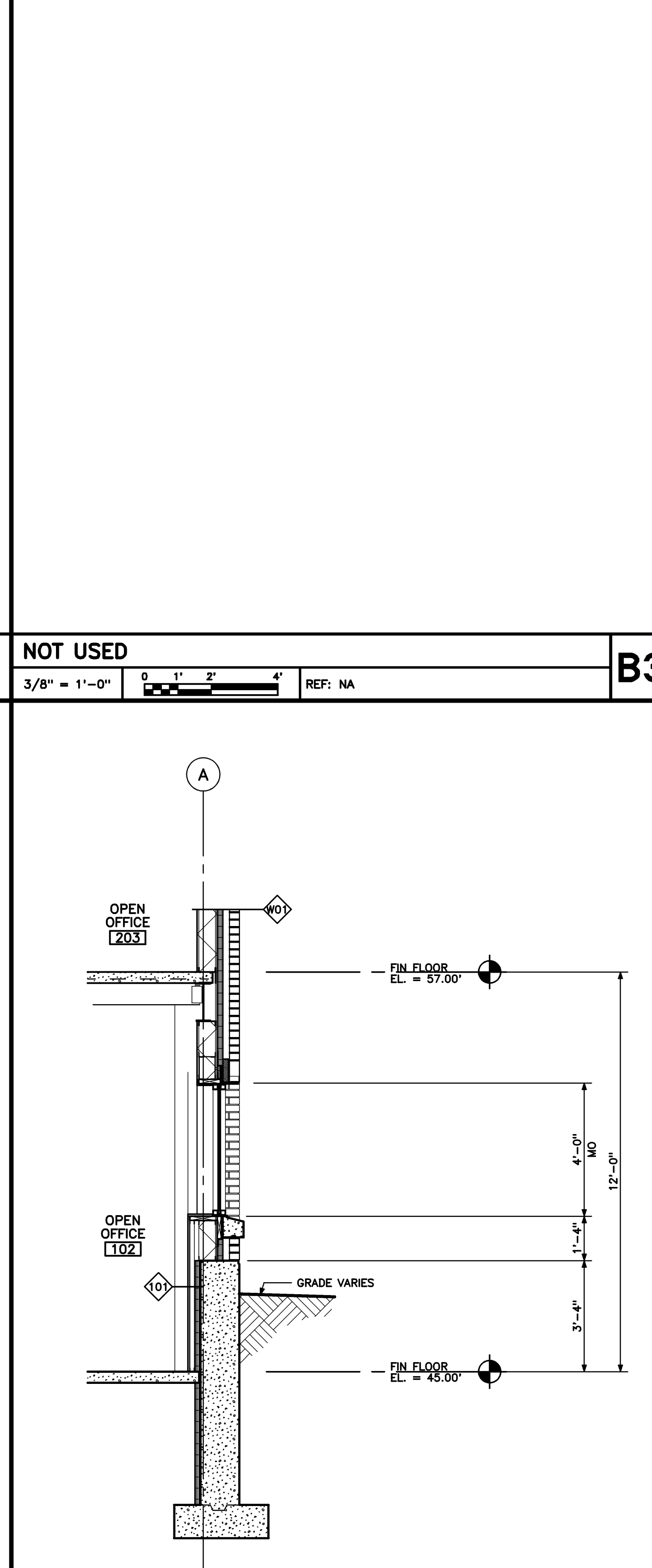
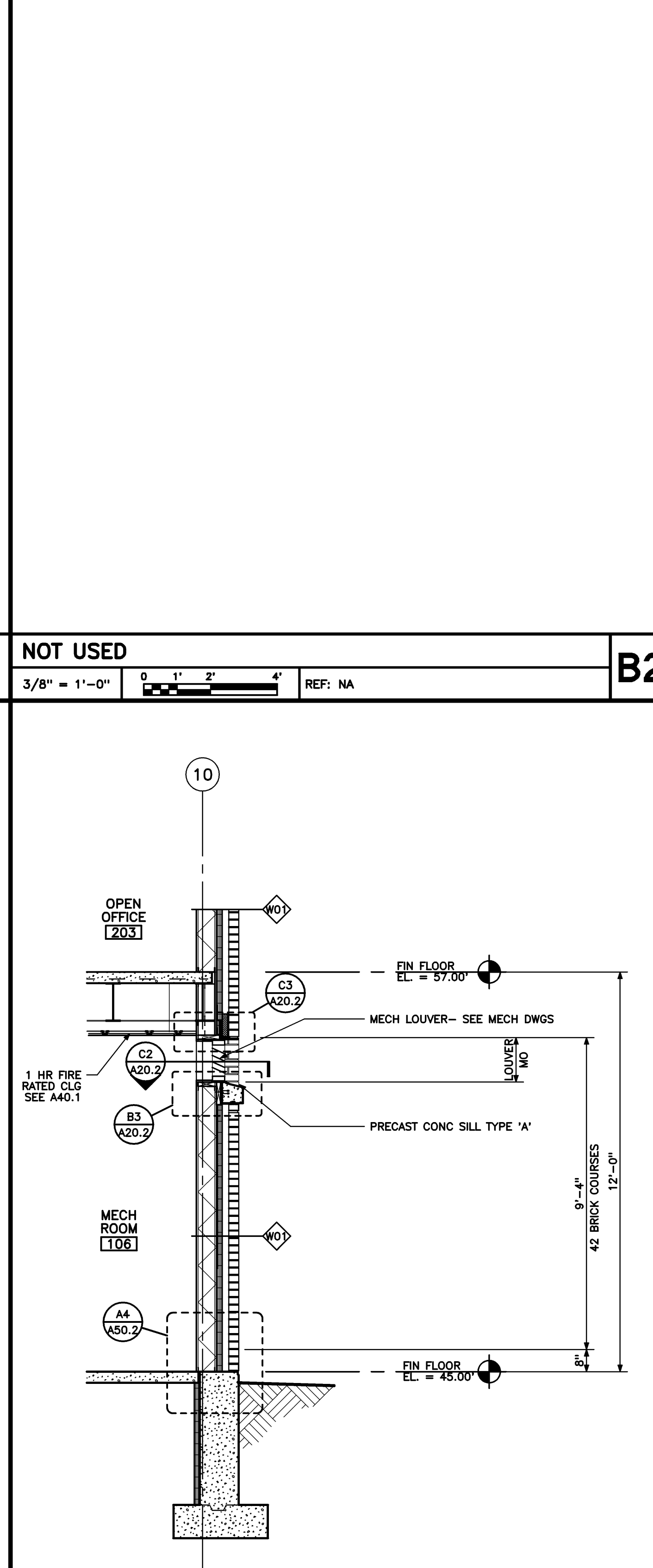
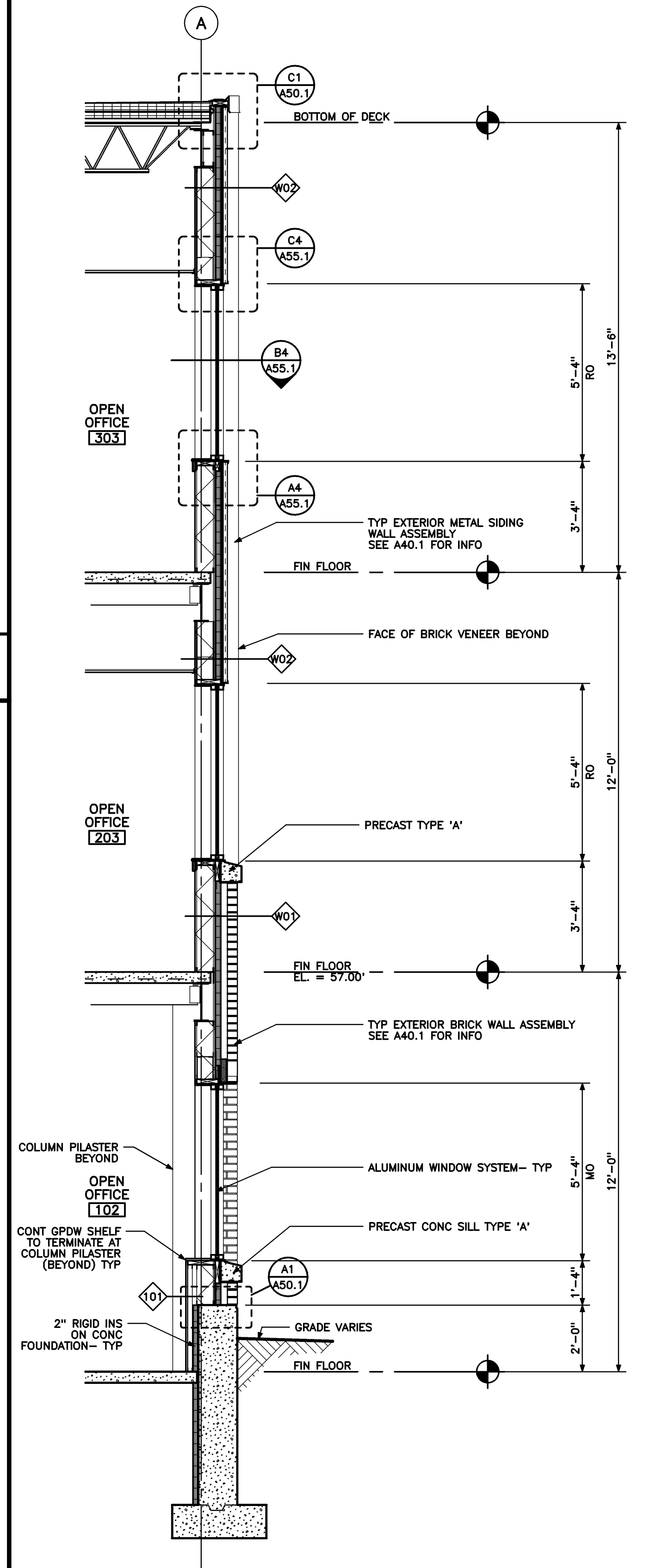
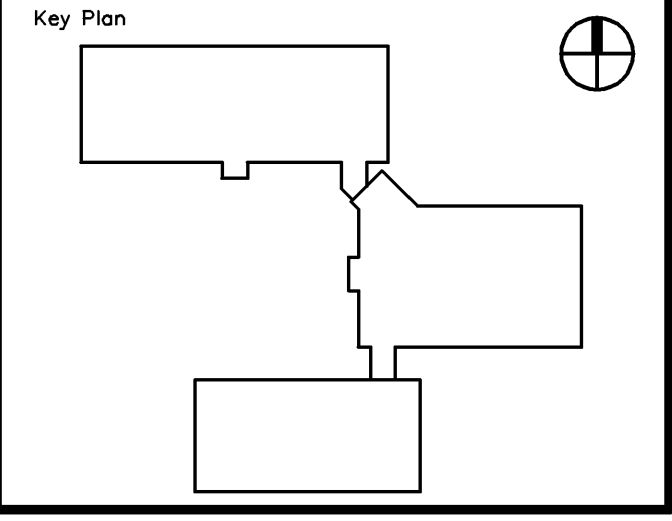


Project Title
**WOODARD & CURRAN
 OFFICE ADDITION**

PORTLAND, MAINE

HA Project No. **05178**



Mark	Date	Description
-	05-15-06	ISSUED FOR CONSTRUCTION
-	03-14-06	FINAL REVIEW

Issue Dates

Drawing Status

--	--	--

Drawing Title
WALL SECTIONS

PA / PE: **JMB** Drawn By: **MCM**

Drawing Number

A30.2

NOT USED
 3/8" = 1'-0" REF: NA

NOT USED
 3/8" = 1'-0" REF: NA

NOT USED
 3/8" = 1'-0" REF: NA

WALL SECTION
 3/8" = 1'-0" REF: A10.1

WALL SECTION
 3/8" = 1'-0" REF: A10.1

WALL SECTION
 3/8" = 1'-0" REF: A10.1

WALL SECTION
 3/8" = 1'-0" REF: A10.1