

Project Title  
**WOODARD & CURRAN  
 OFFICE ADDITION**

PORTLAND, MAINE

HA Project No. **05178**

Key Plan

05-15-06 ISSUED FOR CONSTRUCTION

03-14-06 FINAL REVIEW

02-03-06 DD REVIEW

Mark	Date	Description

Issue Dates

Drawing Status

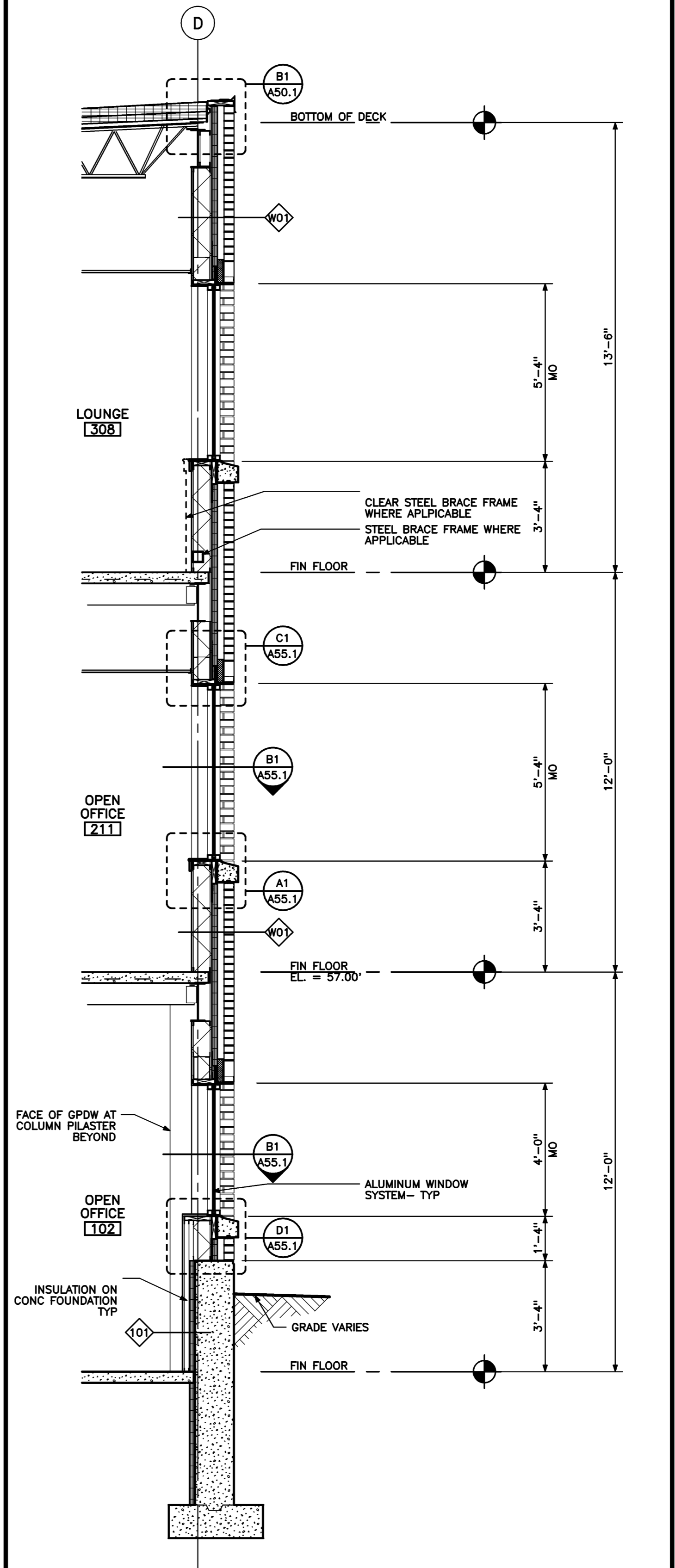
Drawing Title

**WALL SECTIONS**

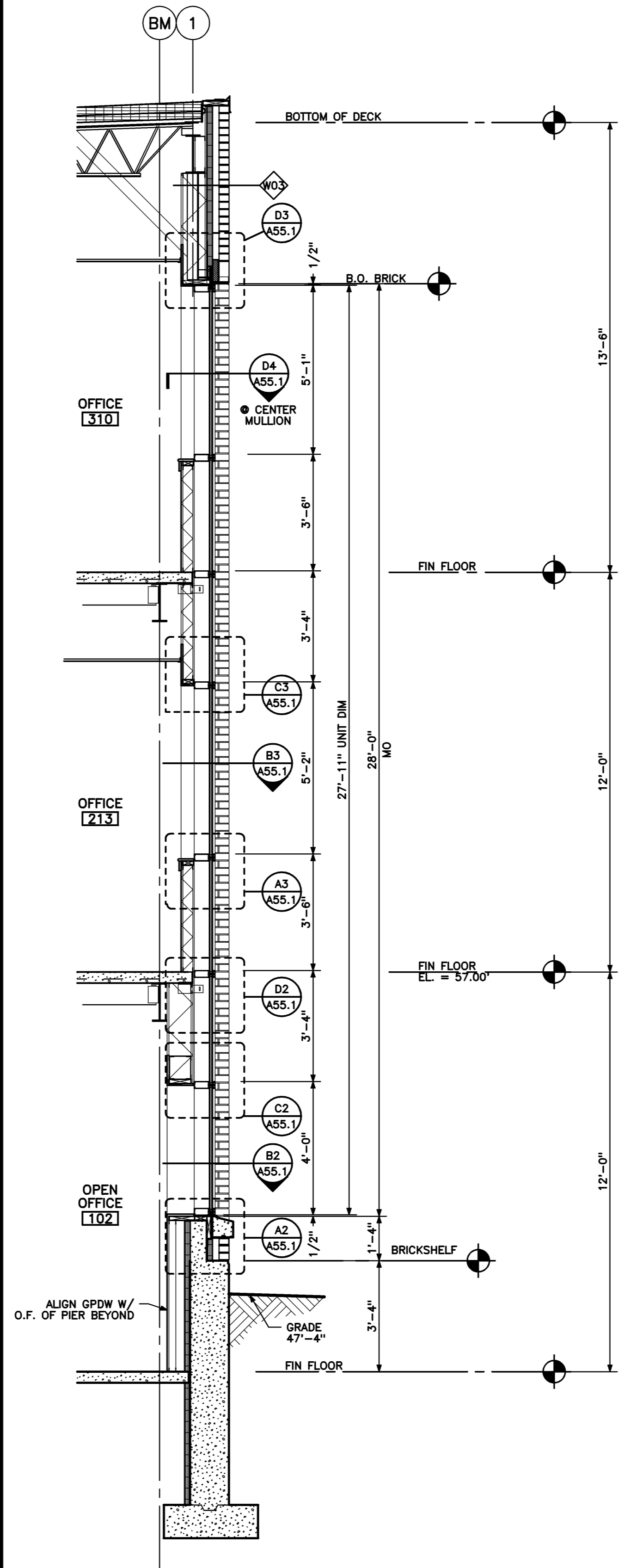
PA / PE: **JMB** Drawn By: **MCM**

Drawing Number

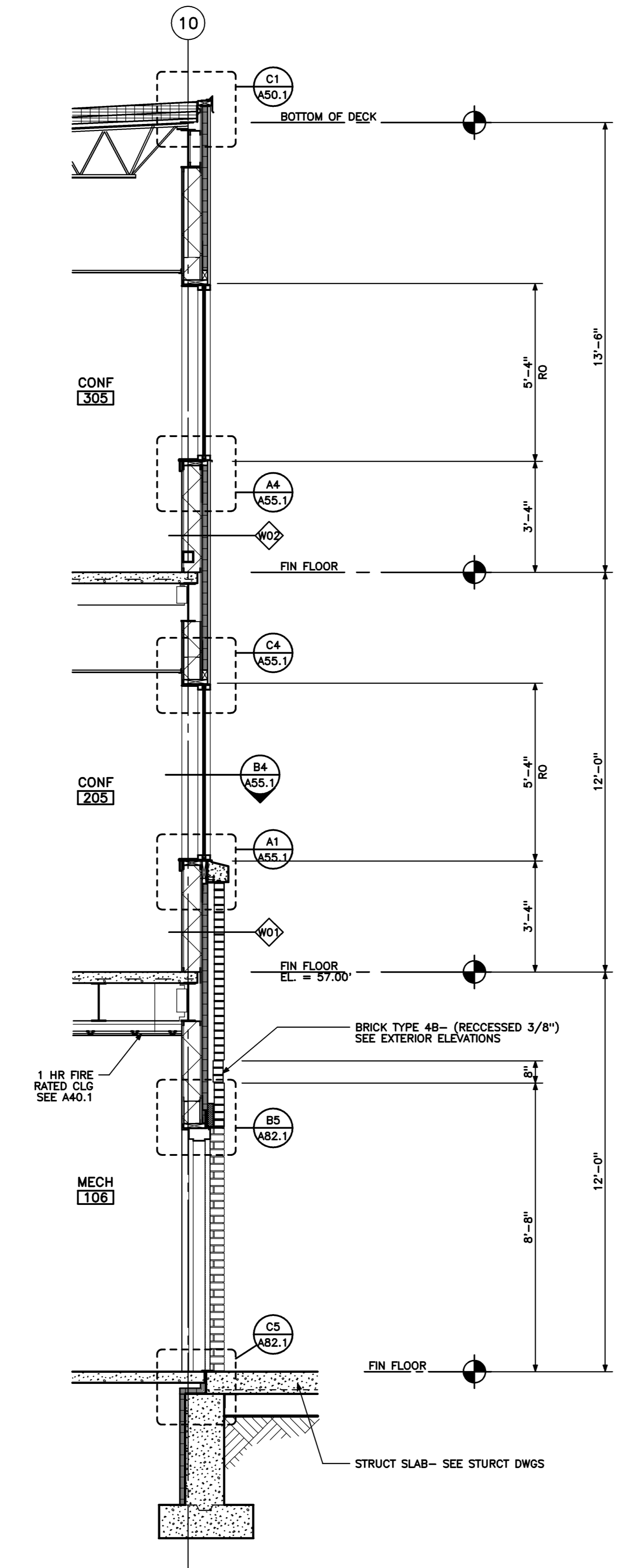
**A30.1**



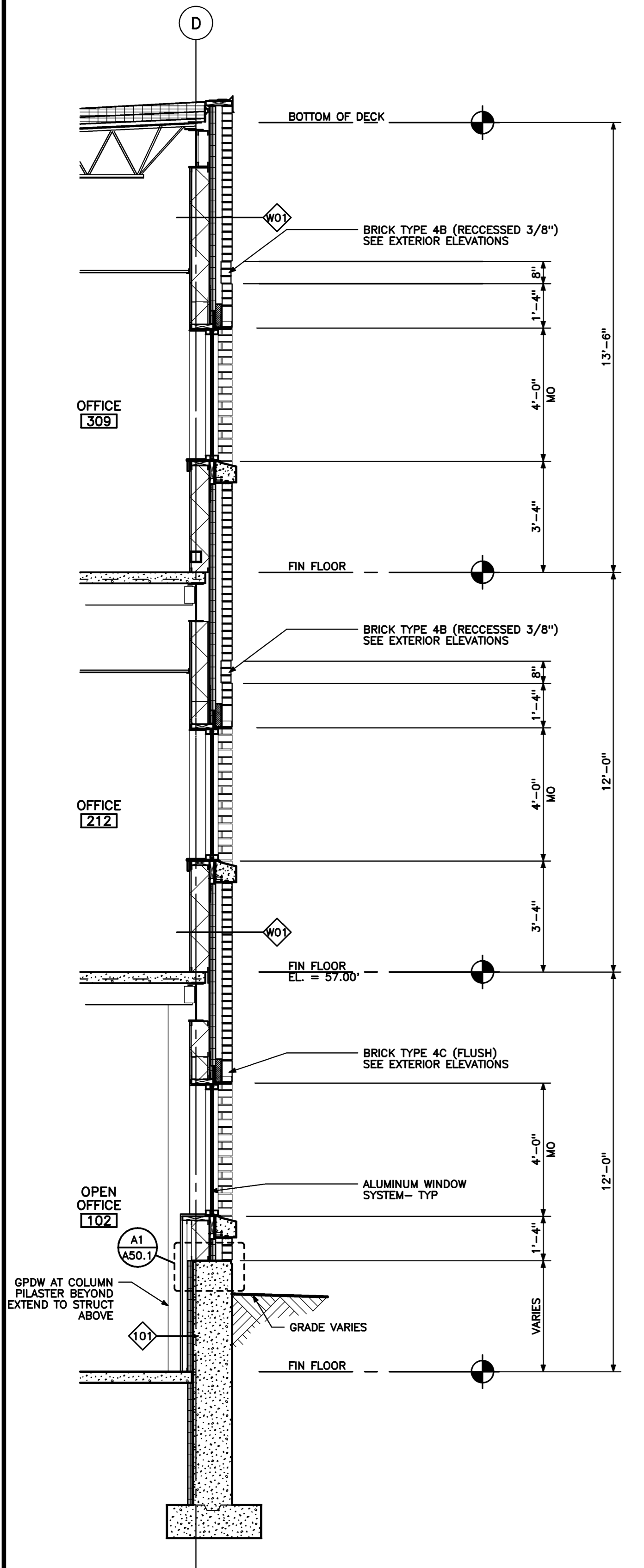
**A1** TYP WALL SECTION  
 3/8" = 1'-0" REF: A10.1



**A2** WALL SECTION  
 3/8" = 1'-0" REF: B1/A20.1



**A3** WALL SECTION  
 3/8" = 1'-0" REF: A1/A25.1



**A4** WALL SECTION  
 3/8" = 1'-0" REF: A10.1