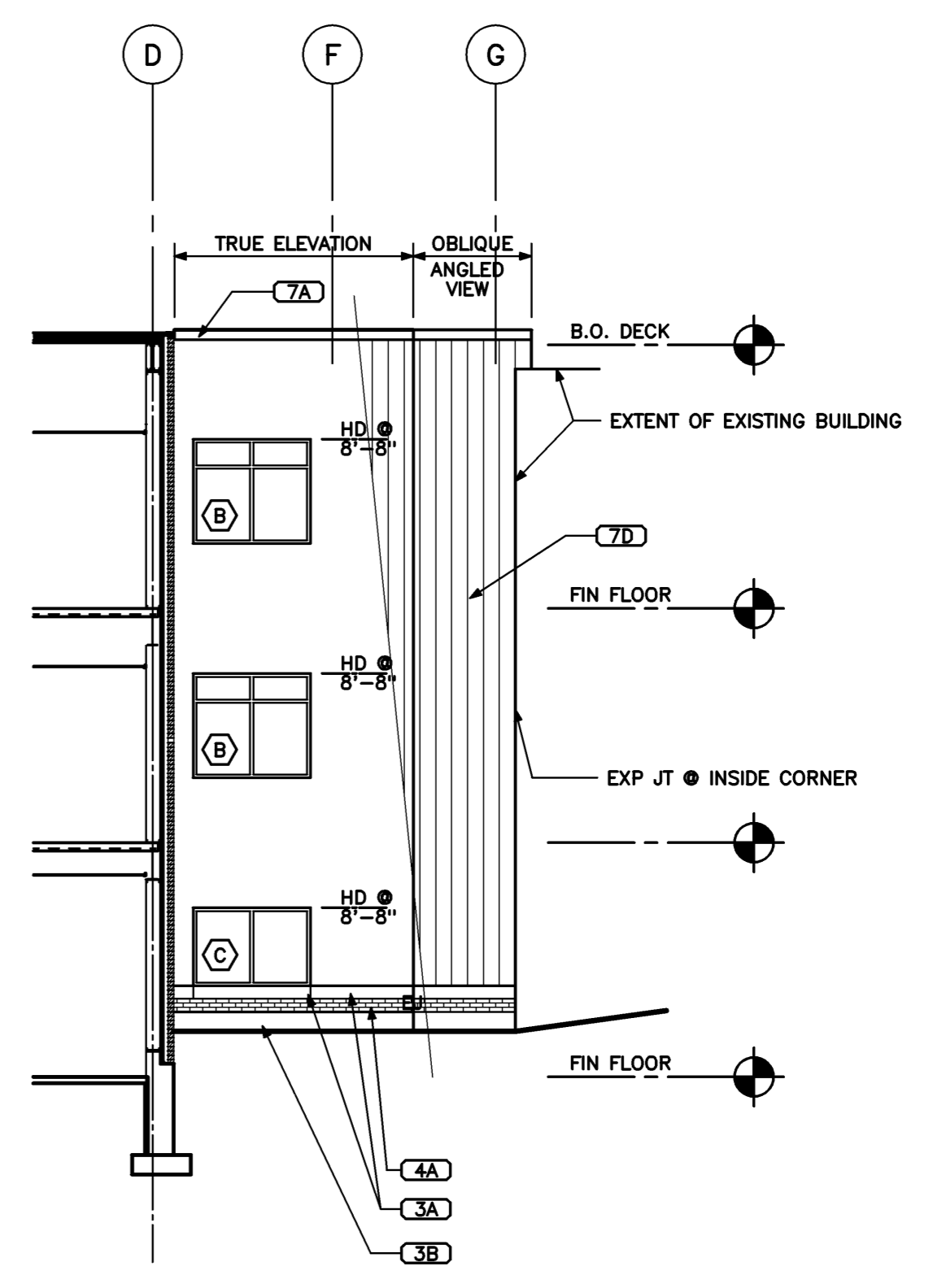


Project Title
**WOODARD & CURRAN
 OFFICE ADDITION**

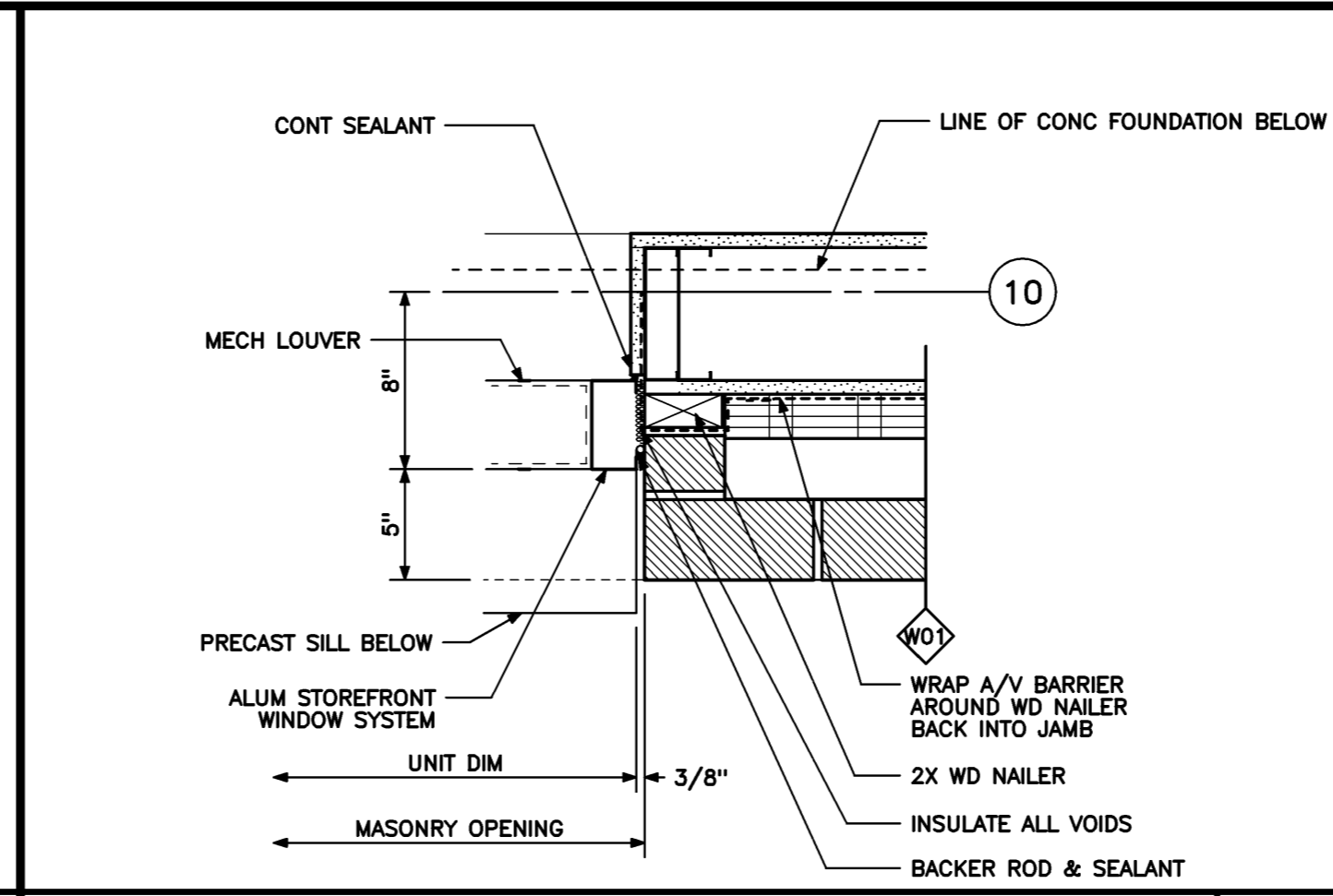
PORTLAND, MAINE

HA Project No. **05178**

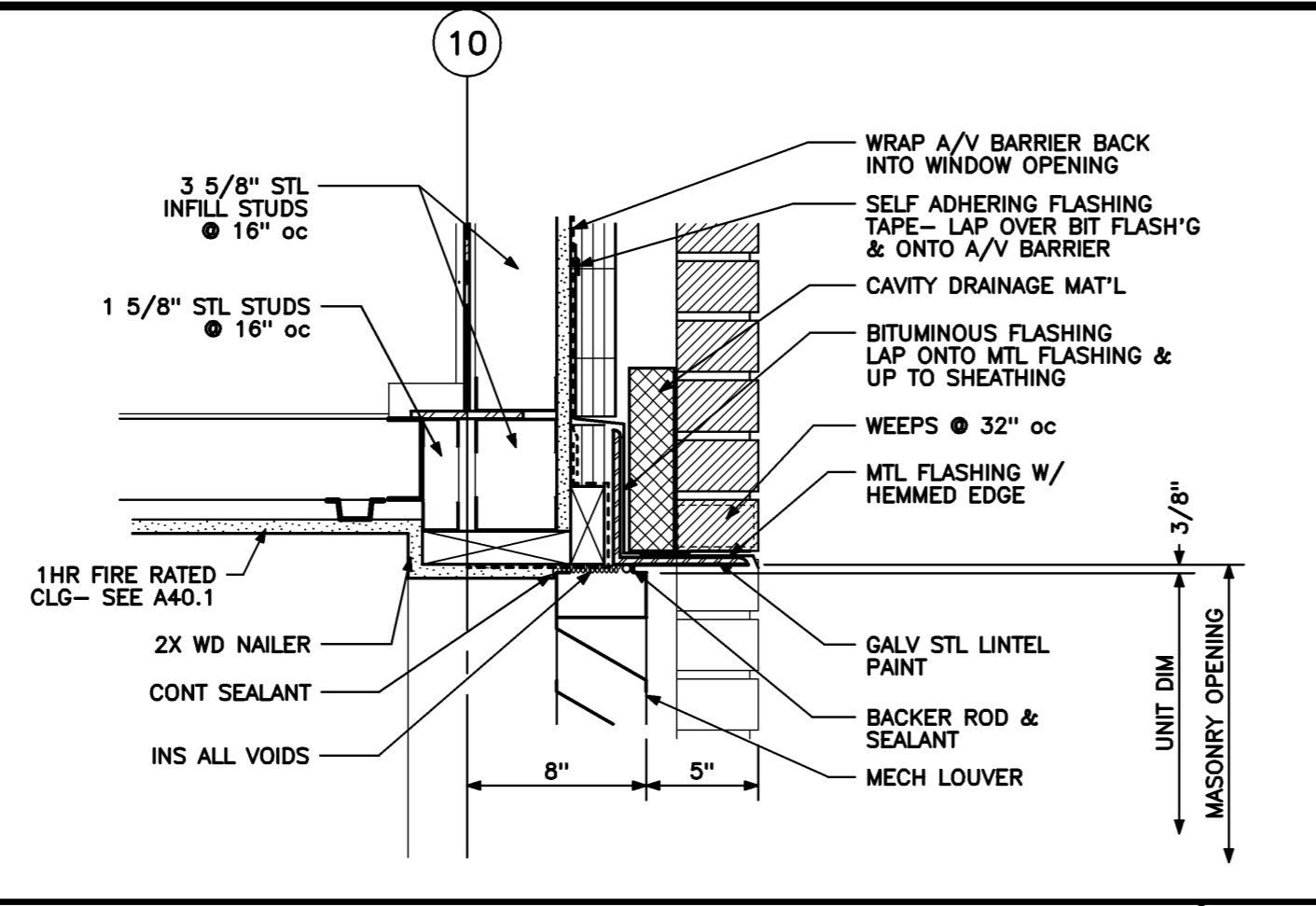
Key Plan



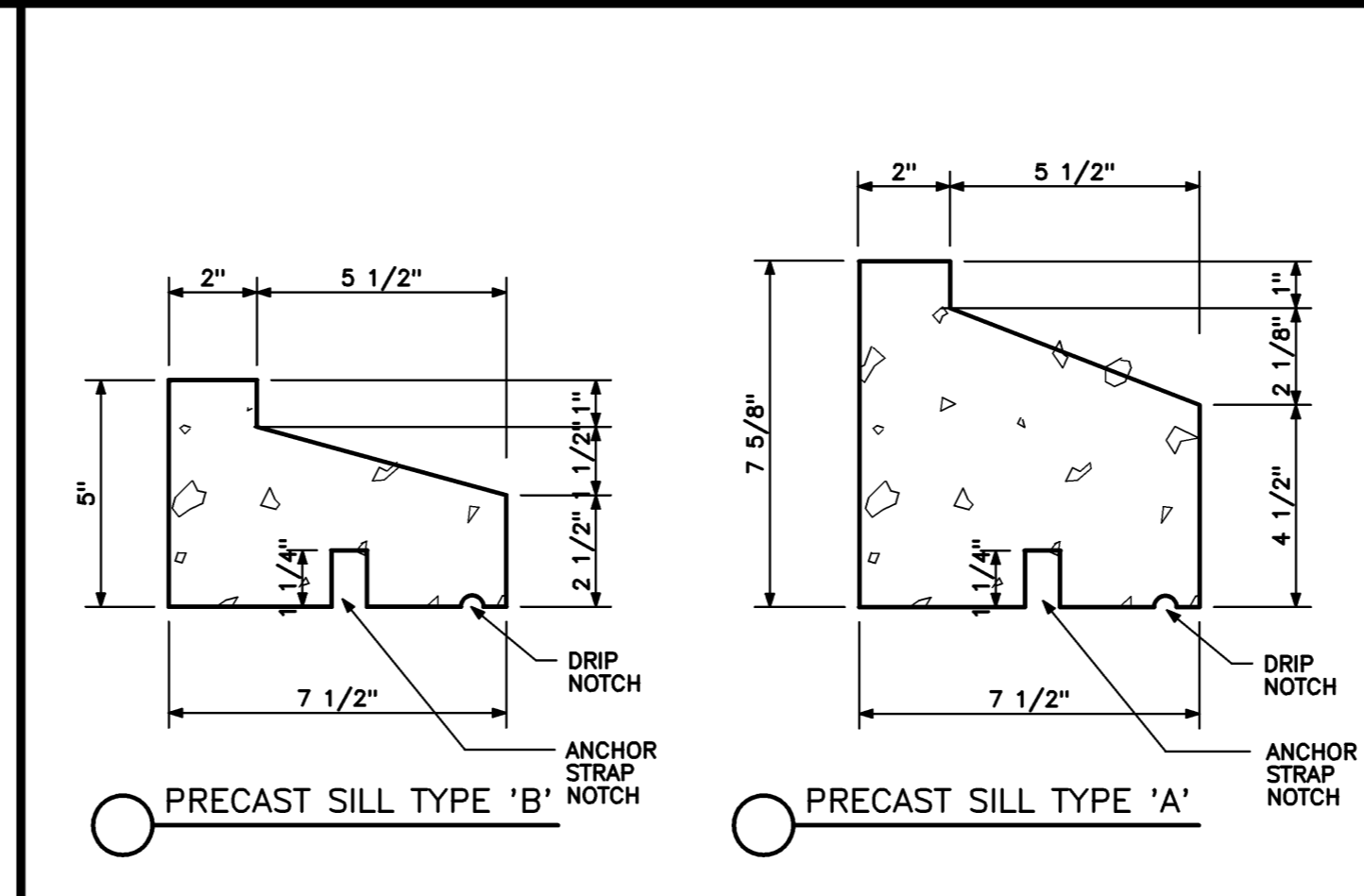
EXTERIOR ELEVATION
 1/8" = 1'-0" REF: A10.1



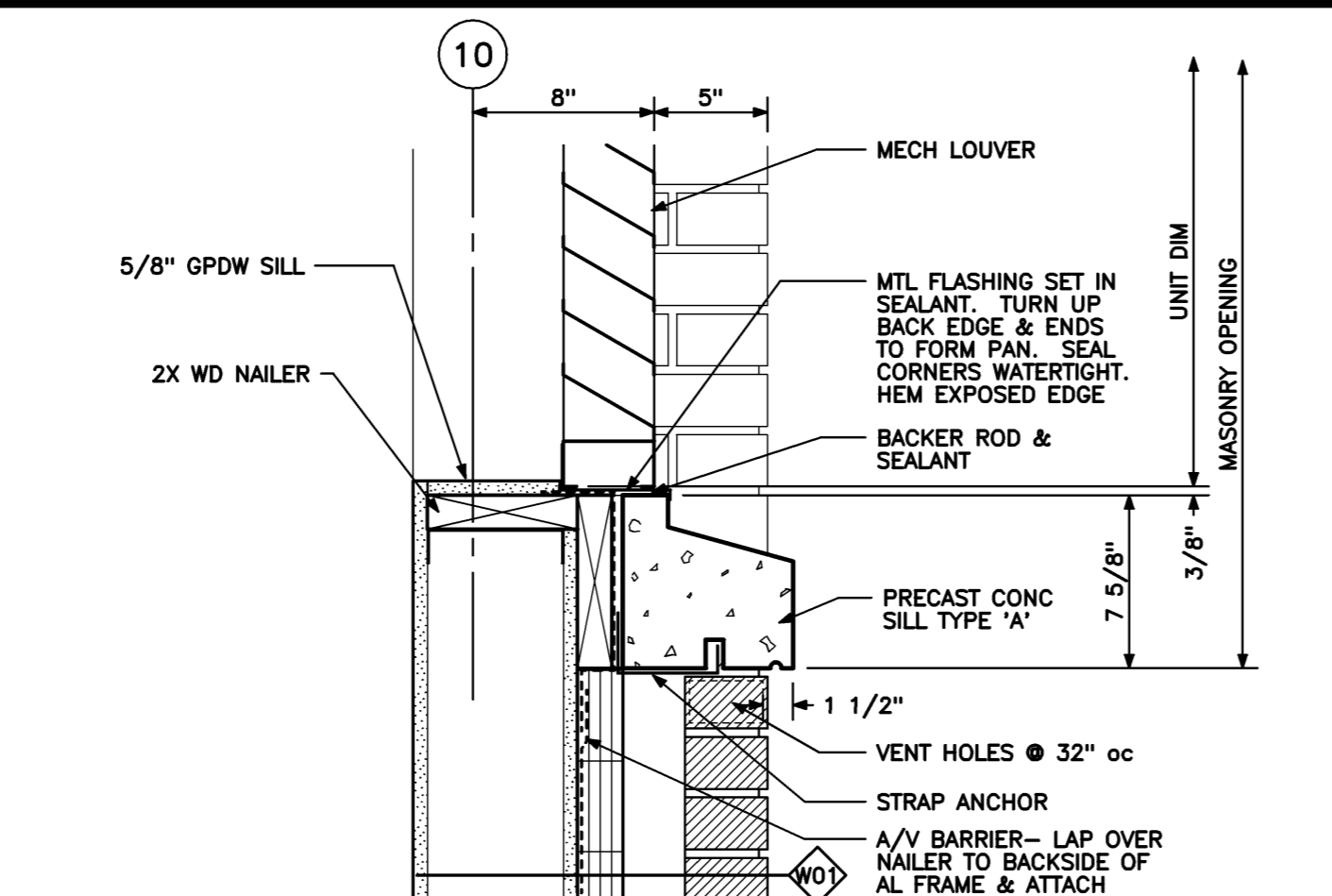
JAMB DETAIL AT MECHANICAL LOUVER
 1 1/2" = 1'-0" REF: A2/A30.2



HEAD DETAIL AT MECHANICAL LOUVER
 1 1/2" = 1'-0" REF: A2/A30.2

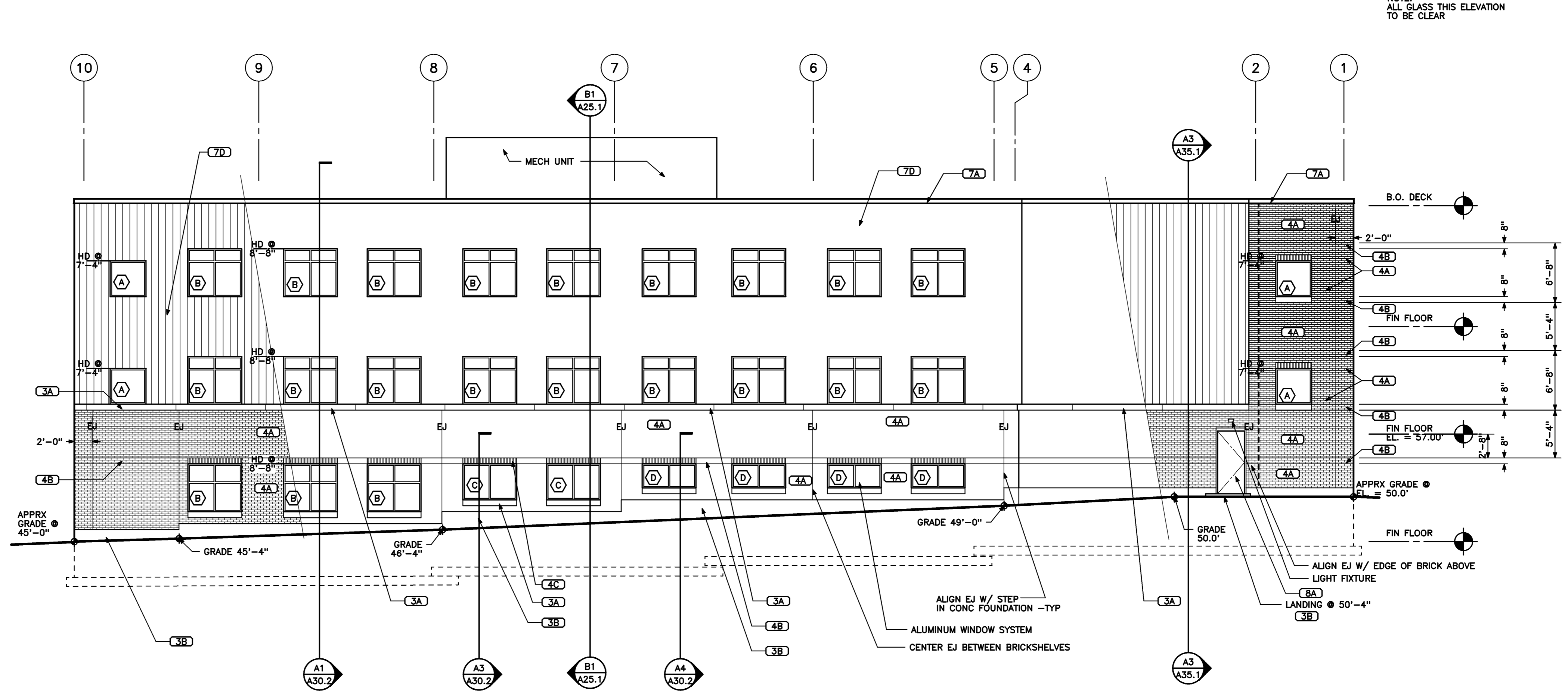


PRECAST CONCRETE DETAILS
 3" = 1'-0" REF: A4/A20.1



SILL DETAIL AT MECHANICAL LOUVER
 1 1/2" = 1'-0" REF: A2/A30.2

CODE	MATERIAL	MFR / COLOR	REMARKS
3A	PRECAST CONCRETE TYPE 'A'	NATURAL	SEE B2/A20.2
3B	EXPOSED CONCRETE	NATURAL	
3C	PRECAST CONCRETE TYPE 'B'	NATURAL	SEE B2/A20.2
4A	BRICK VENEER #1	MORIN: BROWNSTONE WATERSTRUCK STANDARD	FLUSH
4B	BRICK VENEER #1	MORIN: BROWNSTONE WATERSTRUCK STANDARD	(3) BRICK COURSES RECESSED 3/8"
4C	BRICK VENEER #1	MORIN: BROWNSTONE WATERSTRUCK STANDARD	SOLDIER COURSE-FLUSH
7A	PRE-FINISHED MTL ROOF EDGE	COLOR TO MATCH SIDING	
7B	METAL FLASHING	---	
7C	PRE-FINISHED METAL TRIM	COLOR TO MATCH SIDING	
7D	PRE-FINISHED METAL SIDING	CONCEALED FASTENER METAL WALL PANEL (COLOR TO MATCH EXG BUILDING)	VERTICAL APPLICATION
7E	PRE-FINISHED METAL SIDING	METAL FACE COMPOSITE WALL PANEL COLOR TBD	
8A	HOLLOW METAL DOOR AND FRAMES	PAINT TO MATCH BRICK	
8B	PYRAMIDAL SKYLITE	WASCO PRODUCTS INC C-PY-5252	



NORTH EXTERIOR ELEVATION
 1/8" = 1'-0" REF: A10.1

EXTERIOR ELEVATION MATERIALS LEGEND
 1/8" = 1'-0" REF: NA

Mark	Date	Description
05-15-06		ISSUED FOR CONSTRUCTION
03-14-06		FINAL REVIEW
02-03-06		DD REVIEW

Issue Dates

Drawing Title
EXTERIOR ELEVATIONS
PA / PE: JMB Drawn By: MCM
Drawing Number

A20.2