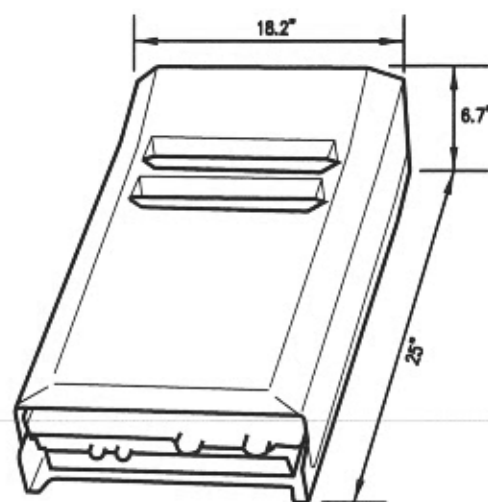


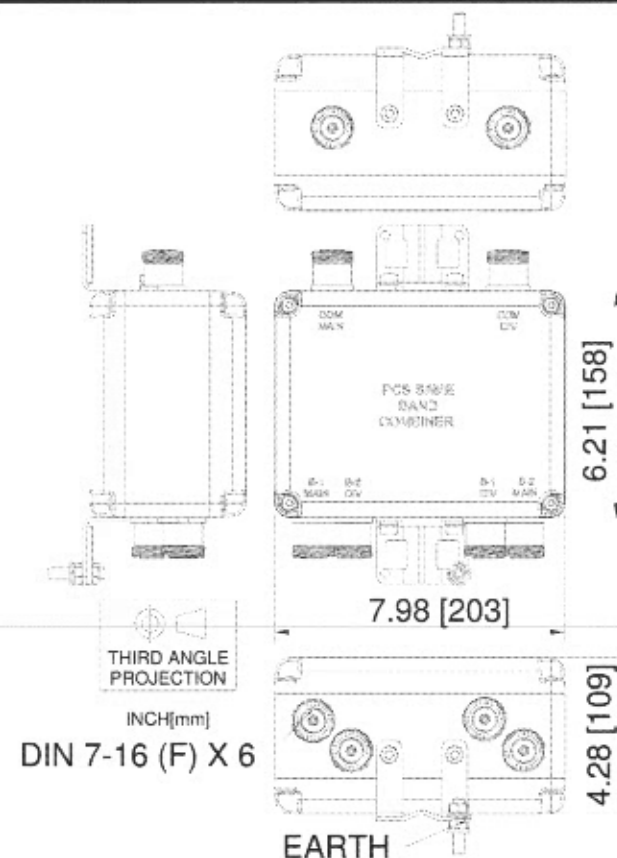
**TYPICAL CAC-A32214090 DETAIL**

SCALE: N.T.S.



**TYPICAL RRUS DETAIL**

SCALE: N.T.S.



**TYPICAL COMBINDER DETAIL**

SCALE: N.T.S.

PLANS PREPARED FOR:



PROJECT INFORMATION

**853327-BLUEBERRY ROAD**  
64 BLUEBERRY ROAD  
PORTLAND, ME 04102  
(CUMBERLAND COUNTY)

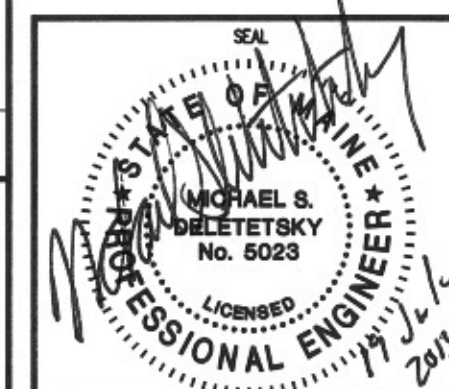
PLANS PREPARED BY:



343 Gorham Road, South Portland ME 04106  
P: (207) 761-1770 F: (207) 774-1246 www.amec.com

PROJECT COORDINATION & MANAGEMENT:

**KJK Wireless, LLC**  
127 Ridge Road, Nashua, NH 03062  
Phone: (603) 888-8974



REV	DATE	ISSUED FOR
1	7/19/13	ISSUED FOR CONSTRUCTION
2	5/23/13	ISSUED FOR CONSTRUCTION

PROJECT NO: 3618138235

DRAWN BY: CBM

RELEASED BY: MSD

SHEET TITLE  
**PROPOSED EQUIPMENT DETAILS**

SHEET NUMBER	REVISION:
<b>C-2</b>	<b>1</b>