

# TrueAlert™ NON-ADDRESSABLE MULTI-CANDELA VISIBLE NOTIFICATION APPLIANCE

### PRODUCT INFORMATION

#### FEATURES:

- UL LISTED TO STANDARD 1971
- ADA COMPATIBLE
- SYNCHRONIZATION FLASH RATE MODE FOR USE WITH:
  - SEPARATE STROBE SYNCHRONIZATION MODULES THAT ARE AVAILABLE FOR CLASS B OR CLASS A OPERATION
  - SEPARATE SMARTSYNC CONTROL MODULES (SCMs) THAT PROVIDE CLASS B OR CLASS A OUTPUT FROM CONVENTIONAL NAC INPUTS

#### SPECIFICATIONS:

- HOUSING DIMENSIONS: 5-1/8" H X 5" W X 2-3/4" D (130mm X 127mm X 70mm)
- TEMPERATURE RANGE: 32°F TO 122°F (0 TO 50°C)
- HUMIDITY RANGE: 10% TO 93% NON-CONDENSING AT 100°F (38°C)
- TERMINAL BLOCKS FOR 18AWG TO 12AWG; TWO WIRES PER TERMINAL FOR IN/OUT WIRING.

#### WIRING:

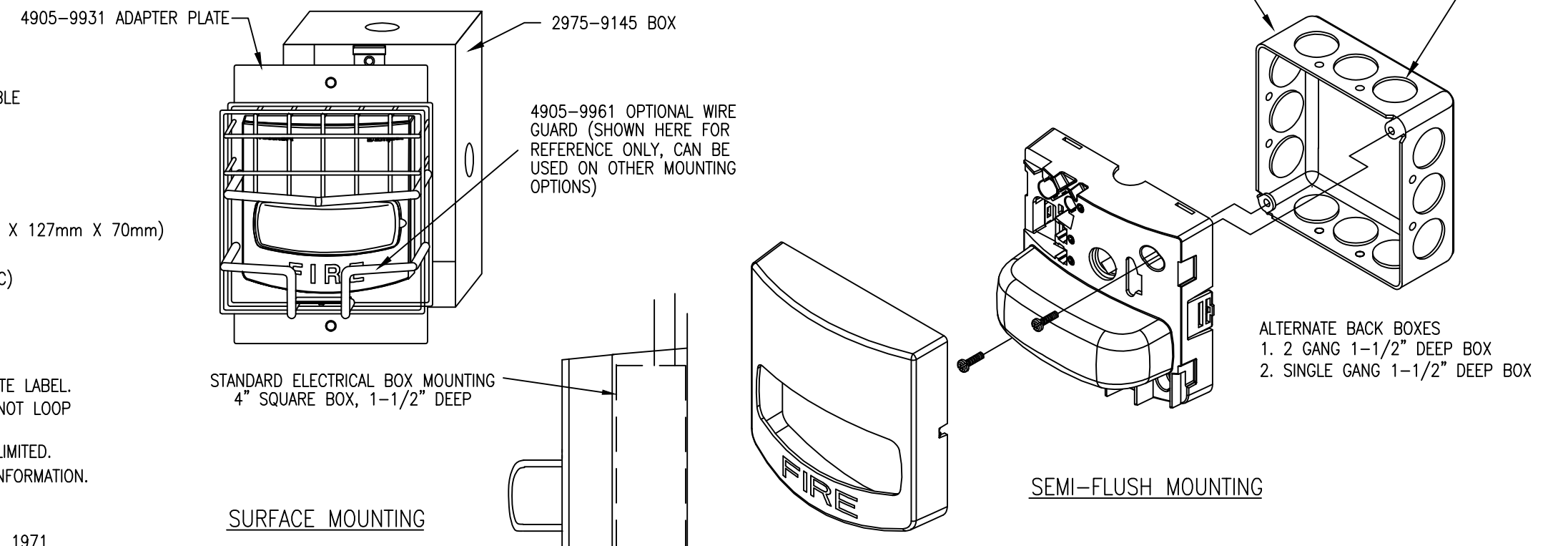
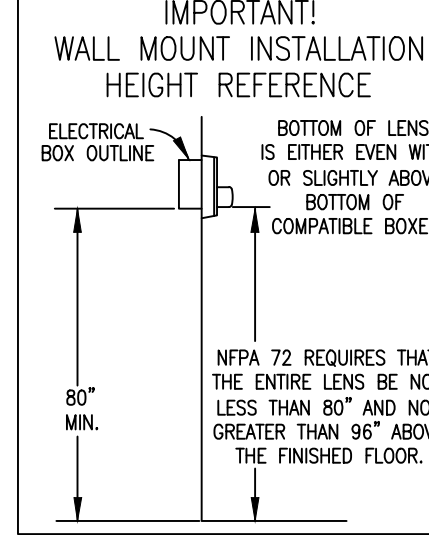
1. NOTIFICATION APPLIANCES ARE RATED PER INDIVIDUAL NAMEPLATE LABEL.
2. MAINTAIN CORRECT POLARITY ON TERMINAL CONNECTIONS. DO NOT LOOP WIRES UNDER TERMINALS.
3. ALL NAC WIRING CONNECTIONS ARE SUPERVISED AND POWER-LIMITED.
4. SEE INSTALLATION INSTRUCTIONS (579-548) FOR ADDITIONAL INFORMATION.

#### STROBE:

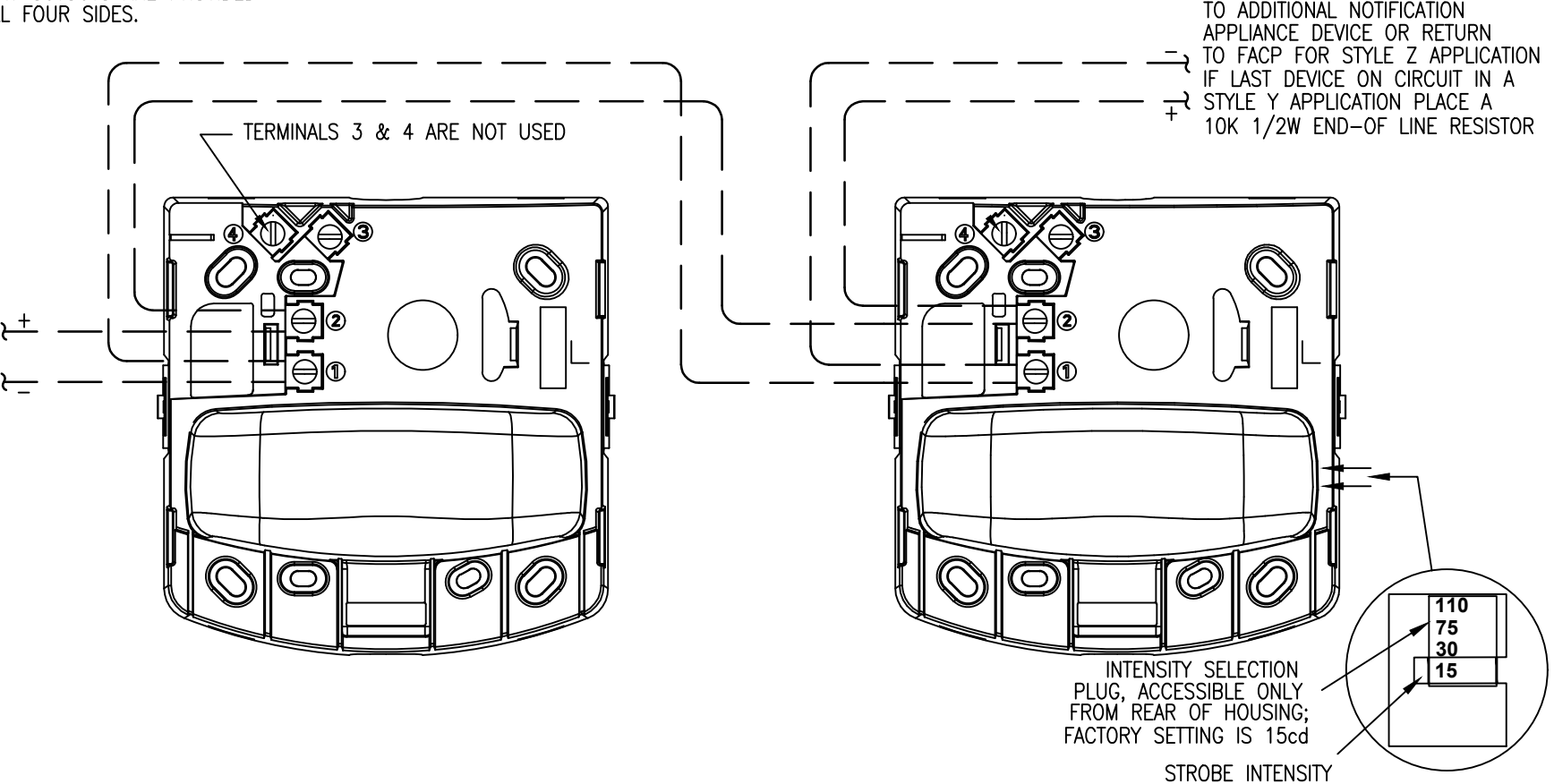
- RATED VOLTAGE RANGE: UL LISTED: 16 VDC TO 33 VDC PER UL 1971  
ULC LISTED: 20 VDC TO 30 VDC PER ULC 5526-M878
- FLASH RATE: 1Hz
- SYNCHRONIZED MODE NAC LOADING: MAXIMUM OF 35 SYNCHRONIZED STROBES PER NAC CIRCUIT.

#### \*CURRENT DRAWS REFLECT STROBE FLASHING

MODEL NUMBER	HOUSING COLOR	LETTERING COLOR	STROBE RATING	RMS CURRENT @		
				16 VDC	18 VDC	24 VDC
4906-9101	RED	WHITE	15cd	60 mA	55 mA	40 mA
			30cd	94 mA	84 mA	63 mA
			75cd	186 mA	165 mA	124 mA
4906-9103	WHITE	RED	110cd	252 mA	224 mA	168 mA
			15cd	60 mA	55 mA	40 mA
			30cd	94 mA	84 mA	63 mA
			75cd	186 mA	165 mA	124 mA
			110cd	252 mA	224 mA	168 mA



FROM A COMPATIBLE SIMPLEX SMARTSYNC NAC OR FROM SMARTSYNC CONTROL MODULE (SCM) 4905-9938 OR SIMPLEX 4905-9914 OR 9922 SYNC CUBE



# TrueAlert™ NON-ADDRESSABLE MULTI-CANDELA AUDIBLE/VISIBLE NOTIFICATION APPLIANCE

### PRODUCT INFORMATION

#### FEATURES:

- CLASS B (STYLE Y) OPERATION REQUIRES CONNECTION TO A COMPATIBLE SMARTSYNC NAC OR TO SMARTSYNC CONTROL MODULE (SCM) 4905-9938
- CLASS A (STYLE Z) OPERATION WHEN CONNECTED TO THE 4905-9938 SCM OR 4100U SERIES FIRE ALARM CONTROL PANEL NAC'S

#### SPECIFICATIONS:

- HOUSING DIMENSIONS (INCLUDING LENS) : 5 1/8" H X 5" W X 2 3/4" D
- TEMPERATURE RANGE: 32° F TO 122° F (0° TO 50° C)
- HUMIDITY RANGE: 10% TO 93% NON-CONDENSING AT 100° F (38° C)
- TERMINAL BLOCKS FOR 18 AWG TO 12 AWG; TWO WIRES PER TERMINAL FOR IN/OUT WIRING.

#### HORN

- SOUND OUTPUT CHARACTERISTICS: 2400 TO 3700 Hz SWEEP, MODULATED AT 120 Hz RATE

	HORN SOUND OUTPUT RATINGS @ 10 FT. (3m)					
	16 VDC		24 VDC		33 VDC	
SOUND TYPE *	STEADY	CODED	STEADY	CODED	STEADY	CODED
REVERBERATE CHAMBER UL 464 TEST	86 dBA	82 dBA	88 dBA	84 dBA	90 dBA	86 dBA
ANECHOIC CHAMBER	92 dBA	91 dBA	94 dBA	95 dBA	96 dBA	96 dBA

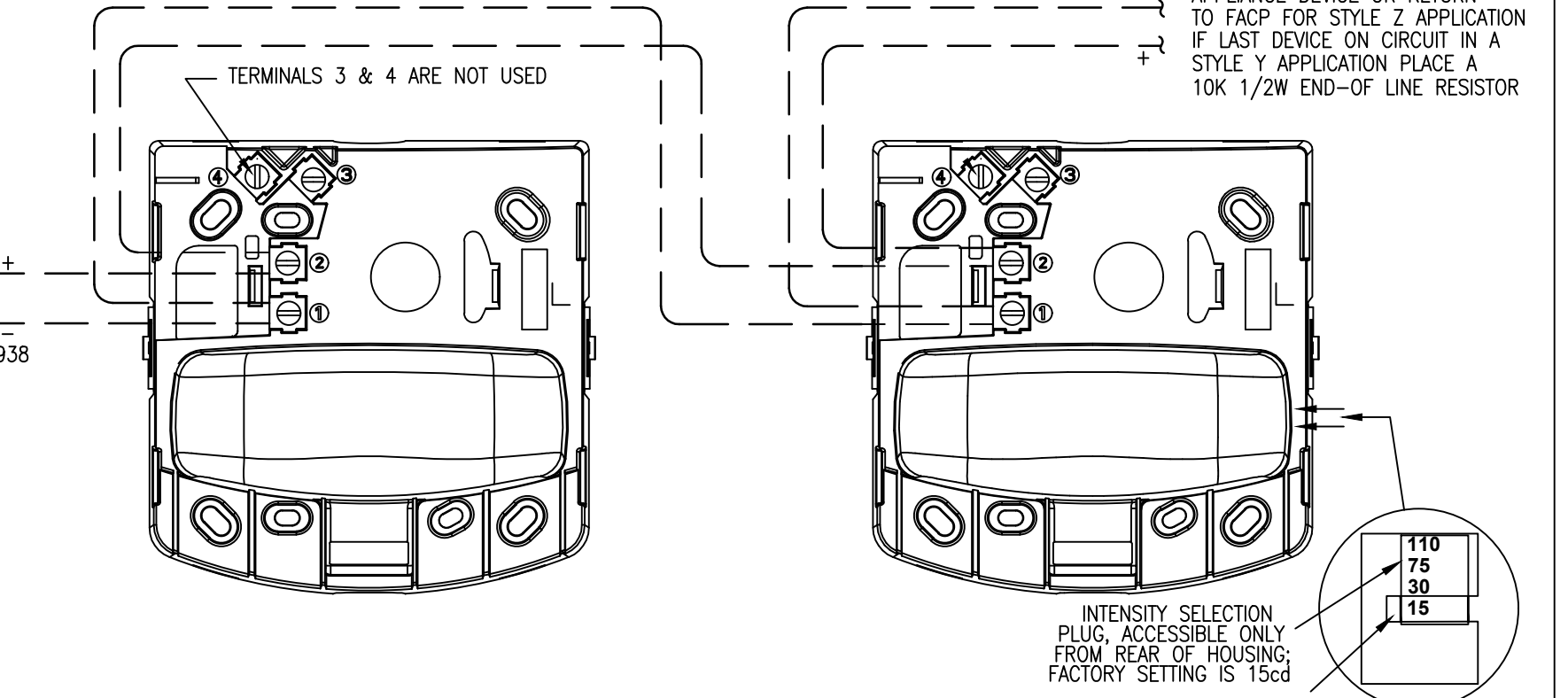
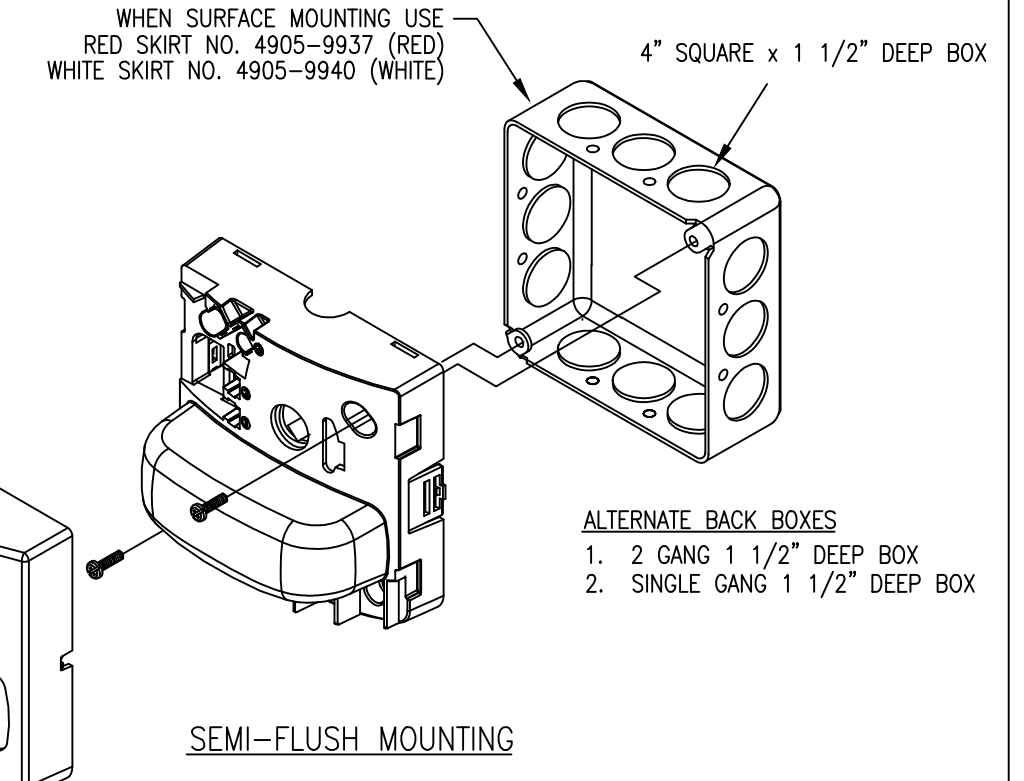
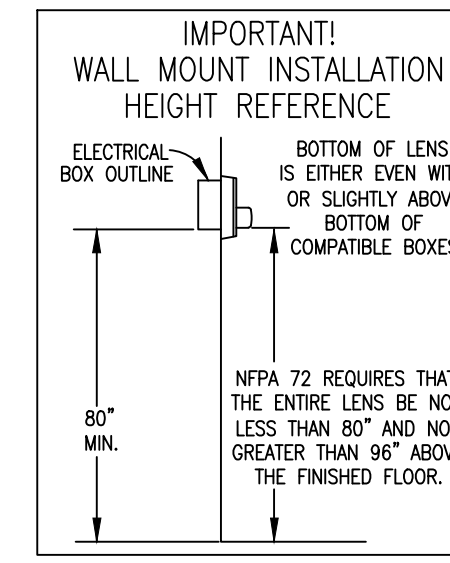
\* CODED VALUES ARE TYPICAL OF THE OUTPUT MEASURED WITH A TEMPORAL CODED OR A MARCH TIME CODED PULSE AND WITH A SOUND LEVEL METER READING ON A "FAST" SETTING; UNDER THE SAME TEST CONDITIONS; CODED HORN OUTPUT "PEAK" SOUND LEVEL READINGS ARE TYPICALLY 4 dBA HIGHER.

#### STROBE

- RATED VOLTAGE RANGE: UL: REGULATED 24VDC PER UL 1971  
ULC: 20VDC TO 30VDC PER ULC 5526-M878
- FLASH RATE: 1Hz
- SYNCHRONIZED MODE NAC LOADING: MAXIMUM OF 35 SYNCHRONIZED STROBES PER NAC CIRCUIT.

#### \*CURRENT DRAWS REFLECT STROBE FLASHING AND HORN ON.

MODEL NUMBER	HOUSING COLOR	LETTERING COLOR	STROBE RATING	RMS CURRENT @		
				16 VDC	18 VDC	24 VDC
4906-9127	RED	WHITE	15cd	75 mA	67 mA	50 mA
			30cd	115 mA	103 mA	77 mA
			75cd	221 mA	196 mA	147 mA
4906-9129	WHITE	RED	110cd	285 mA	253 mA	190 mA
			15cd	75 mA	67 mA	50 mA
			30cd	116 mA	103 mA	77 mA
			75cd	221 mA	196 mA	147 mA
			110cd	285 mA	253 mA	190 mA



**tyco**  
SimplexGrinnell

Safer. Smarter. Tyco.™

DISTRICT - 147  
WESTBROOK, ME 04092  
PHONE: 207-842-8440  
FAX: 207-842-8439

**ECOMAINE - LOCKER ROOM RENOVATIONS**

ECOMAINE  
LOCKER ROOM RENOVATIONS  
PORTLAND, ME 04112

ISSUE NO:	DATE	CHK	DESCRIPTION

DRAWN BY:	M.DESIATA
CHECKED BY:	S.KALAFARSKI
ISSUE DATE:	9/20/16
JOB #:	
PROJECT #:	147-994549801
SYSTEM:	FIRE ALARM SYSTEM

SHEET:

WIRING TYPICALS

**FA-702**

FILE PATH: P:\2016\147\ECOMAINE\SS\DWG\FA-702.dwg

LAST SAVED BY: MDESATIATA

LAST PRINTED: 9/20/2016 12:46:24 PM

24 x 36" - Arch D Size

IMPORTANT NOTICE TO USERS: The drawings or specifications are prepared by the manufacturer and are subject to change without notice. The manufacturer is not responsible for errors or omissions. The user is responsible for verifying the accuracy of the information contained herein and for obtaining the necessary permits for the installation and use of the product. The manufacturer is not responsible for any damage or injury resulting from the use of the product.