



47A York St. Portland, ME 04101  
207.553.7753  
www.colbycoengineering.com

Structural Engineering  
Mechanical Engineering  
Electrical Engineering  
Civil Engineering  
Controls Engineering  
Architecture

Project:  
Ecomaine Scalehouse

Contractor:  
Jewett Construction Inc

Date Received  
May 19, 2017

Date Reviewed:  
May 19, 2017

Submittal Title:  
15400-004 ERV Product Data

Reviewed by:  
Mike Fask

Shop Drawing / Submittal Review

- |  |  |
|--|--|
| <input checked="" type="checkbox"/> Reviewed without comment | <input type="checkbox"/> Reviewed with comments, See Below<br>No resubmission required |
| <input type="checkbox"/> Revise and Resubmit, See Below      | <input type="checkbox"/> Not Reviewed  |

Comments:

Submittal Review Notes:

1. Submittal was reviewed for design conformity and general conformance to the contract documents only. The contractor and their sub-contractors are responsible for confirming and correlating dimensions at the project site for tolerances, clearances, quantities, fabrication processes, and techniques of construction.
2. Contractor Coordination: The contractor shall be responsible for the coordination of this submittal with related building elements. The contractor and their sub-contractors are responsible for coordination of the work with other trades and full compliance with contract documents.
3. Submittal and/or shop drawing reviews and approvals of items which are not considered the architect's or engineer's 'Basis of Design' shall not alleviate the contractor of their responsibility to coordinate all aspects of the proposed item into the construction. These aspects shall include, but not be limited to, physical installation (fit up), power requirements, mechanical requirements, weather proofing and warranties.
4. Reviews and approval of items with this submittal pertain to drawings M-001, M-002, M-101, M-501, and M-601. Unless otherwise stated, all other parts of this submittal shall be considered reference information to be submitted for approval under separate cover.
5. Review and approval of items within this submittal shall not constitute approval of any changes to the scope, schedule, or budget of the project.

# Submittal

**Job:** 1708  
ECOMAINE SCALE HOUSE  
64 Blueberry Road  
Portland, ME 04102


**Spec Section No:** 15400  
**Submittal No:** 004  
**Revision No:** 0  
**Sent Date:** 5/15/2017

**Spec Section Title:**

**Submittal Title:** ERV Product Data

**Contractor:**

Jewett Construction Co., Inc.

 <p>Reviewed for general conformance with the contract documents. The Subcontractor/Supplier submitting this information remains responsible for all details, accuracy, dimensions, quantities, fabrication and installation methods. The submitting Subcontractor/Supplier is required to comply with all local, state and federal laws, regulations and Jewett Construction Co., Inc.'s general provisions during the execution of their contract.</p>	
<p>To Architect/Engineer:</p> <p><input checked="" type="checkbox"/> For Approval <input type="checkbox"/> For Record</p> <p>By <u>JH</u> Date <u>5/15/17</u></p>	<p>To Subcontractor/Supplier:</p> <p><input type="checkbox"/> Approved <input type="checkbox"/> Approved as Noted <input type="checkbox"/> Resubmit <input type="checkbox"/> Reviewed <input type="checkbox"/> Rejected <input type="checkbox"/> Revise and Resubmit</p> <p>By _____ Date _____</p>

**Other:**

Colby Company Engineering  
Brian Beaulieu

Architect's Stamp

Engineer's Stamp

# RIVERSIDE MECHANICAL INC.

MECHANICAL CONTRACTORS  
27 REBECCA WAY  
FALMOUTH, ME. 04105  
ROB@RIVERSIDEMECHANICALINC.COM

HVAC  
PLUMBING  
PROCESS PIPING  
TEL. (207) 874-1992  
FAX (207) 874-2283

DATE: 5/12/2017  
PROJECT: Ecomaine Scale House Replacement  
SUBMITTAL DATA: Energy Recovery Ventilator  
Owner: Ecomaine  
Mechanical Engineer: Colby Company Engineering  
General Contractor: Jewett Construction

(PLEASE INITIAL AND DATE ANY NOTATIONS ON THE SUBMITTAL SHEET)

GENERAL CONTRACTOR	ARCHITECT
ENGINEER	RIVERSIDE MECHANICAL INC.  <input checked="" type="checkbox"/> Reviewed <input type="checkbox"/> Make Corrections noted <input type="checkbox"/> Amend & Resubmit <input type="checkbox"/> Rejected / Resubmit  By <u>RW</u> Date <u>5/12/2017</u>

# EV90



## Indoor Unit



## G5 Performance

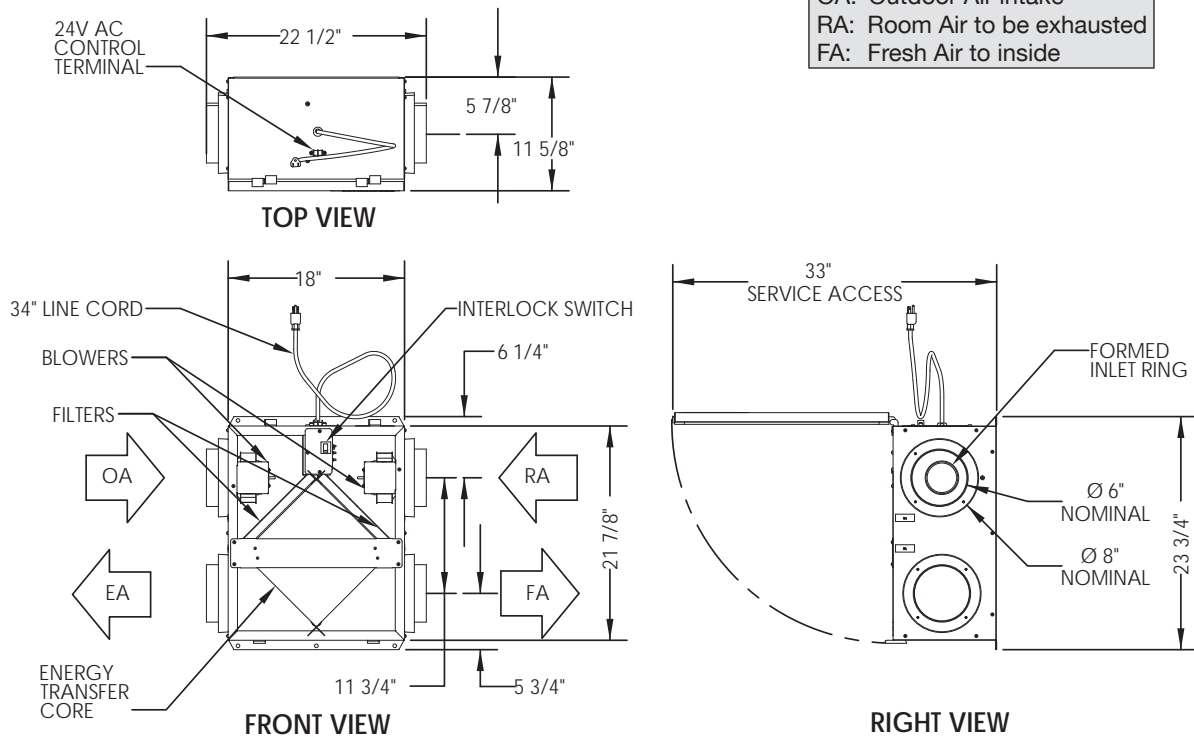
Airflow CFM	ESP in H <sub>2</sub> O	Temp EFF%	Total EFF% Winter/Summer*
40	0.60	84	74/56
58	0.50	80	69/50
73	0.40	77	65/46
85	0.30	74	62/43
98	0.20	71	59/39
113	0.10	68	56/34

\* (See HVI certification report on page 11 for complete certified rating).

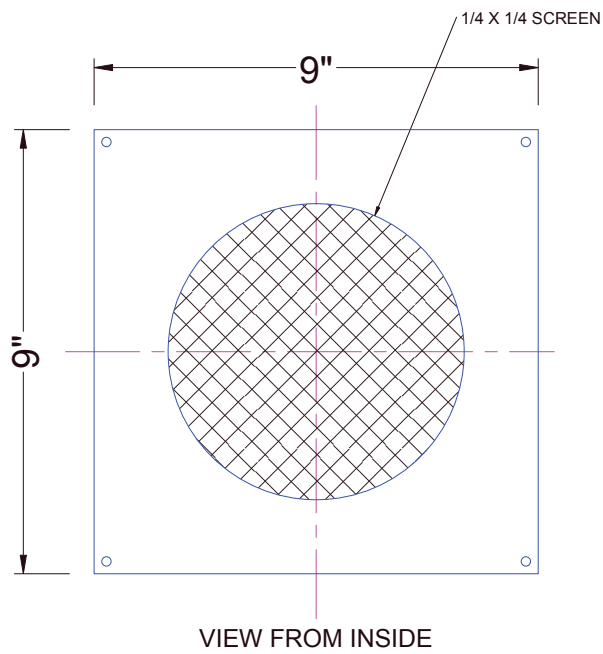
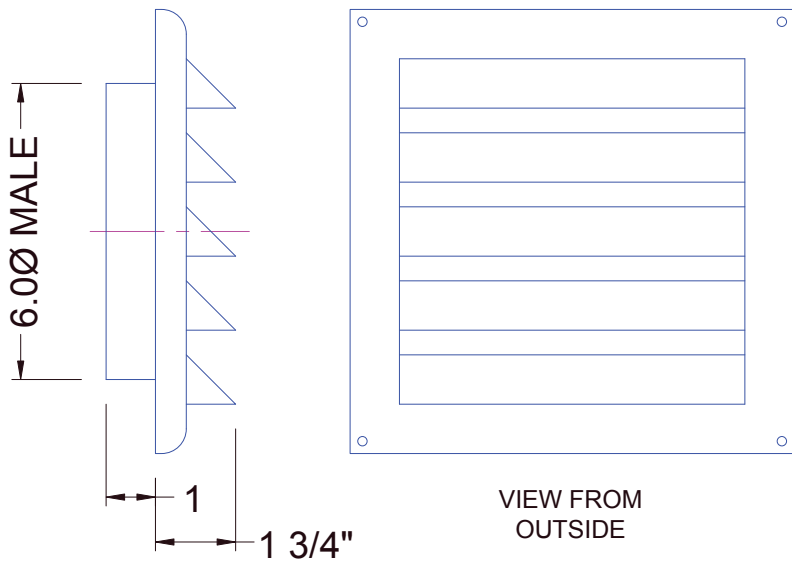
## Specifications

Ventilation Type: Static Plate, Heat and Humidity Transfer				
Typical Airflow Range: 40-110 CFM				
Unit may be mounted in any orientation				
Number Motors: Two motorized impeller blowers				
V	HZ	Phase	Input Watts	FLA
120	60	Single	46 @ 90 CFM	0.35
Control: On board 24 VAC transformer/relay package with switched dry contacts				
Filters: MERV 8, spun polyester media. 7-1/2" x 10-1/2" x 1"				
Weight: 36 lbs (unit), 41 lbs (in carton)				
Shipping Dimensions: 28-1/2" L x 21-1/2" W x 14-3/4" H (in carton)				
Controls: PTL – Percentage Timer Control FM – Percentage Timer Control with Furnace Interlock PBL – Push Button Point-of-Use Controls				
Accessories: Wall Caps Back Draft Dampers				

## Dimensions

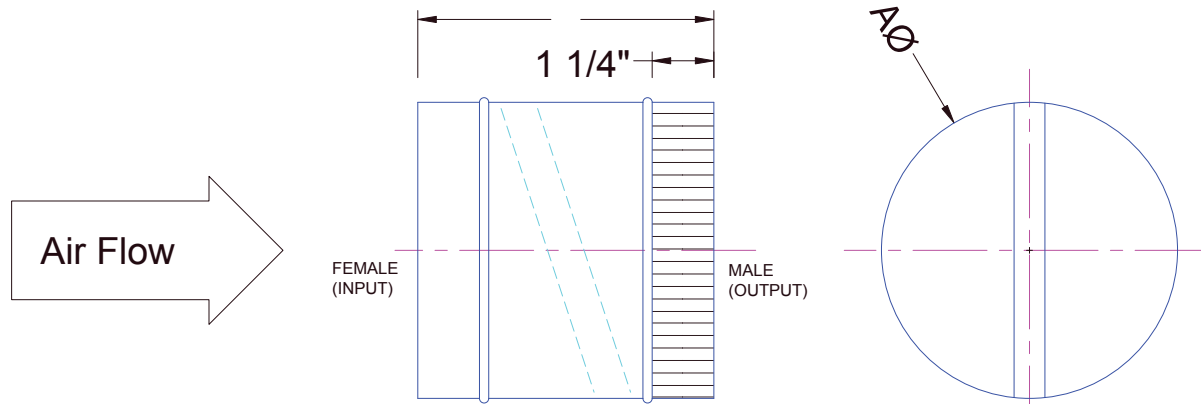


Model	Color
VW106	White
VB106	Brown



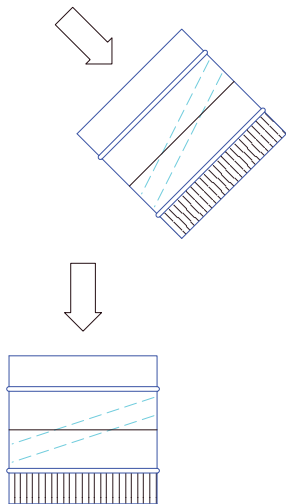
Specifications subject to change without notice

TABLE OF DIMENSIONS				
Model	BD6	BD8	BD10	BD12
ØA	6" Dia.	8" Dia.	10" Dia.	12" Dia.
B	6"	7"	8"	9"

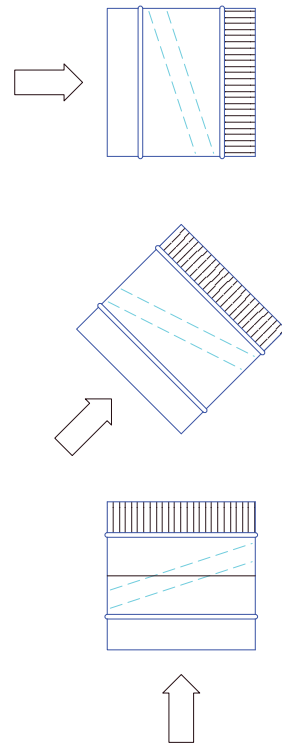


NOTE: OUTPUT MUST NOT BE LOWER THAN INPUT.

**Unsuitable Orientations  
(OUTPUT MUST NOT BE LOWER THAN INPUT)**



**Allowable Orientations**



Specifications subject to change without notice