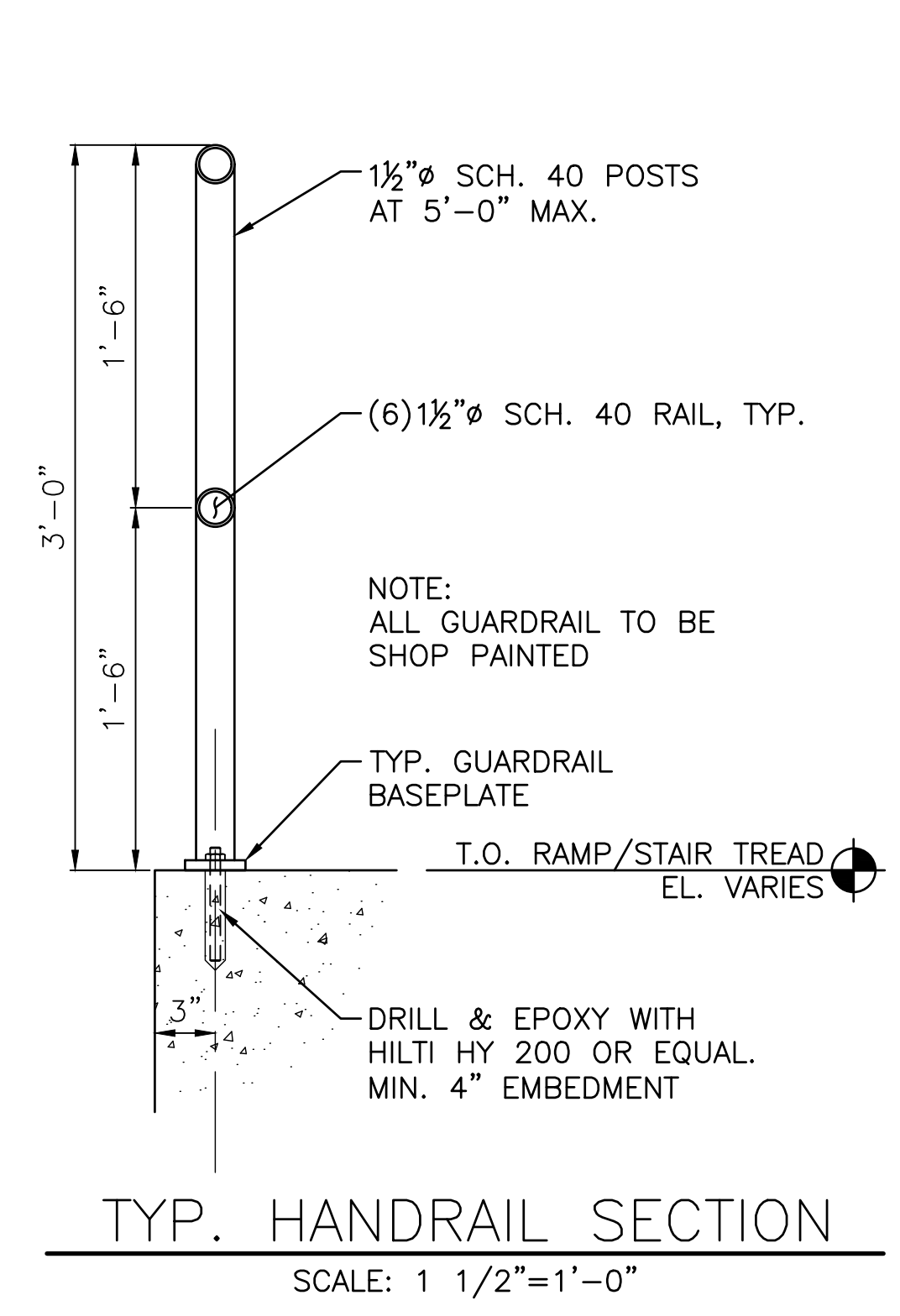
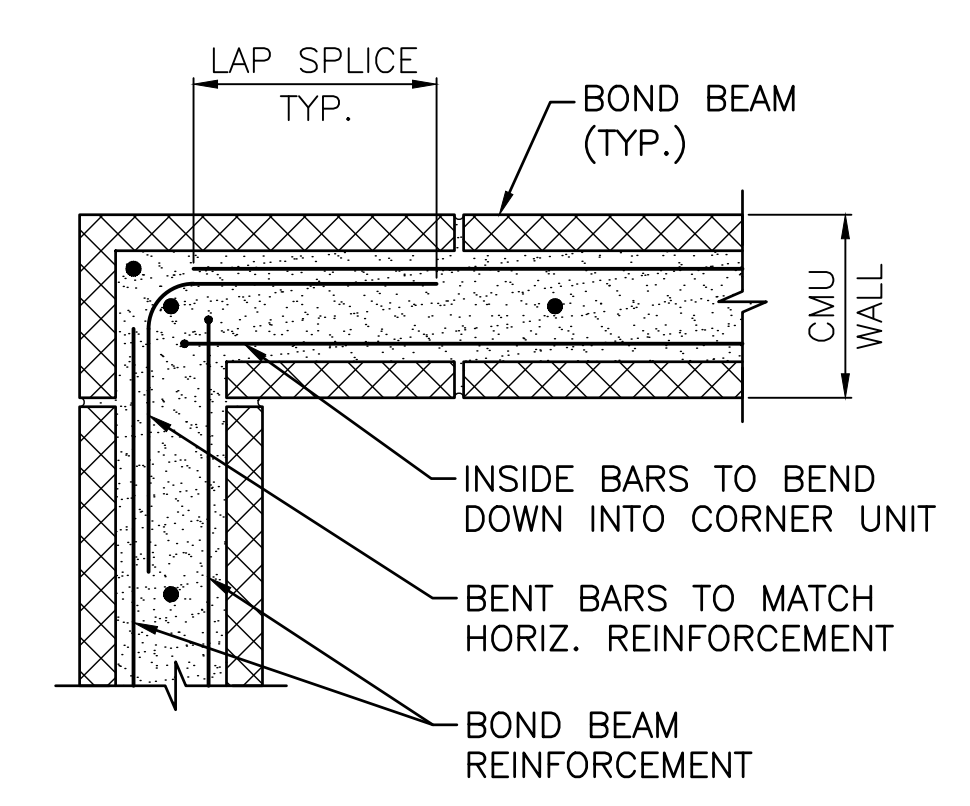


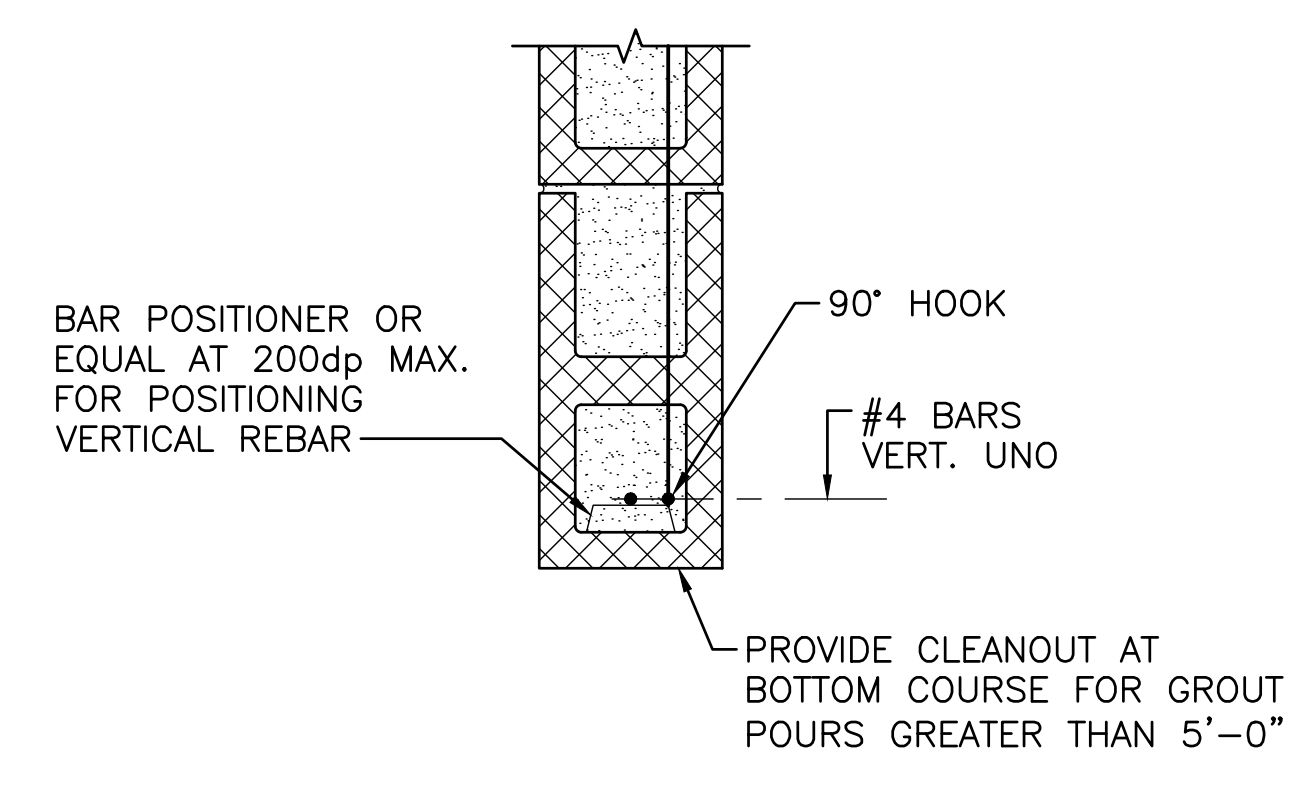
TYP. GUARDRAIL SECTION
SCALE: 1 1/2"=1'-0"



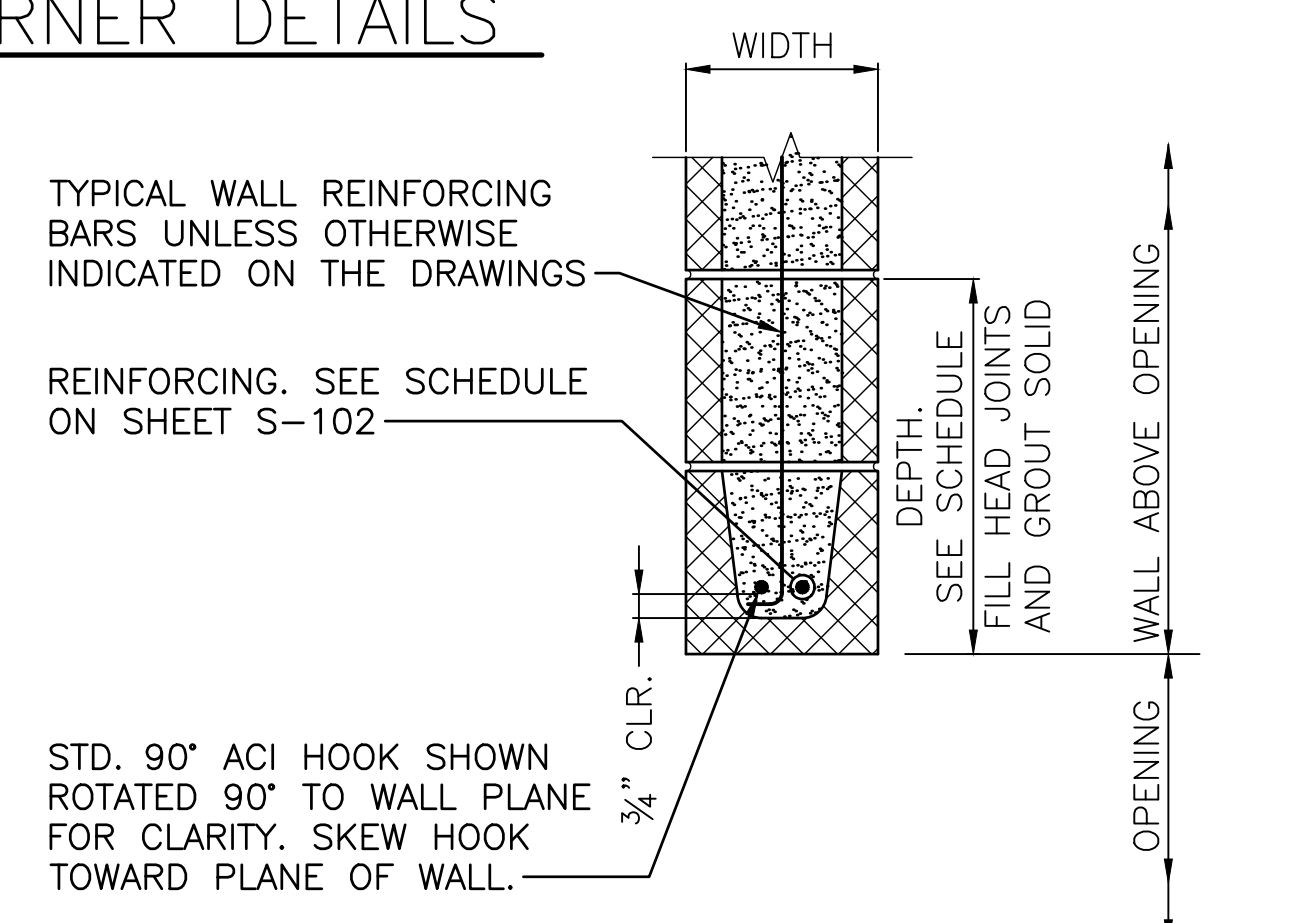
TYP. HANDRAIL SECTION
SCALE: 1 1/2"=1'-0"



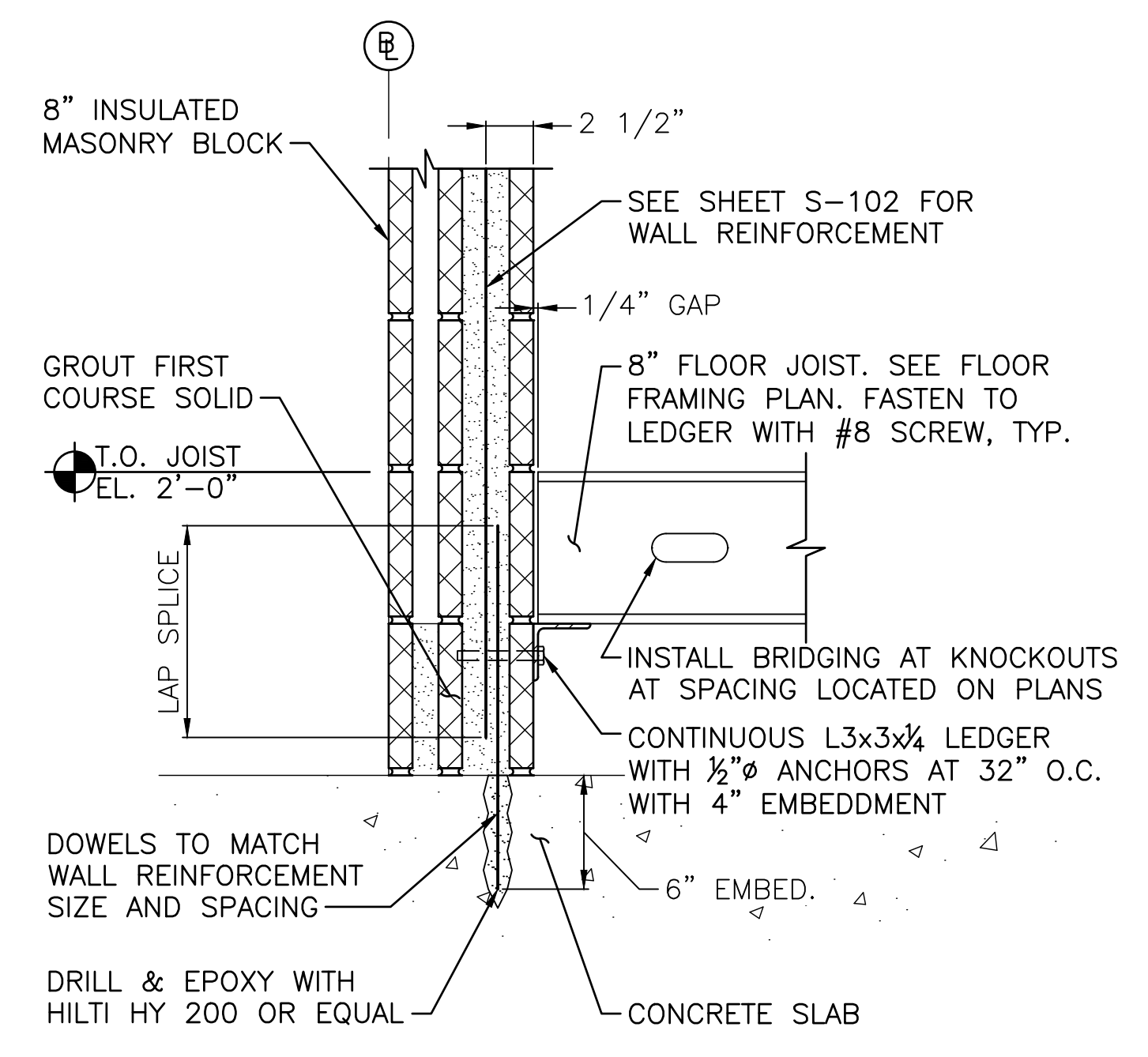
TYPICAL BOND BEAM CORNER DETAILS
SCALE: N.T.S.



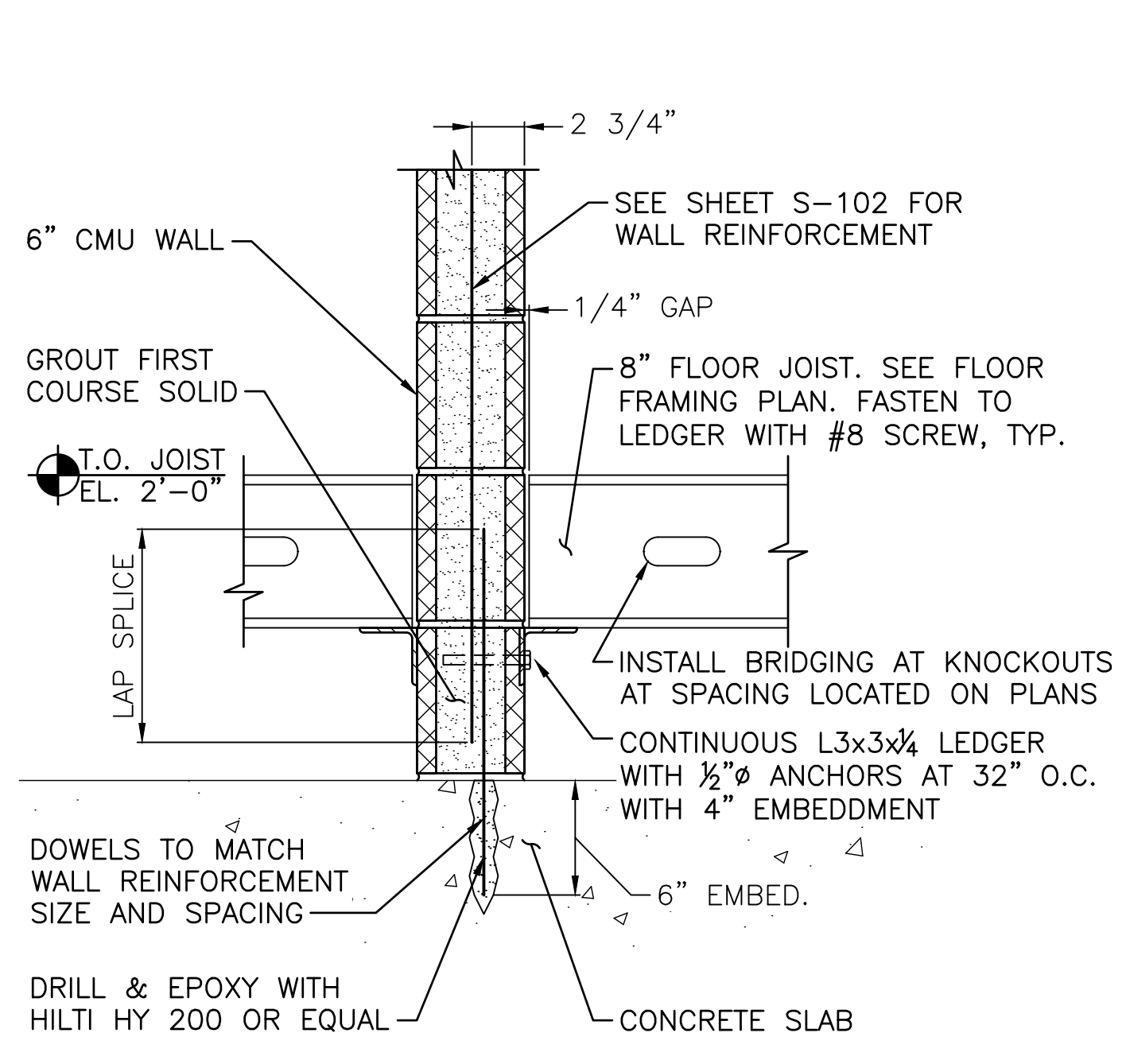
JAMB OR WALL END PLAN
SCALE: N.T.S.



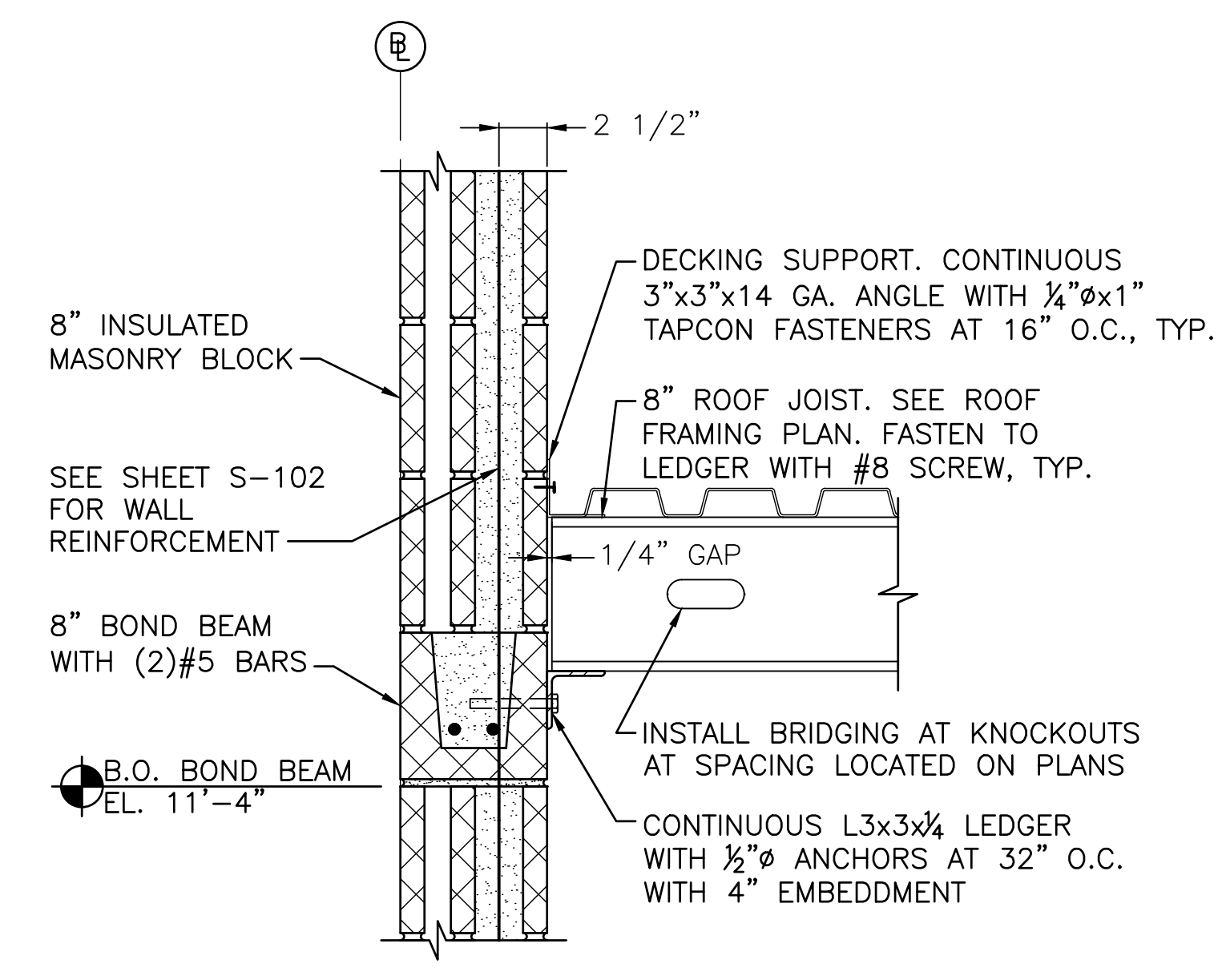
TYPICAL CMU WALL REINFORCING
SCALE: N.T.S.



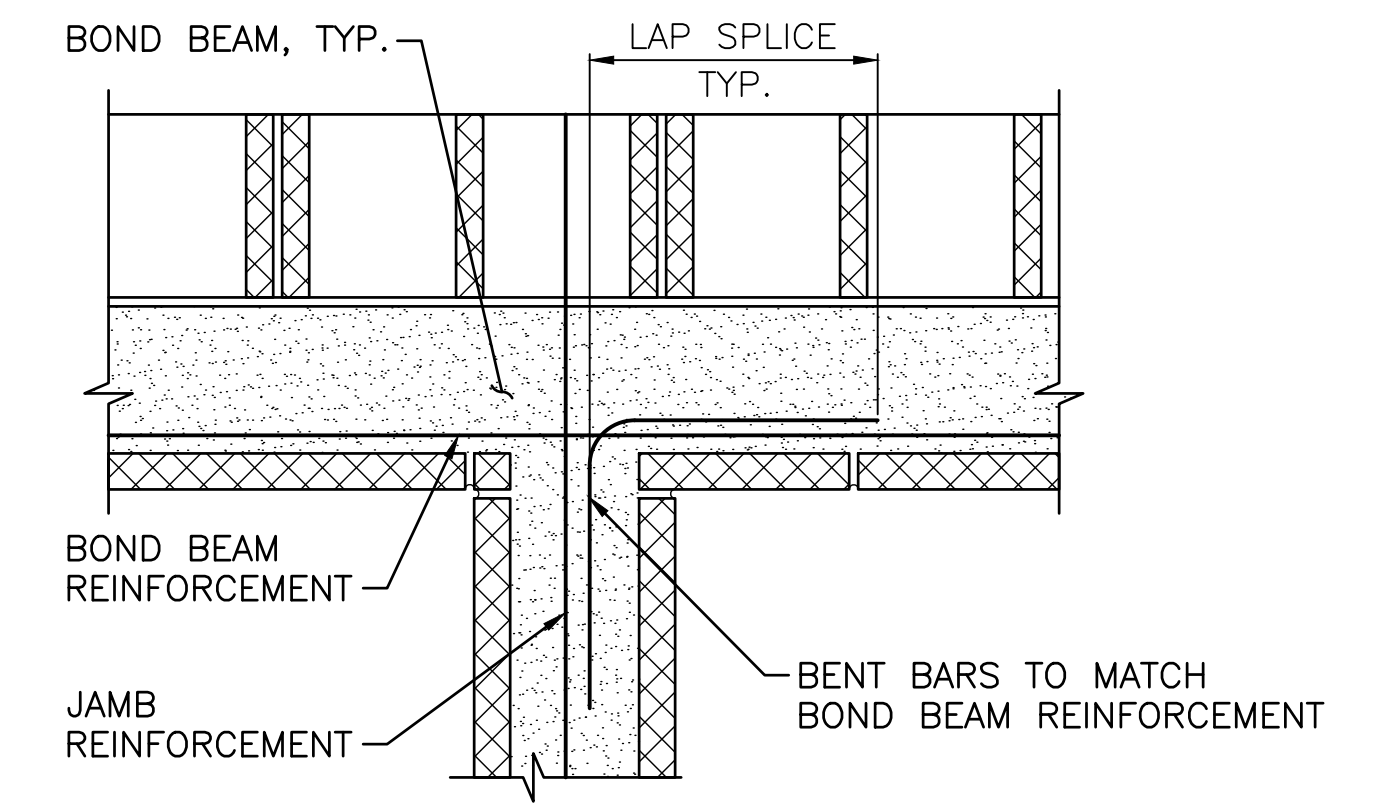
1 TYP. WALL/FLOOR CONNECTION
SCALE: 1 1/2" = 1'-0" S-103



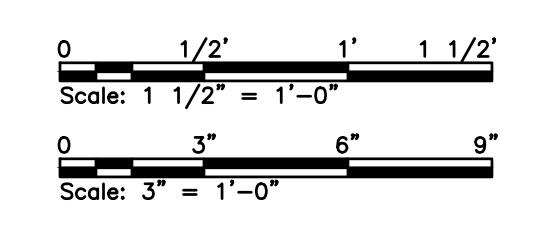
2 TYP. WALL/FLOOR CONNECTION
SCALE: 1 1/2" = 1'-0" S-103



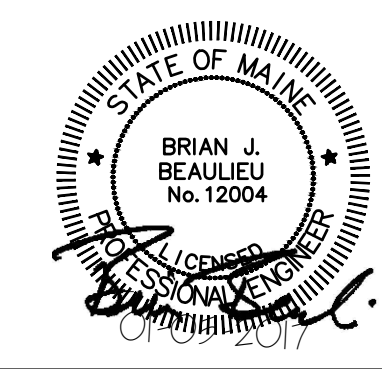
3 TYP. ROOF JOIST CONNECTION
SCALE: 1 1/2" = 1'-0" S-103



4 JAMB REINFORCING DETAIL
SCALE: 1 1/2" = 1'-0" S-201



ISSUED FOR BID
NOT FOR CONSTRUCTION
JANUARY 5, 2017



ecomaine 64 BLUEBERRY ROAD, PORTLAND, ME			
SCALE HOUSE WITH INSULATED BLOCK CONSTRUCTION			
STRUCTURAL DETAILS			
SIZE: ANSI D	PROJECT NO: 162.002.002	DRAWING NO: S-502	
DATE: 09/02/2016	SHEET: 25 OF 40		
DES BY: AKG			
DWN BY: AKG			
CKD BY: BJB			

PLEASE NOTE: THIS DOCUMENT MAY NOT ACCURATELY REPRESENT THE FINAL DOCUMENT. ONLY AN ENGINEER, ARCHITECT OR SURVEYOR SIGNED, SEALED AND DATED PAPER COPY, PROVIDED BY THIS OFFICE, MAY BE UTILIZED FOR BIDDING OR CONSTRUCTION PURPOSES.

Colby Company
engineering
47A York Street
Portland, Maine 04101
207.533.7753
colbycoengineering.com

X:\162 Ecomaine\162.002.002 - Scale House with CMU Drawings\Sheets\S-502.dwg - 1/5/2017 2:30 PM - ZACH JONES