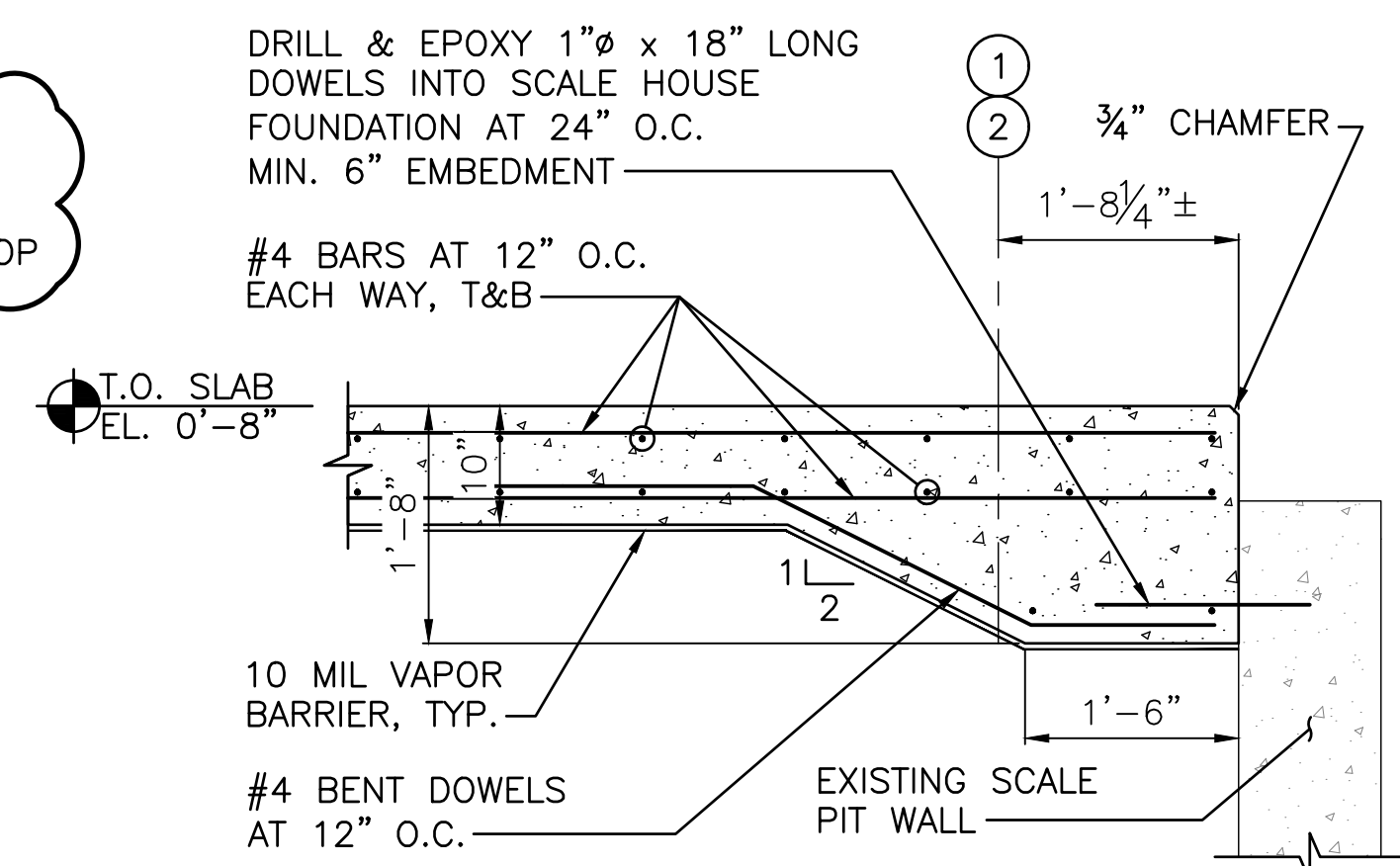
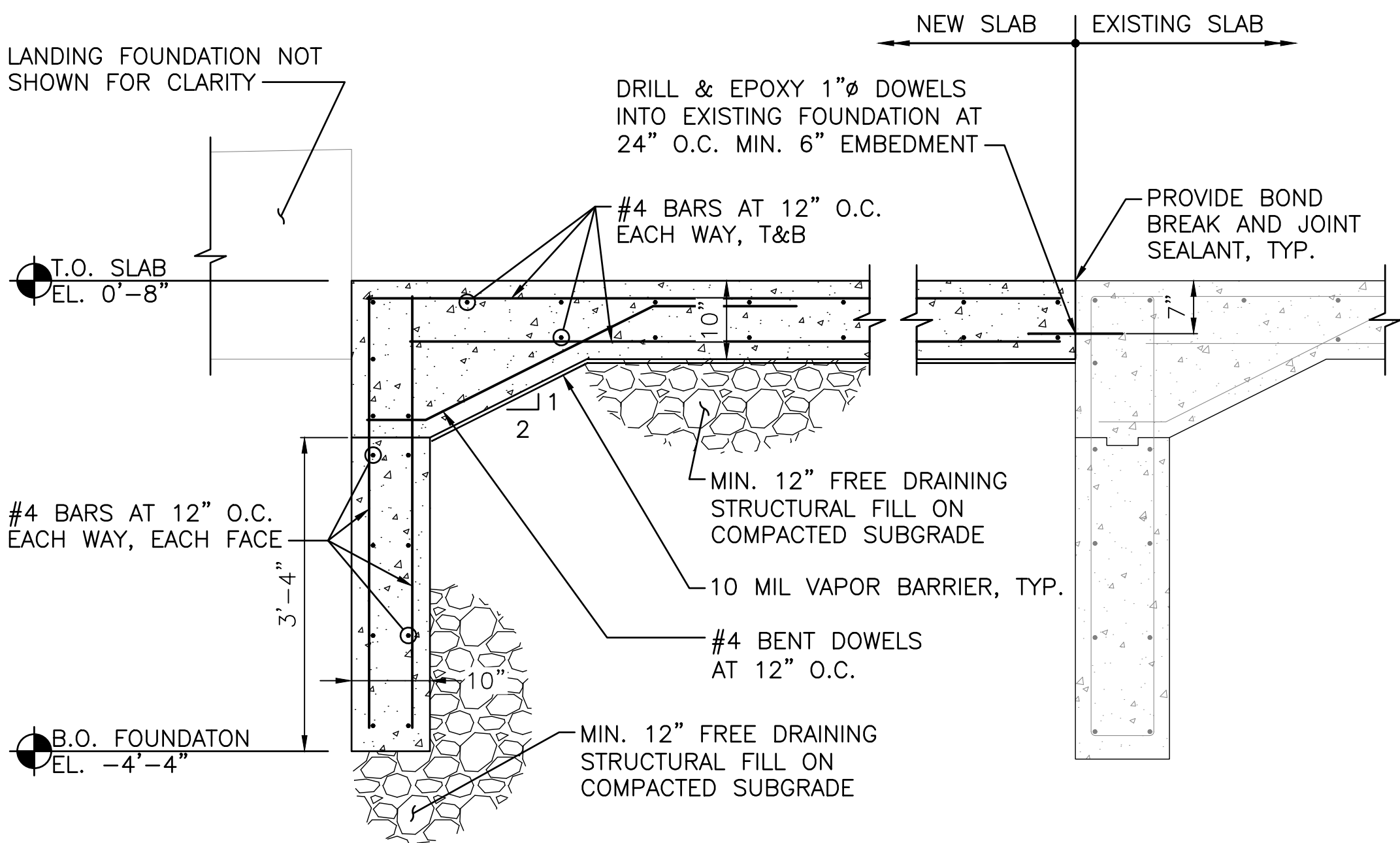


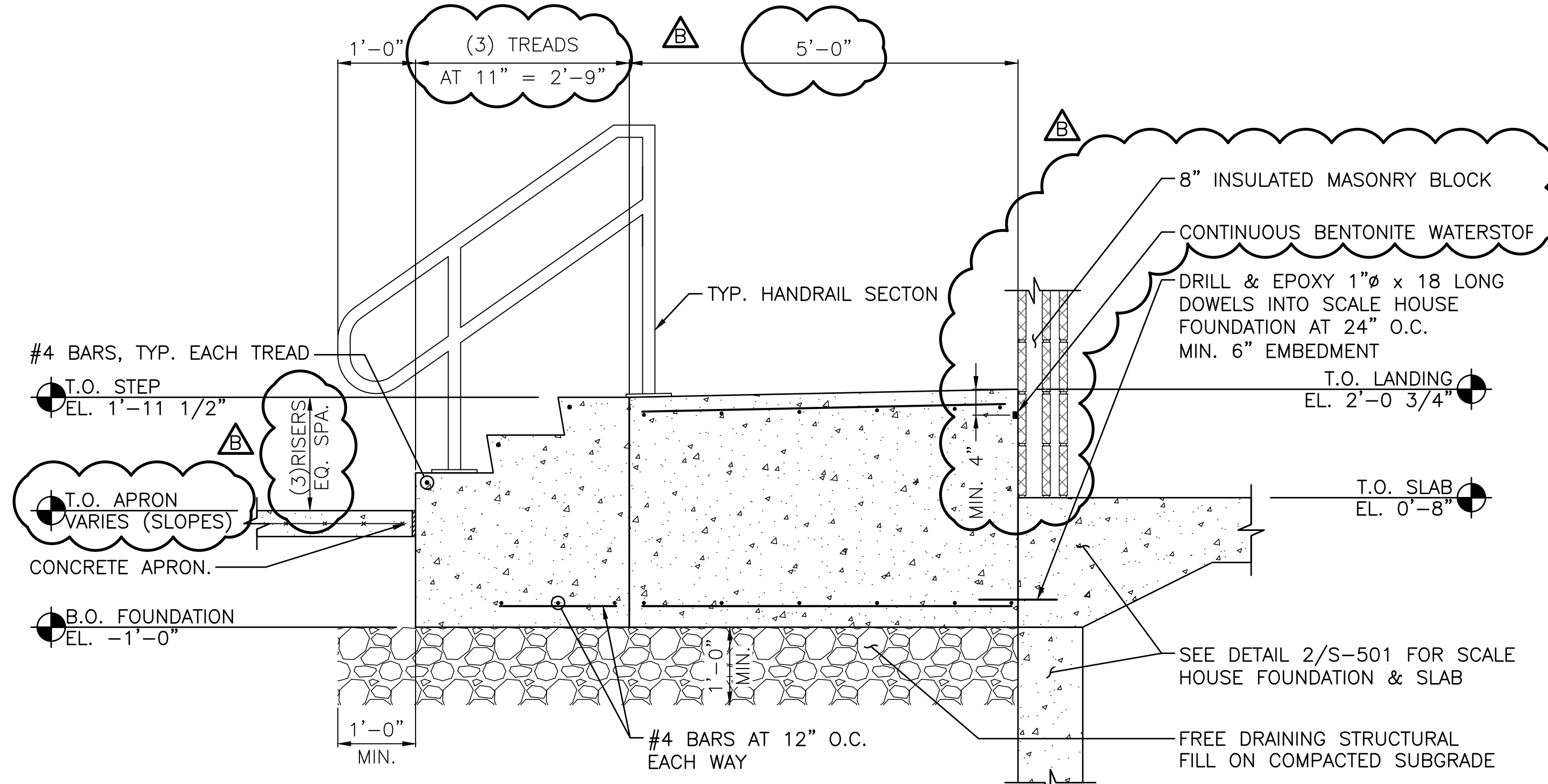
1 FOUNDATION SECTION AT RAMP
S-501 SCALE: 3/4" = 1'-0" S-101



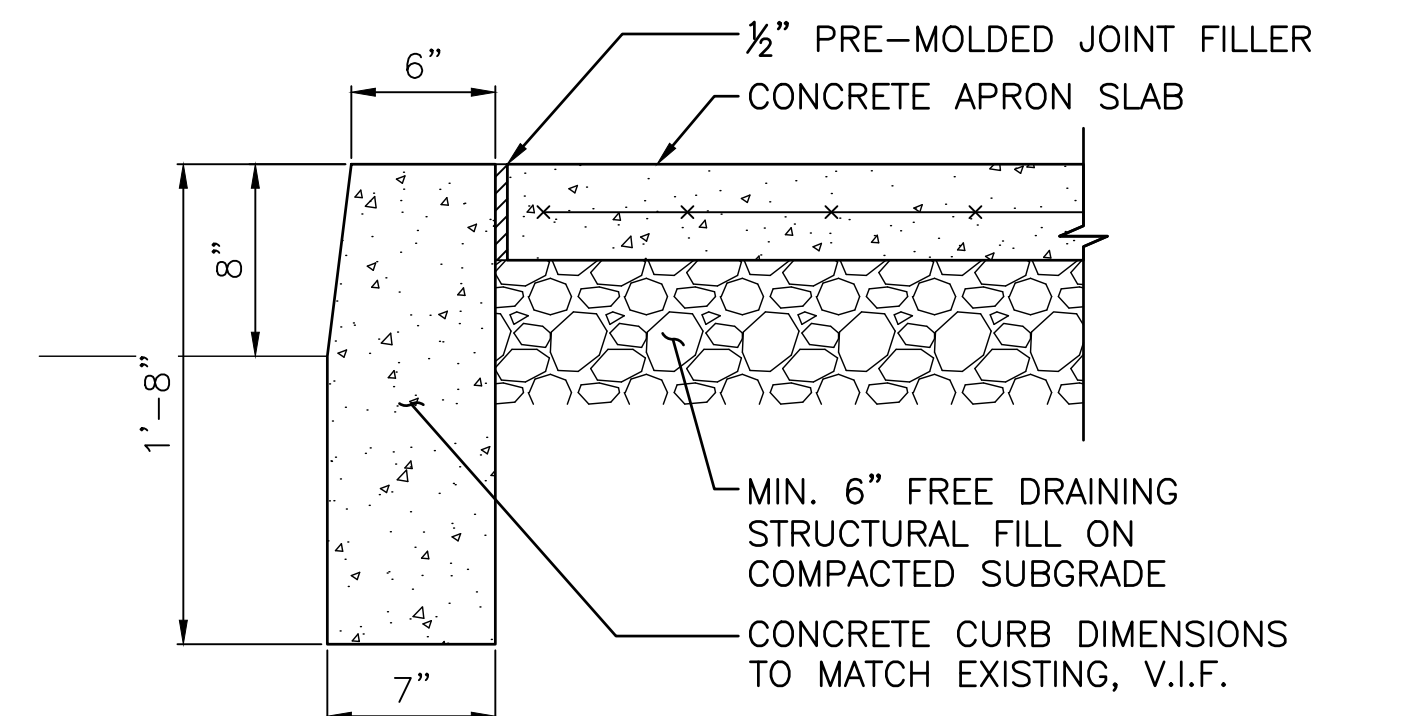
4 SCALE HOUSE SLAB SECTION
S-501 SCALE: 3/4" = 1'-0" S-101



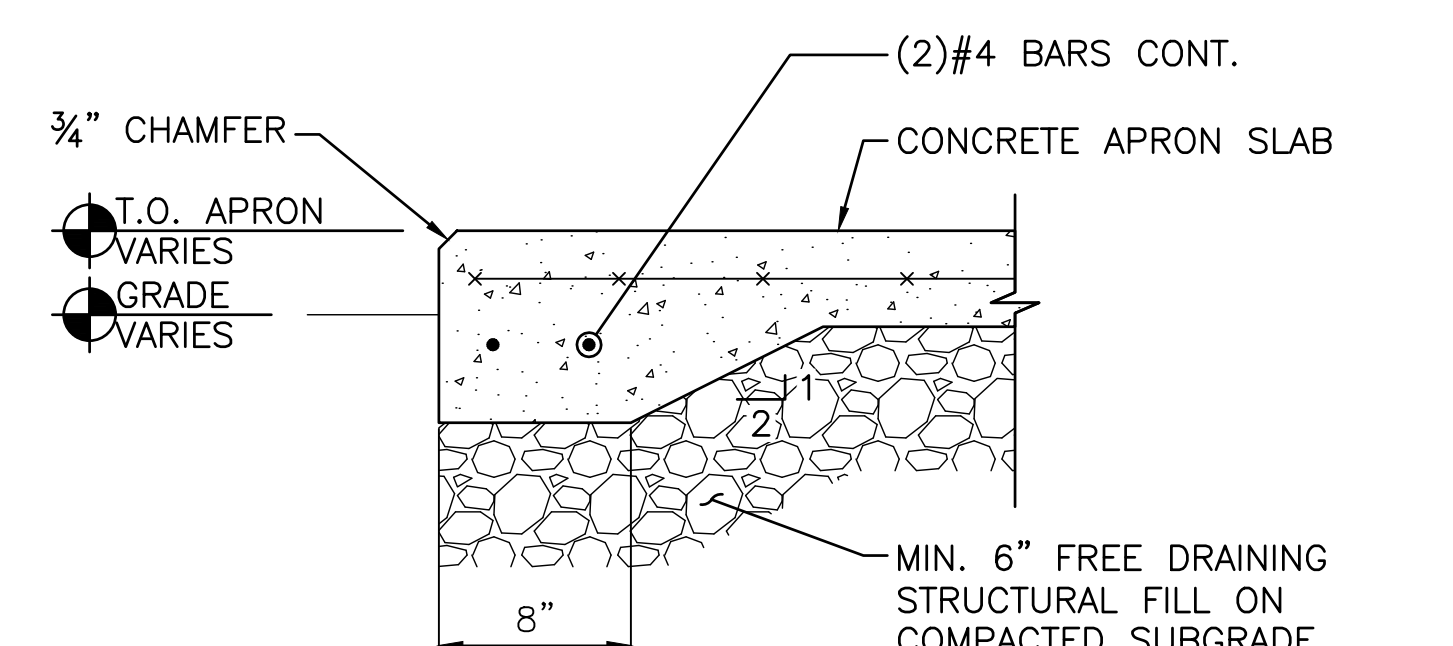
2 SCALE HOUSE FOUNDATION SECTION
S-501 SCALE: 3/4" = 1'-0" S-101



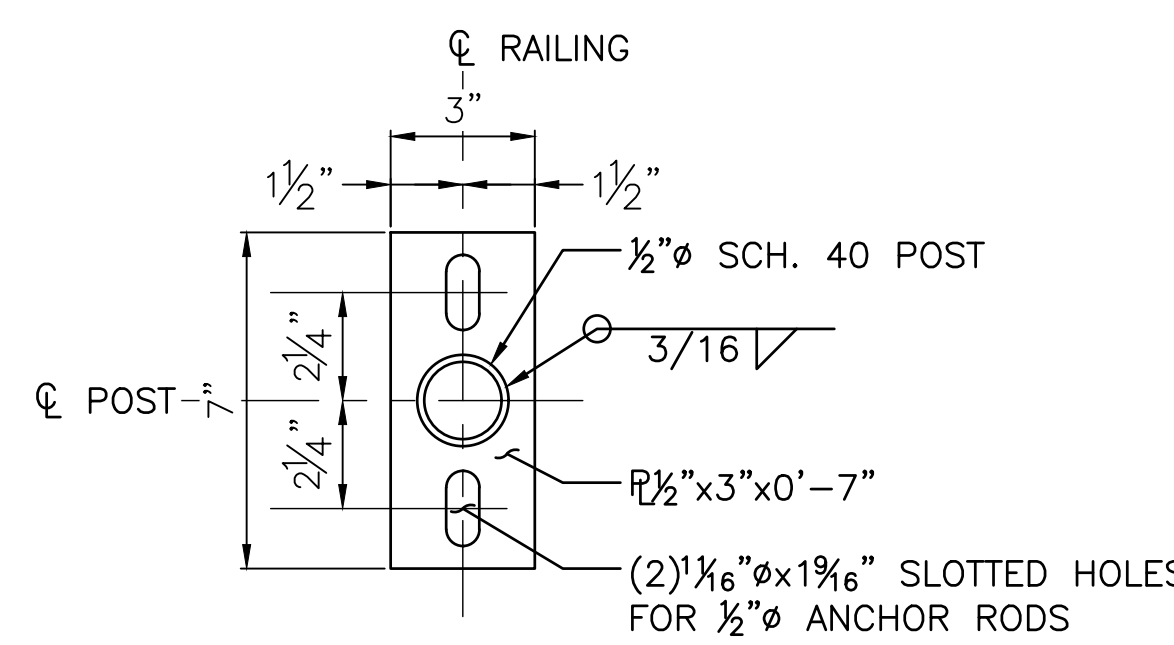
3 FOUNDATION SECTION AT STAIRS
S-501 SCALE: 3/4" = 1'-0" S-101



5 CONCRETE APRON SECTION
S-501 SCALE: 1 1/2" = 1'-0" S-101

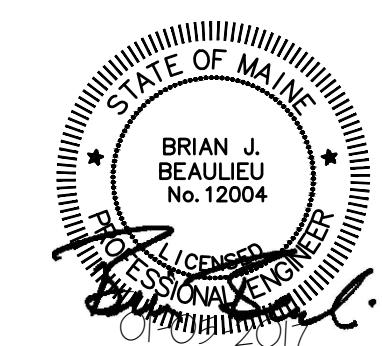
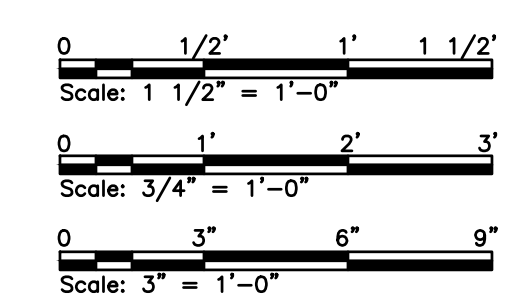


6 CONCRETE APRON HAUNCH
S-501 SCALE: 1 1/2" = 1'-0" S-101



TYP. GUARDRAIL BASEPLATE
SCALE: 3" = 1'-0"

ISSUED FOR BID
NOT FOR CONSTRUCTION
JANUARY 5, 2017

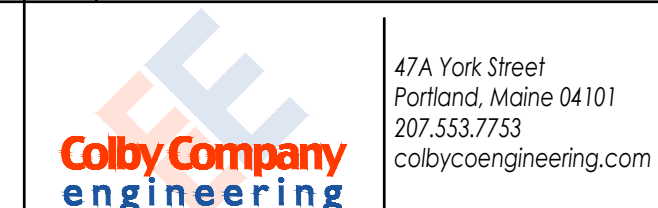


REV	DESCRIPTION	DWN	APP	DATE
C	RE-ISSUED FOR BID	AKG	BJB	01/05/17
B	REVISED LANDING DETAILS	AKG	BJB	10/28/16
A	ISSUED FOR BID	AKG	BJB	08/19/16

ecomaine 64 BLUEBERRY ROAD, PORTLAND, ME	
SCALE HOUSE WITH INSULATED BLOCK CONSTRUCTION	
STRUCTURAL DETAILS	

PLEASE NOTE: THIS DOCUMENT MAY NOT ACCURATELY REPRESENT THE FINAL DOCUMENT. ONLY AN ENGINEER, ARCHITECT OR SURVEYOR SIGNED, SEALED AND DATED PAPER COPY, PROVIDED BY THIS OFFICE, MAY BE UTILIZED FOR BIDDING OR CONSTRUCTION PURPOSES.

SIZE: ANSI D	PROJECT NO: 162.002.002
DATE: 09/02/2016	DRAWING NO: S-501
DES BY: AKG	SHEET: 24 OF 40
DWN BY: AKG	
CKD BY: BJB	



X:\162 Ecomaine\162.002.002 - Scale House with CMU\Drawings\Sheets\S-501.dwg - 1/5/2017 2:29 PM - ZACH JONES