

COMBINATION ROOF DRAIN DETAIL
SCALE: NTS

- NOTES:
1. NOT ALL FITTINGS ARE SHOWN. INSTALL ROOF DRAINS PER THE MAINE PLUMBING CODE.
 2. INSTALL ROOF DRAINS PER MANUFACTURER'S INSTRUCTIONS.

HORIZONTAL STORM WATER DRAIN. COORDINATE WITH STRUCTURAL.

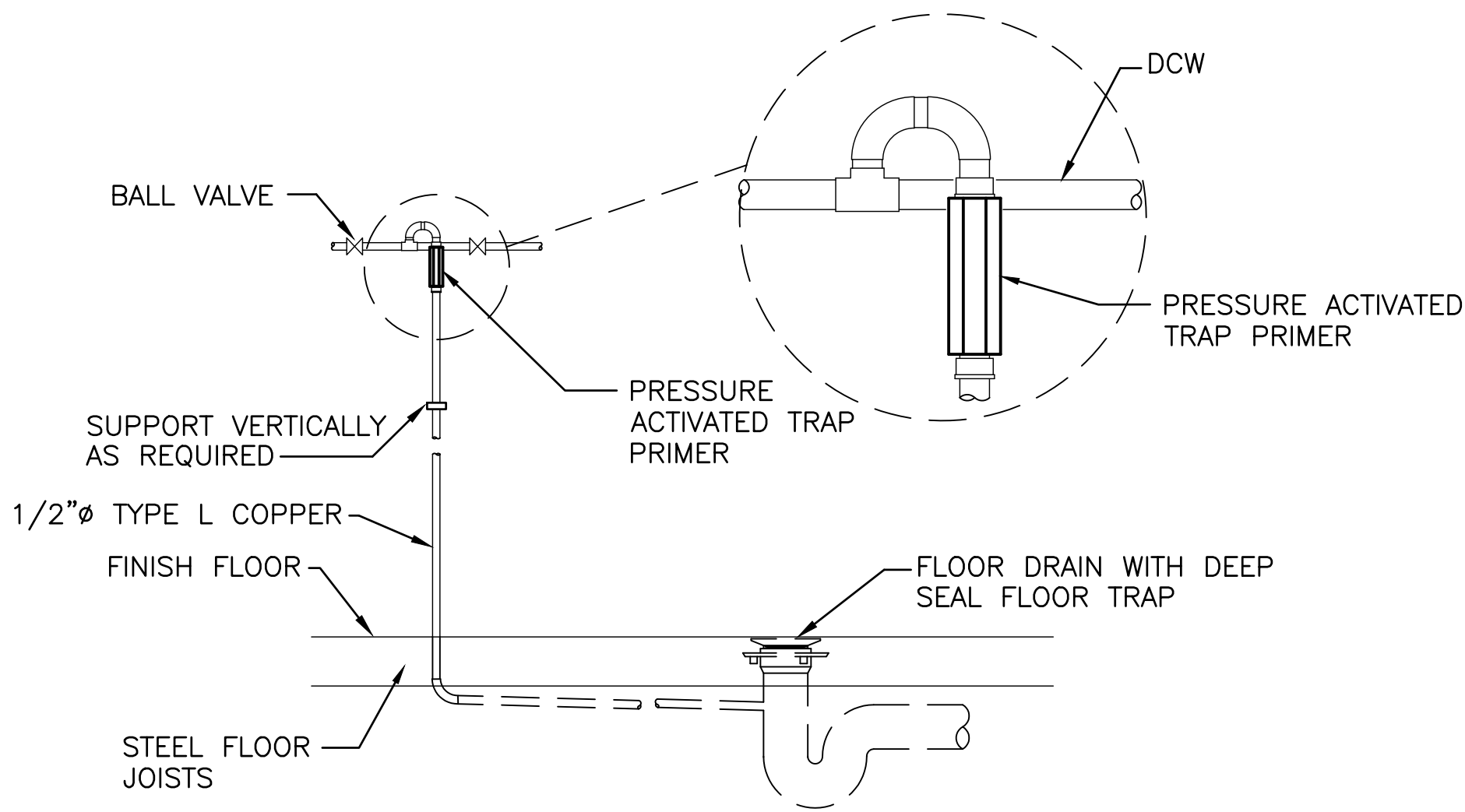
PLUMBING FIXTURE SCHEDULE										
TAG	FIXTURE	CW	HW	TW	WASTE	VENT	STORM	MANUFACTURER AND MODEL (1)	DESCRIPTION	NOTES
P1	WATER CLOSET	1"	-	-	3"	3"	-	ZURN Z5645-BWL FLOOR MOUNTED WATER CLOSET, TOP SPUD, AND ZURN Z5955SS-EL TOILET SEAT	W/ SLAON UPPERCUT WES-111 DUAL-FLUSH FLUSHMETER (1.1 AND 1.6 GPF).	1
P2	RESTROOM LAVATORY	1/2"	1/2"	-	1 1/2"	1 1/2"	-	ZURN Z5364 HIGH BACK WALL MOUNTED LAVATORY, Z1 BRACKET, 20"x18" VITREOUS CHINA	W/ ZURN Z7442-XL-FC MANUAL LEVER FAUCET, VANDAL RESISTANT AERATOR, 0.5 GPM.	1
P3	KITCHEN SINK	1/2"	1/2"	-	2"	1 1/2"	-	ELKAY LRAD197865PD WITH STRAINER DRAIN LKDS99, MR2 HOLE DRILLING CONFIGURATION	W/ ELKAY FAUCET MODEL LK1501CR, 1.5 GPM.	1
P4	ROUND FLOOR DRAIN	-	-	-	2"	2"	-	ZURN Z415C WITH TYPE C 5" DIAMETER STRAINER, VANDAL PROOF. PROVIDE WATTS TRAP PRIMER MODEL LFTP300.	PROVIDE WITH 1/2" TRAP PRIMER CONNECTION.	-
P5	ROUND FLOOR DRAIN	-	-	-	2"	2"	-	ZURN Z415E WITH TYPE E STRAINER. PROVIDE WATTS TRAP PRIMER MODEL LFTP300.	PROVIDE WITH 1/2" TRAP PRIMER CONNECTION, 4" DIAMETER FUNNEL.	-
P6	ROOF PRIMARY/SEC DRAIN	-	-	-	-	-	2"	JAY R. SMITH COMBINATION ROOF AND OVERFLOW DRAIN, MODEL 148-Y02	PRIMARY AND SECONDARY STORM DRAIN COMBINATION. PROVIDE 148-10 6" HIGH CAST IRON DOME FOR OVERFLOW DRAIN.	-
P7	CONCEALED HOSE BIB	3/4"	-	-	-	-	-	JAY R SMITH 5609QT	NON-FREEZE HOSE BIB W/ VAC BREAKER, 1/4 TURN WHEEL HANDLE, DUAL CHECK VALVE	-
P8	DOWNSPOUT NOZZLE	-	-	-	-	-	3"	JAY R SMITH DOWNSPOUT NOZZLE, 1771, SLIDES OVER 3" CAST IRON PIPE.	BIRDSCREEN	-

NOTES:
1. INSTALL TO MEET ADA REQUIREMENTS.

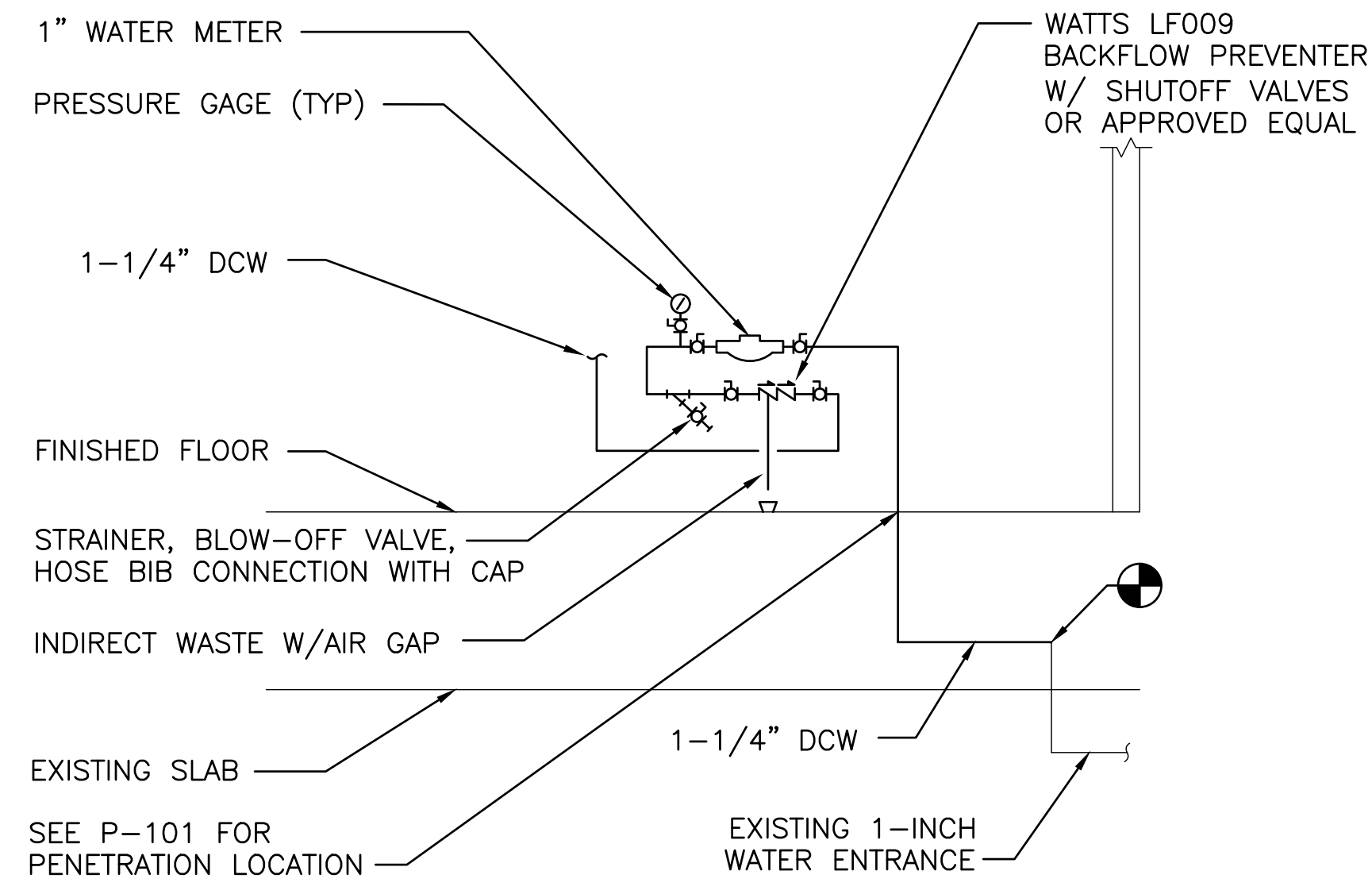
ELECTRIC STORAGE WATER HEATER SCHEDULE									
UNIT NO	LOCATION	FUEL TYPE	TOTAL STORAGE (GAL)	INPUT (W)	RECOVERY @ 100F (GPH)	STORAGE TEMP (°F)	V/PH/HZ	MANUFACTURER AND MODEL (1)	NOTES
DWH-1	KITCHEN	ELECTRIC	6	1650	8	110	120/1/60	AO SMITH EJC-6	1-5

NOTES:
1. PROVIDE HIGH DENSITY POLYURETHANE FOAM INSULATION ON TANK.
2. GLASS-LINED STEEL TANK.
3. UNIT SHALL BE EQUIPPED WITH A 4 FT POWER CORD AND TEMPERATURE/PRESSURE RELIEF VALVE.
4. INSTALL DIELECTRIC WATER CONNECTIONS.
5. PROVIDE DRAIN PAN WITH 2-INCH LIP AND 3/4-INCH OPEN DRAIN.

KEYED NOTE:
(1) MANUFACTURER'S NAME AND MODEL NUMBER ARE USED FOR DESCRIPTIVE PURPOSES ONLY AND ARE INTENDED TO INDICATE THE STANDARD OF MATERIAL OR ARTICLES REQUIRED. DESIGN IS PREDICATED AROUND LISTED MANUFACTURERS AS NOTED ON SCHEDULES AND IS NOT INTENDED TO LIMIT THE CONTRACTOR TO ONE MANUFACTURER UNLESS OTHERWISE NOTED.

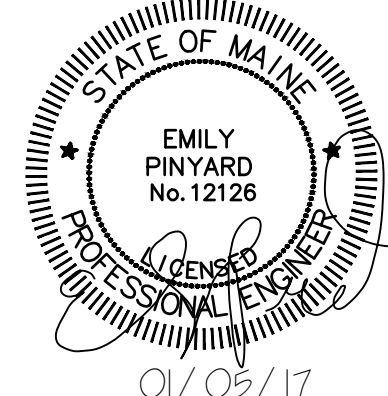


TRAP PRIMER DETAIL
SCALE: NTS



- NOTES:
1. COORDINATE METER INSTALLATION WITH UTILITY COMPANY AND ECOMAINE.

DOMESTIC WATER SUPPLY ENTRANCE
SCALE: NTS



ISSUED FOR BID
NOT FOR CONSTRUCTION
JANUARY 5, 2017

PLEASE NOTE: THIS DOCUMENT MAY NOT ACCURATELY REPRESENT THE FINAL DOCUMENT. ONLY AN ENGINEER, ARCHITECT OR SURVEYOR SIGNED, SEALED AND DATED PAPER COPY, PROVIDED BY THIS OFFICE, MAY BE UTILIZED FOR BIDDING OR CONSTRUCTION PURPOSES.

ecomaine 64 BLUEBERRY ROAD, PORTLAND, ME			
SCALE HOUSE WITH INSULATED BLOCK CONSTRUCTION			
PLUMBING DETAILS AND SCHEDULES			
SIZE: ANSI D	PROJECT NO: 162.002.002	DRAWING NO: P-501	
DATE: 09/02/2016	SHEET: 35 OF 40		
DES BY: MIF			
DWN BY: MBD			
CKD BY: ERP			