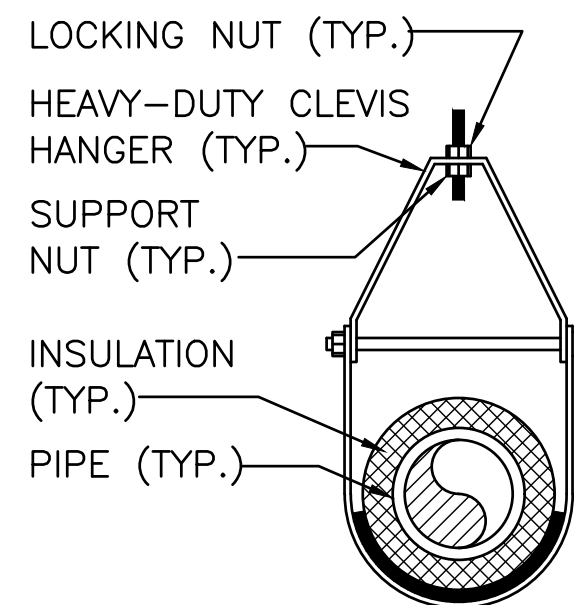


FOR DUCT SIZES UP TO AND INCLUDING 10"Ø

ROUND DUCT HANGER DETAIL

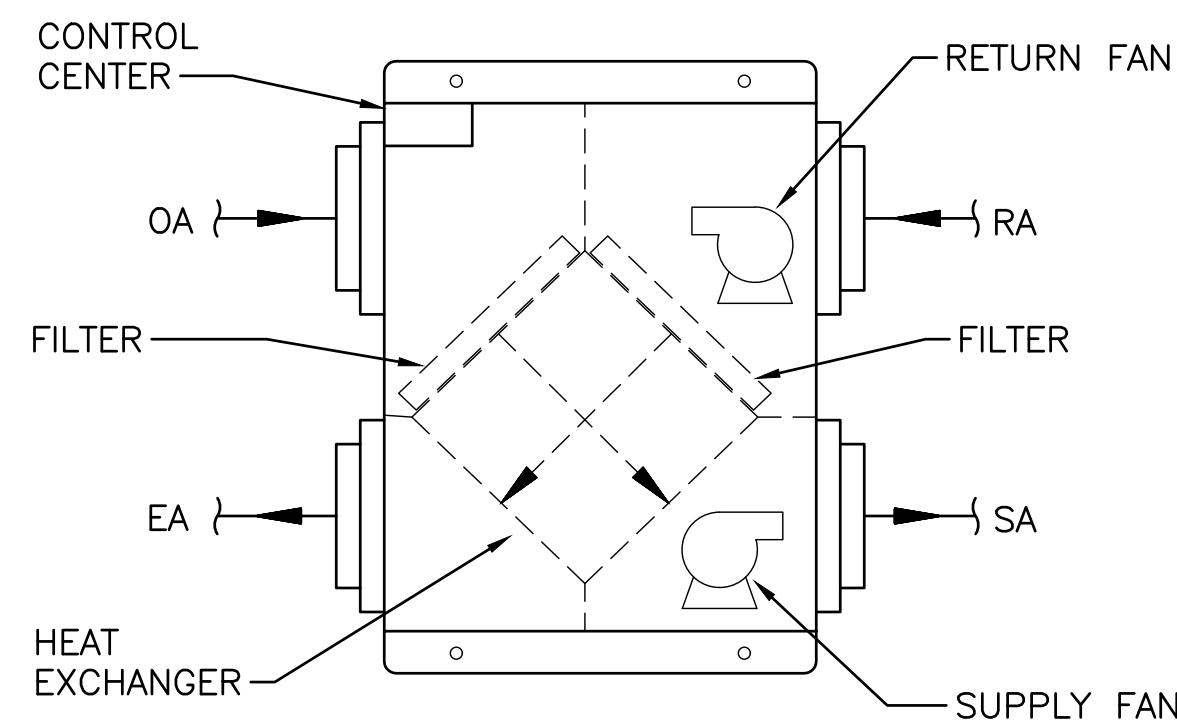
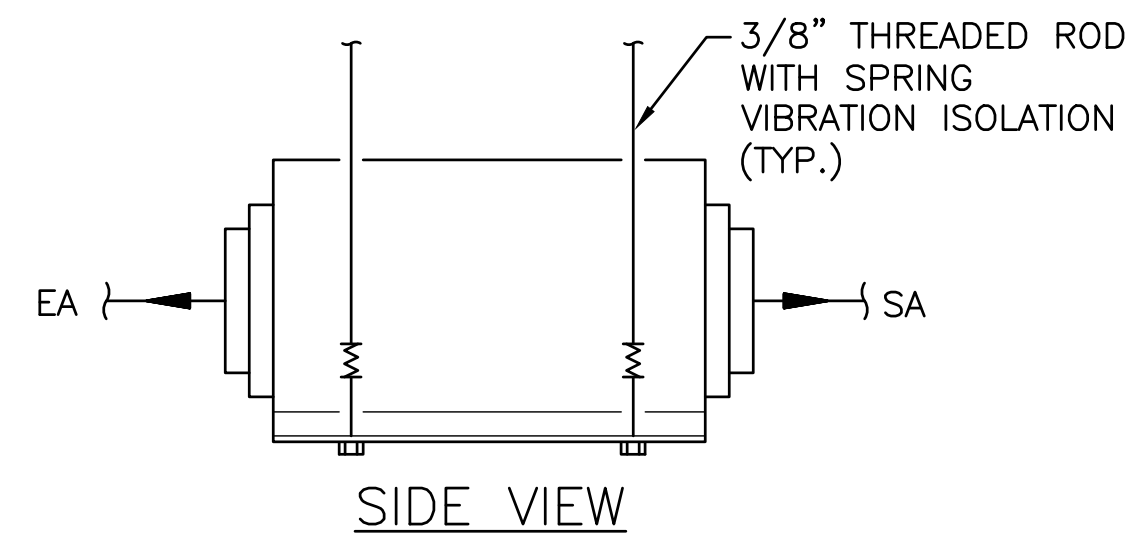
SCALE: NTS



CLEVIS HANGER (FOR PIPES 2-1/2" & SMALLER)

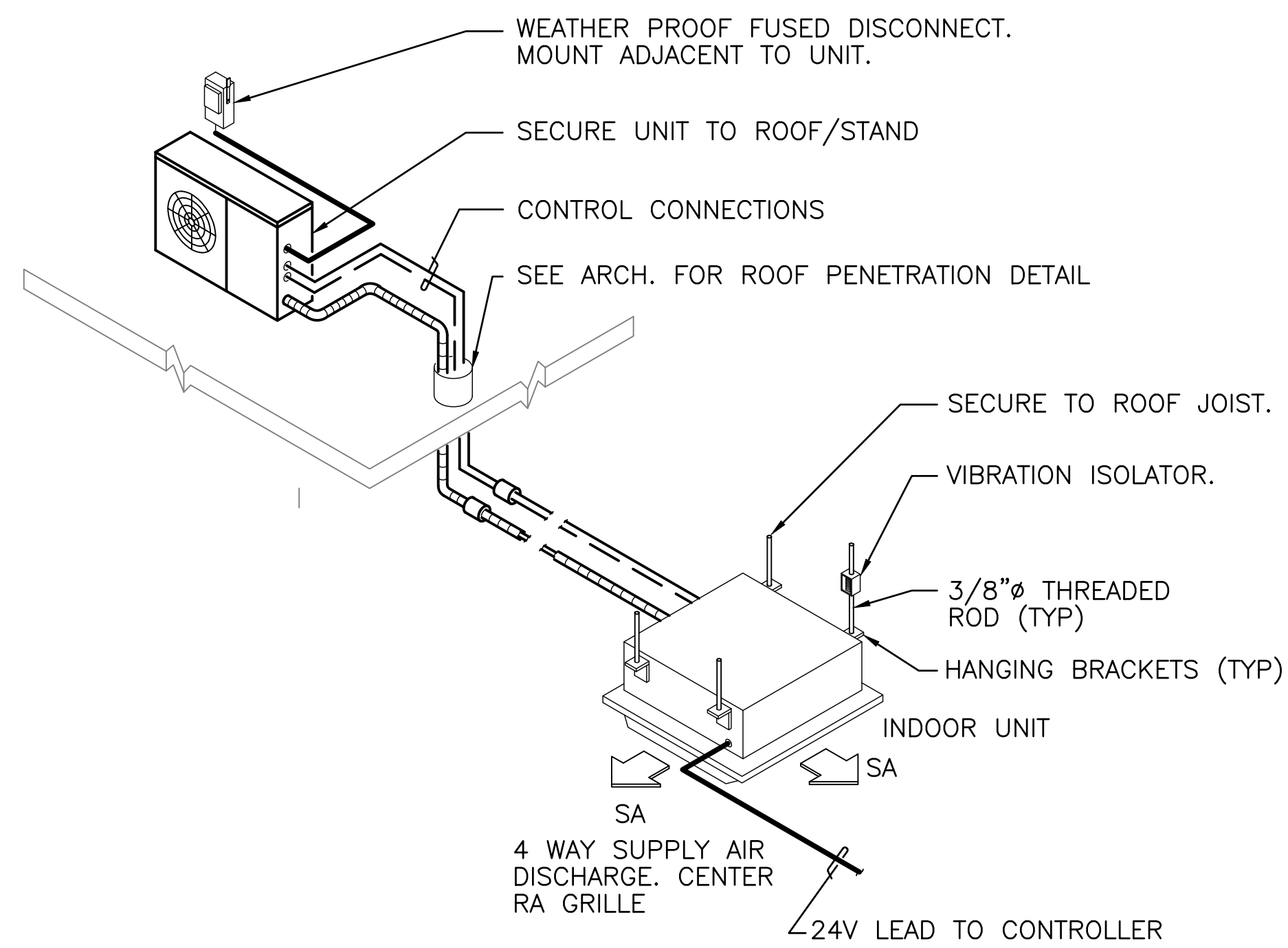
PIPE HANGER ATTACHMENTS DETAIL

SCALE: NTS



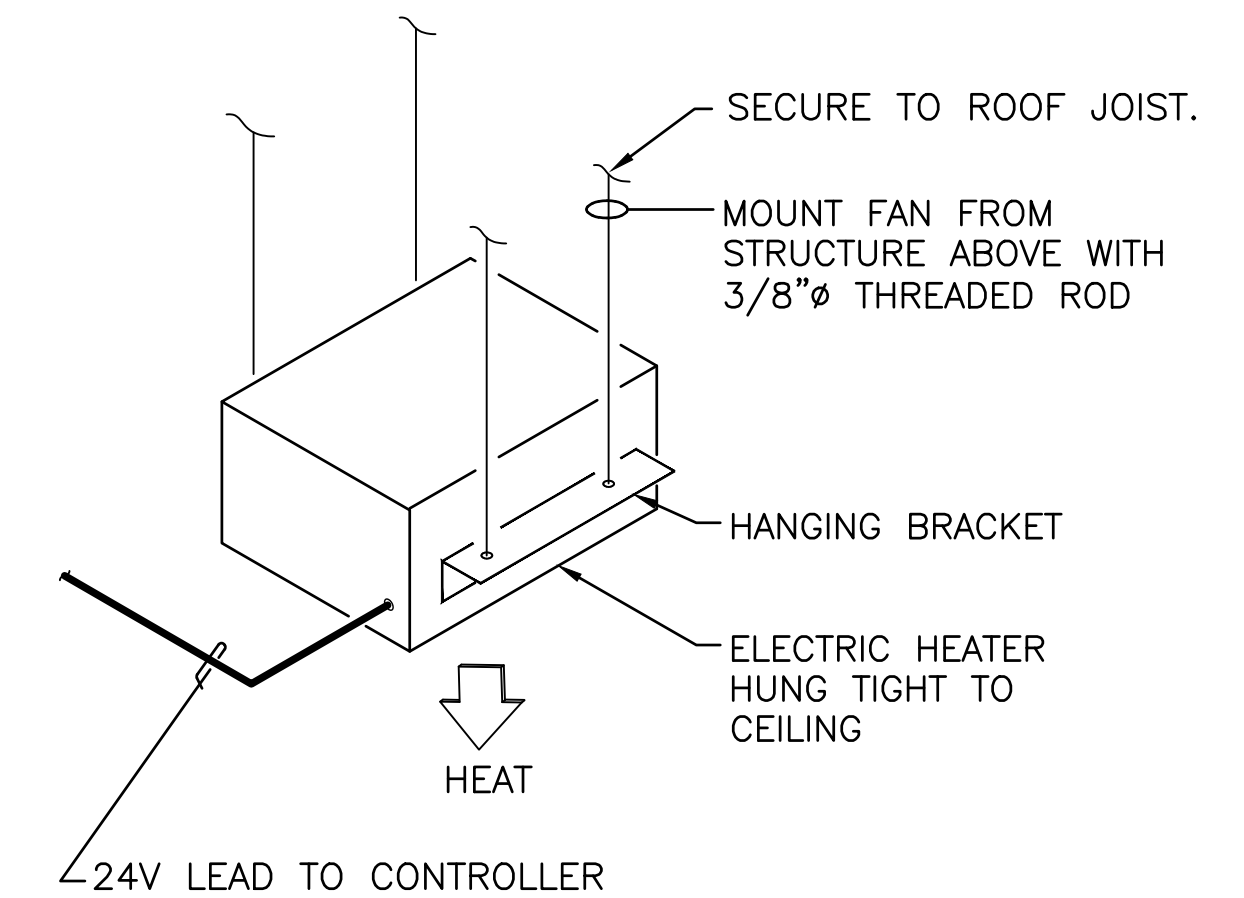
ERV DETAIL

SCALE: NTS



DUCTLESS AIR CONDITIONER UNIT DETAIL

SCALE: NTS



ELECTRIC CEILING HEATER - HANGING DETAIL

SCALE: NTS

SEQUENCE OF OPERATION

ENERGY RECOVERY VENTILATOR, ERV-1

- ERV-1 WILL ENERGIZE BASED ON ITS OCCUPANCY SCHEDULE PROGRAMMED IN THE LOCAL WALL CONTROLLER. DURING OCCUPIED MODE, THE FANS SHALL BE ENABLED. THE FANS SHALL RUN CONTINUOUSLY DURING OCCUPIED MODE.
- DURING UNOCCUPIED MODE, THE FANS SHALL BE DISABLED.

SPLIT HEAT PUMP SYSTEM, CU-1, HP-1, HP-2

INDOOR UNIT

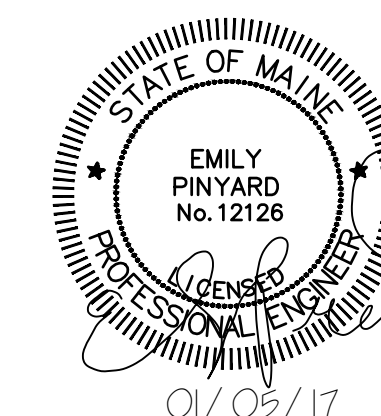
- HEAT PUMP WILL UTILIZE WIRED WALL CONTROLLER WITH INTEGRAL THERMOSTAT PROVIDED BY THE MANUFACTURER.
- THE OCCUPIED AND UNOCCUPIED SCHEDULE WILL BE SET BY THE WIRED CONTROLLER.
- DURING OCCUPIED MODE, THE HEAT PUMP WILL MAINTAIN A CONSTANT SPACE TEMPERATURE SETPOINT OF 70 DEG F (ADJUSTABLE) IN HEATING MODE AND 75 DEG F (ADJUSTABLE) IN COOLING MODE.
- DURING UNOCCUPIED MODE, THE HEAT PUMP WILL MAINTAIN A CONSTANT SPACE TEMPERATURE SETPOINT OF 55 DEG F (ADJUSTABLE) IN HEATING MODE AND 80 DEG F (ADJUSTABLE) IN COOLING MODE.
- DURING OCCUPIED/UNOCCUPIED MODE, ON A RISE OR DROP IN SPACE TEMPERATURE ABOVE THE COOLING SETPOINT OR BELOW THE HEATING SETPOINT THE UNIT COMPRESSOR SHALL STAGE ON AS REQUIRED TO SATISFY THE SPACE TEMPERATURE SETPOINT.
- DURING OCCUPIED MODE, ONCE THE SPACE TEMPERATURE IS SATISFIED THE COOLING/HEATING COIL SHALL STAGE OFF AND THE UNIT FAN SHALL RUN CONTINUOUSLY.
- DURING UNOCCUPIED MODE, ONCE THE SPACE TEMPERATURE IS SATISFIED THE COOLING/HEATING COIL SHALL STAGE OFF AND THE UNIT FAN WILL RUN FOR AN ADDITIONAL 30 SECONDS.

OUTDOOR UNIT

- CONDENSING UNIT OPERATION SHALL BE CONTROLLED THROUGH THE WIRED CONTROLLERS. THE UNIT SHALL STAGE ON AND OFF TO MAINTAIN NECESSARY REFRIGERANT TEMPERATURE CONTROL.

BATHROOM ELECTRIC CEILING HEATER, ECH-1

- ECH-1 SHALL ENERGIZE BASED ON A CALL FOR HEAT FROM THE LOCAL THERMOSTAT.
- ECH-1 SHALL DE-ENERGIZE WHEN SPACE TEMP SETPOINT (ADJUSTABLE) IS MET.



ISSUED FOR BID  
NOT FOR CONSTRUCTION  
JANUARY 5, 2017

PLEASE NOTE: THIS DOCUMENT MAY NOT ACCURATELY REPRESENT THE FINAL DOCUMENT. ONLY AN ENGINEER, ARCHITECT OR SURVEYOR SIGNED, SEALED AND DATED PAPER COPY, PROVIDED BY THIS OFFICE, MAY BE UTILIZED FOR BIDDING OR CONSTRUCTION PURPOSES.

				ecomaine	
				64 BLUEBERRY ROAD, PORTLAND, ME	
				SCALE HOUSE WITH INSULATED BLOCK CONSTRUCTION	
				MECHANICAL DETAILS	
C	RE-ISSUED FOR BID	MBD	ERP	01/05/17	
B	RE-ISSUED FOR BID	MBD	ERP	10/28/16	
A	ISSUED FOR BID	MBD	ERP	9/02/16	
REV	DESCRIPTION	DWN	APP	DATE	
		SIZE: ANSI D		PROJECT NO.	DRAWING NO.
		DATE: 09/02/2016		162.002.002	
		DES BY: MIF		SHEET	
		DWN BY: MBD		30	OF 40
		CHK BY: ERP			

Colby Company  
engineering  
47A York Street  
Portland, Maine 04101  
207.533.7753  
colbycoengineering.com

M-501