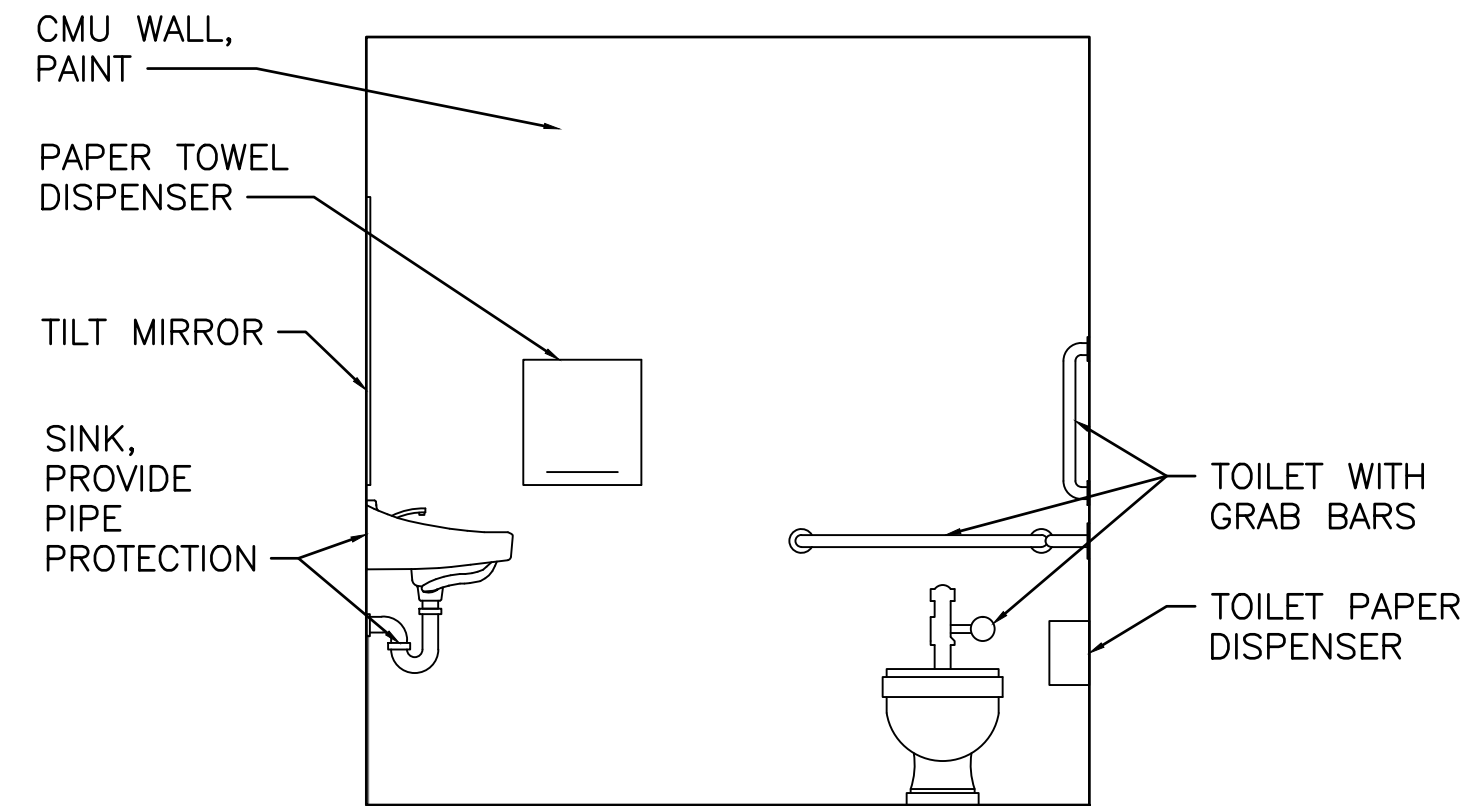
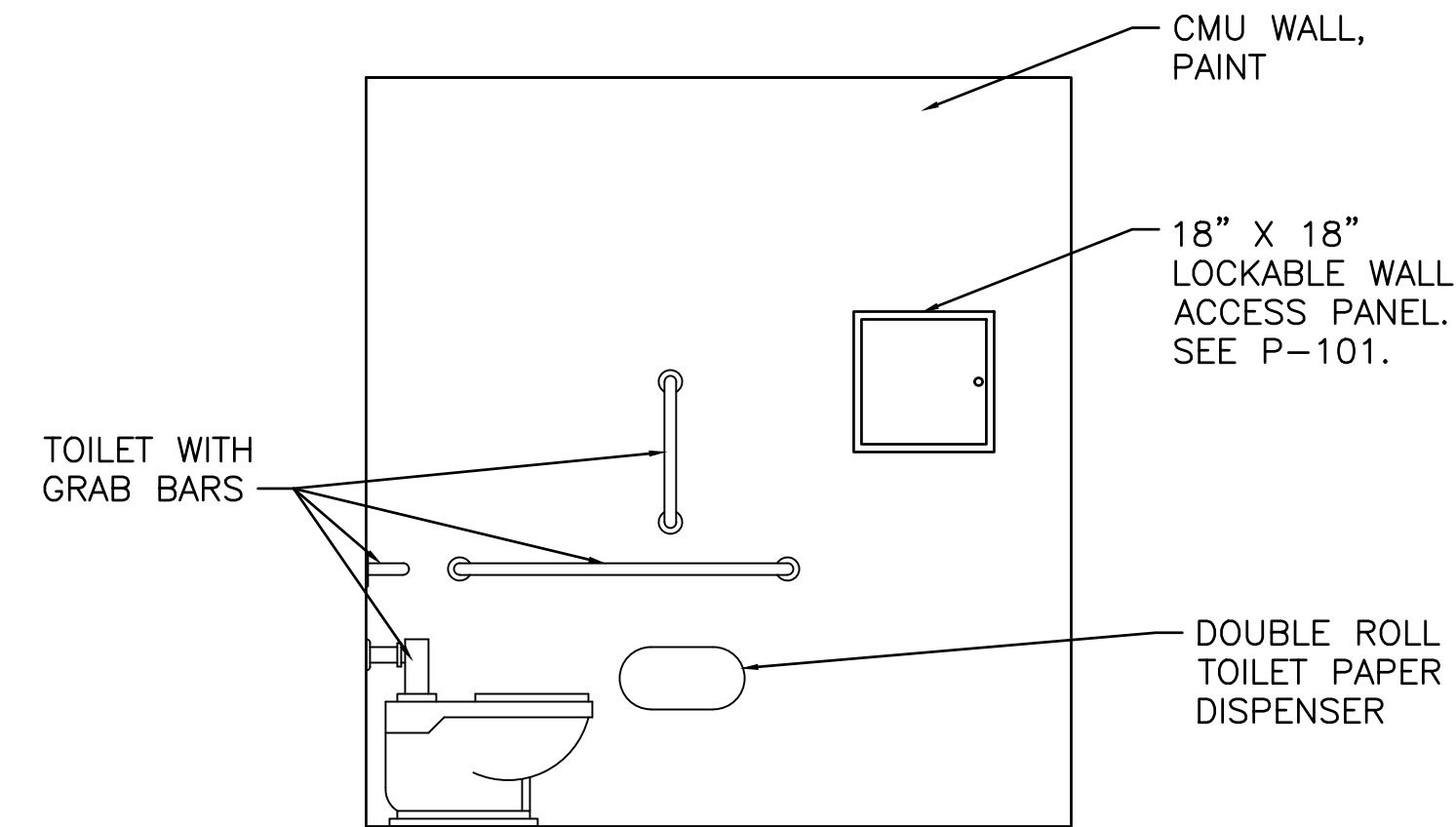


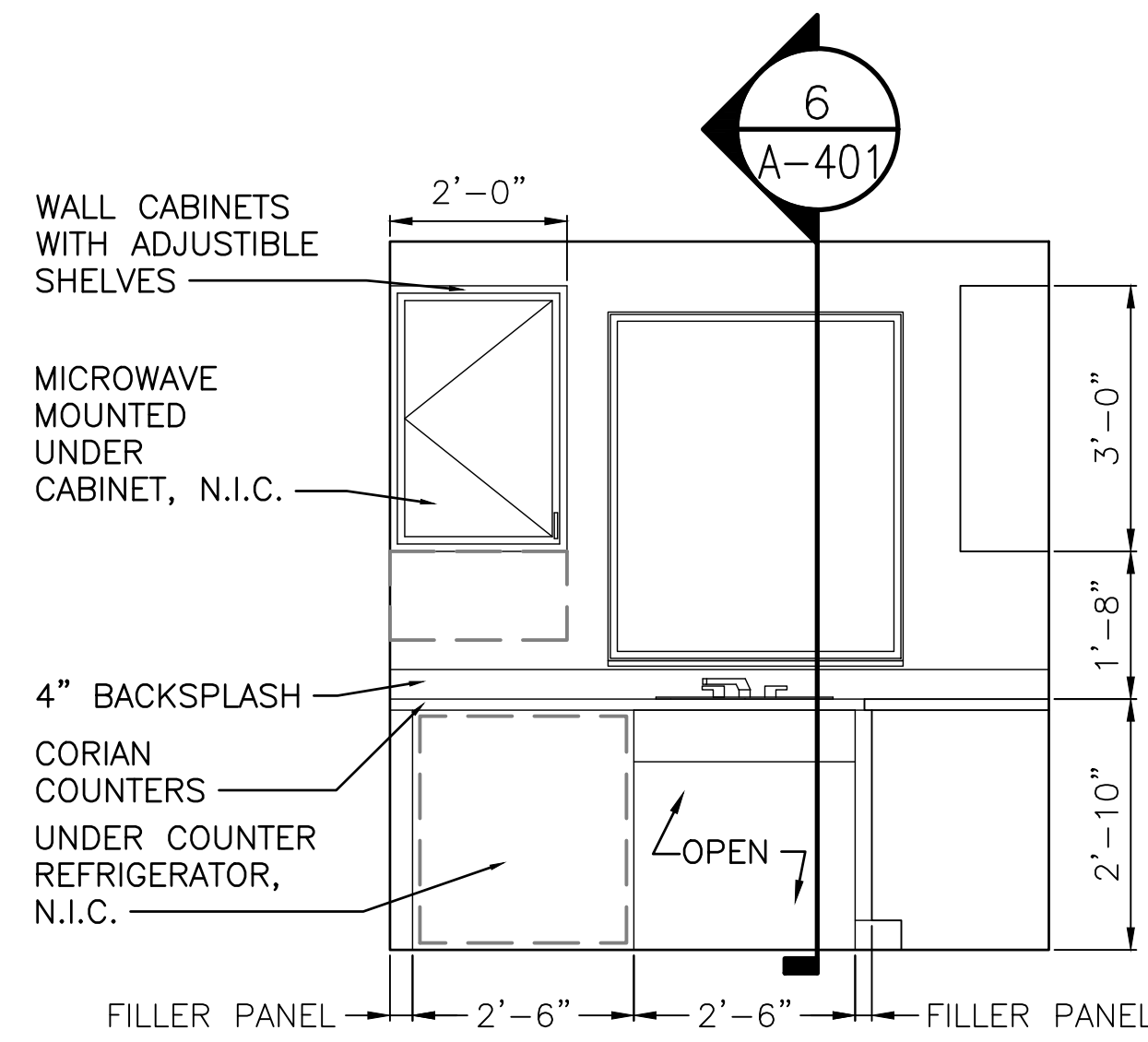
1 UNISEX BATHROOM 104
A-401 SCALE: 1/2" = 1'-0"



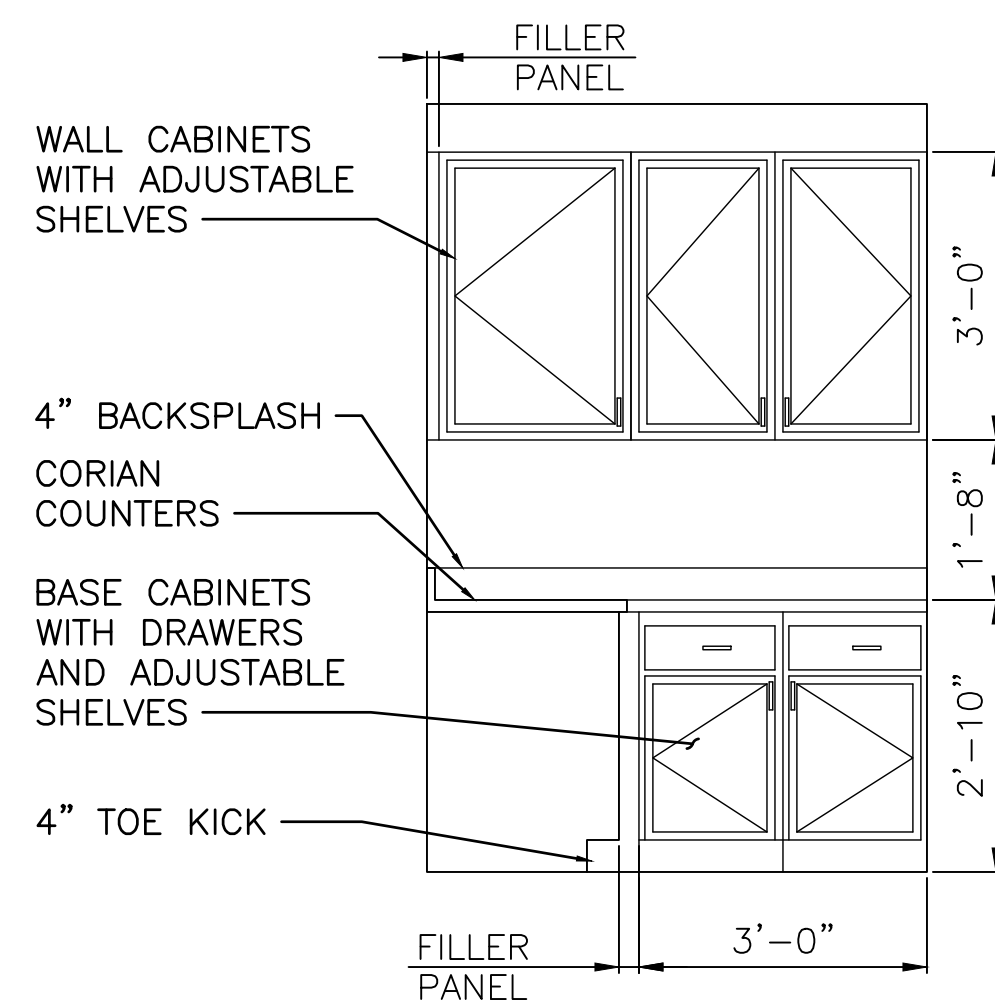
2 UNISEX BATHROOM 104
A-401 SCALE: 1/2" = 1'-0"



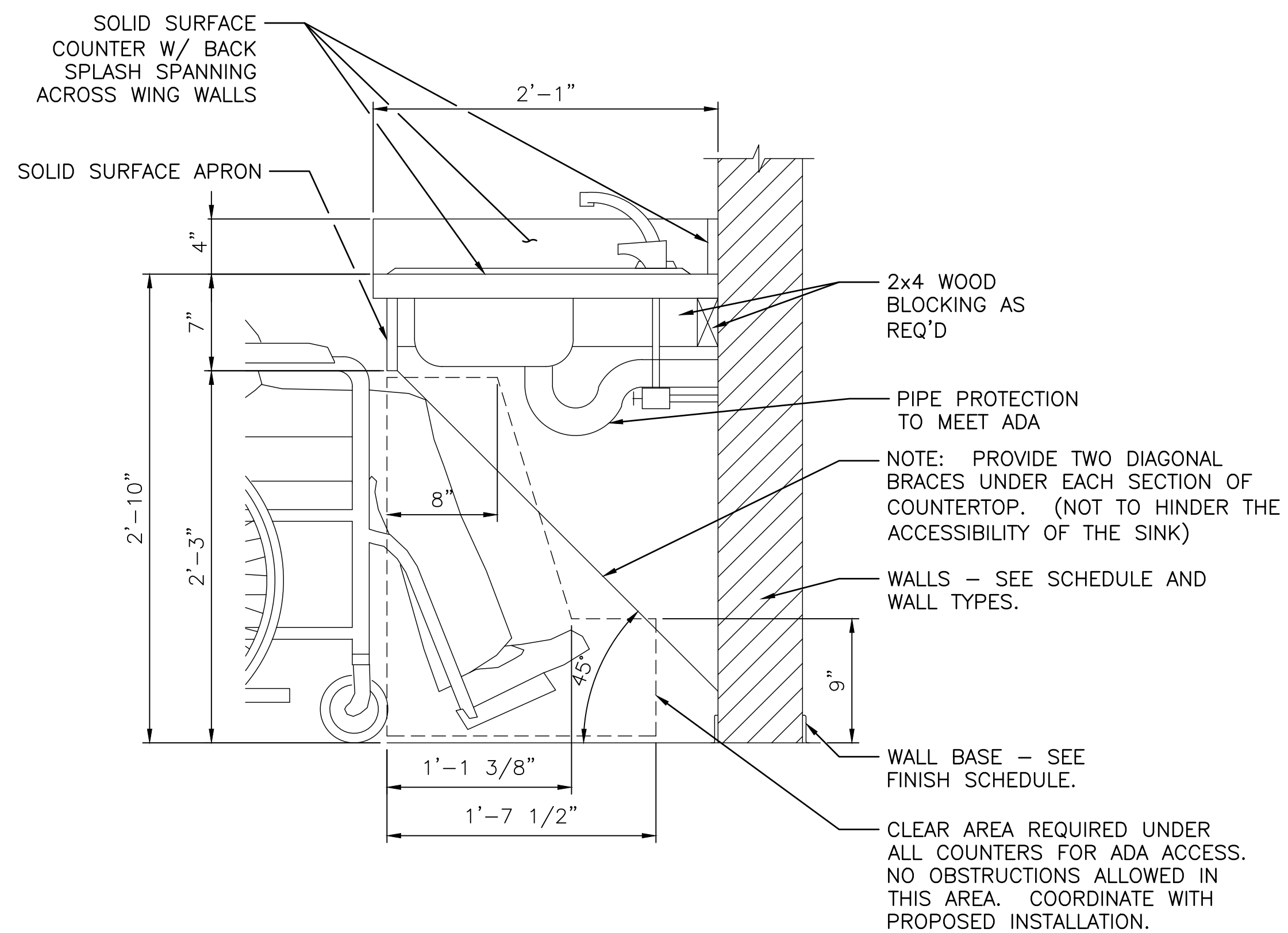
3 UNISEX BATHROOM 104
A-401 SCALE: 1/2" = 1'-0"



4 KITCHEN 102
A-401 SCALE: 1/2" = 1'-0"

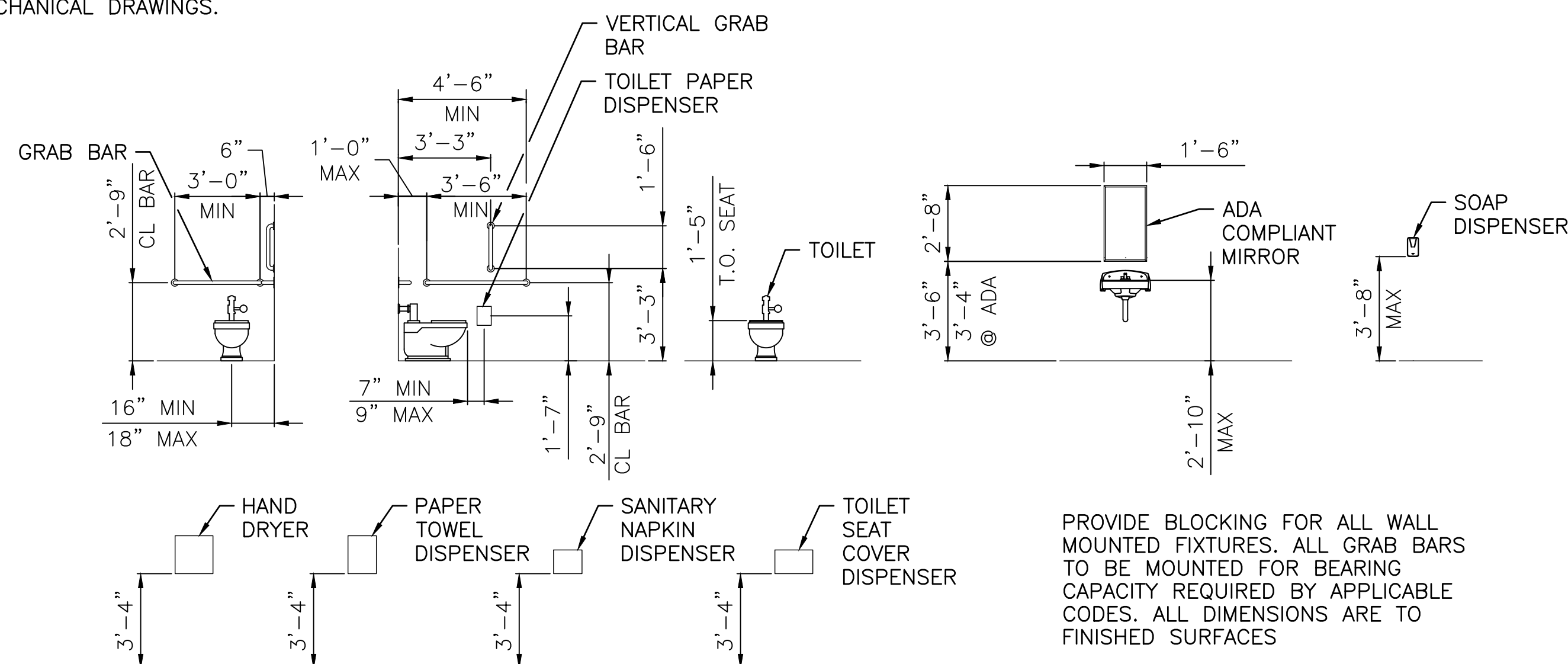


5 KITCHEN 102
A-401 SCALE: 1/2" = 1'-0"



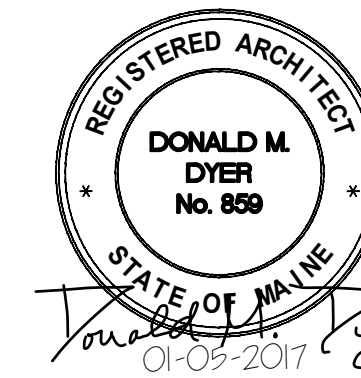
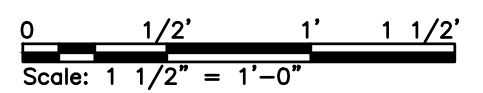
6 DETAIL - TYPICAL ADA COUNTER
A-401 SCALE: 1 1/2" = 1'-0"

NOTE:
CABINET WILL HOUSE A WATER HEATER AND WATER METER. CABINET TO HAVE NO FLOOR PANEL TO ALLOW FOR ACCESS TO FLOOR DRAIN. SEE MECHANICAL DRAWINGS.



PROVIDE BLOCKING FOR ALL WALL MOUNTED FIXTURES. ALL GRAB BARS TO BE MOUNTED FOR BEARING CAPACITY REQUIRED BY APPLICABLE CODES. ALL DIMENSIONS ARE TO FINISHED SURFACES

ISSUED FOR BID
NOT FOR CONSTRUCTION
JANUARY 5, 2017



REV	DESCRIPTION	DWN	APP	DATE
C	RE-ISSUED FOR BID	BLB	CBC	01/05/17
B	RE-ISSUED FOR BID	BLB	CBC	10/28/16
A	ISSUED FOR BID	BLB	CBC	9/02/16

PLEASE NOTE: THIS DOCUMENT MAY NOT ACCURATELY REPRESENT THE FINAL DOCUMENT. ONLY AN ENGINEER, ARCHITECT OR SURVEYOR SIGNED, SEALED AND DATED PAPER COPY, PROVIDED BY THIS OFFICE, MAY BE UTILIZED FOR BIDDING OR CONSTRUCTION PURPOSES.

47A York Street
Portland, Maine 04101
207.553.7753
colbycoengineering.com

SIZE: ANSI D
DATE: 09/02/2016
DES BY: BLB
DWN BY: BLB
CKD BY: DMD

PROJECT NO.
162.002.002
SHEET
17 OF 40

DRAWING NO.
A-401