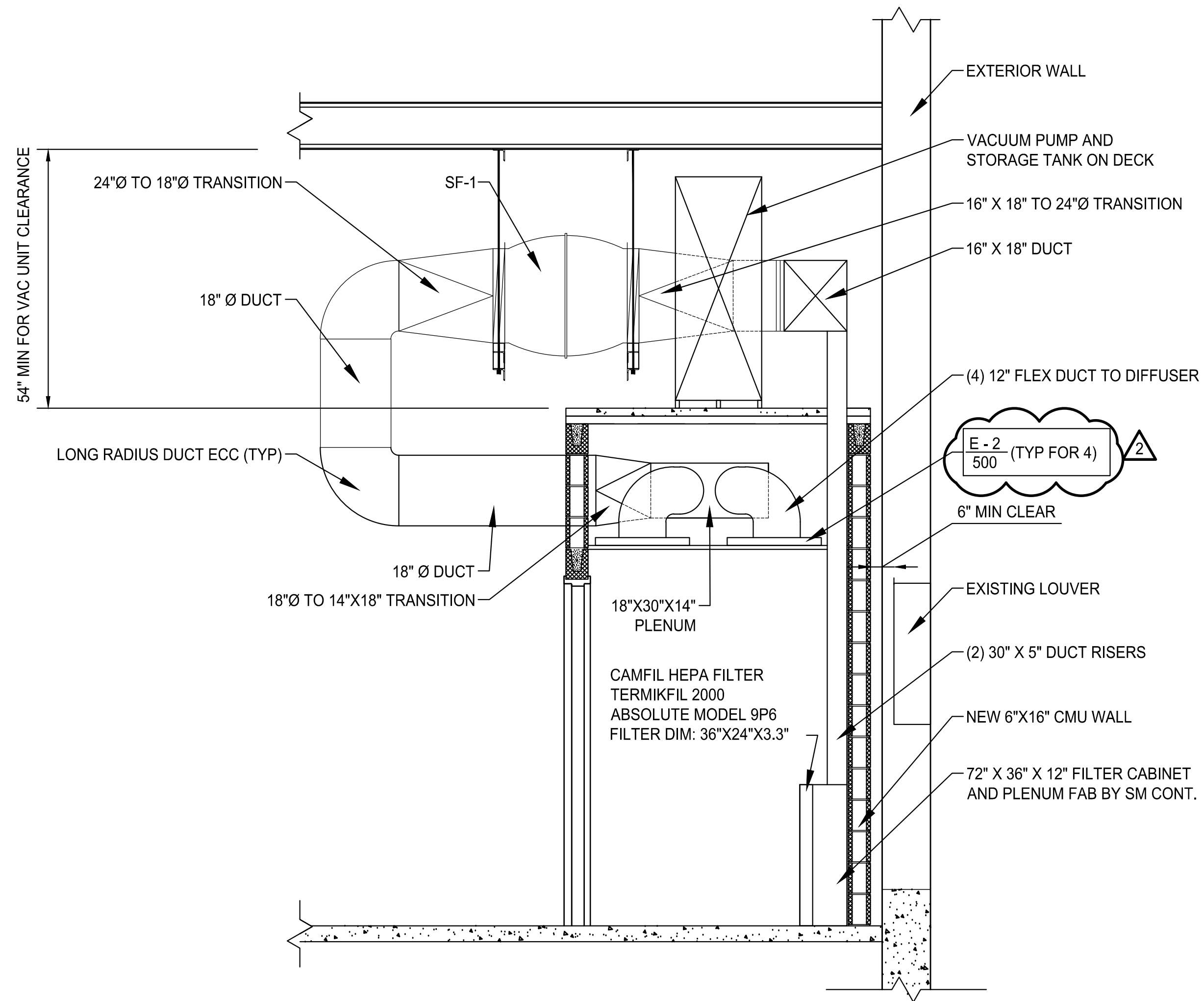
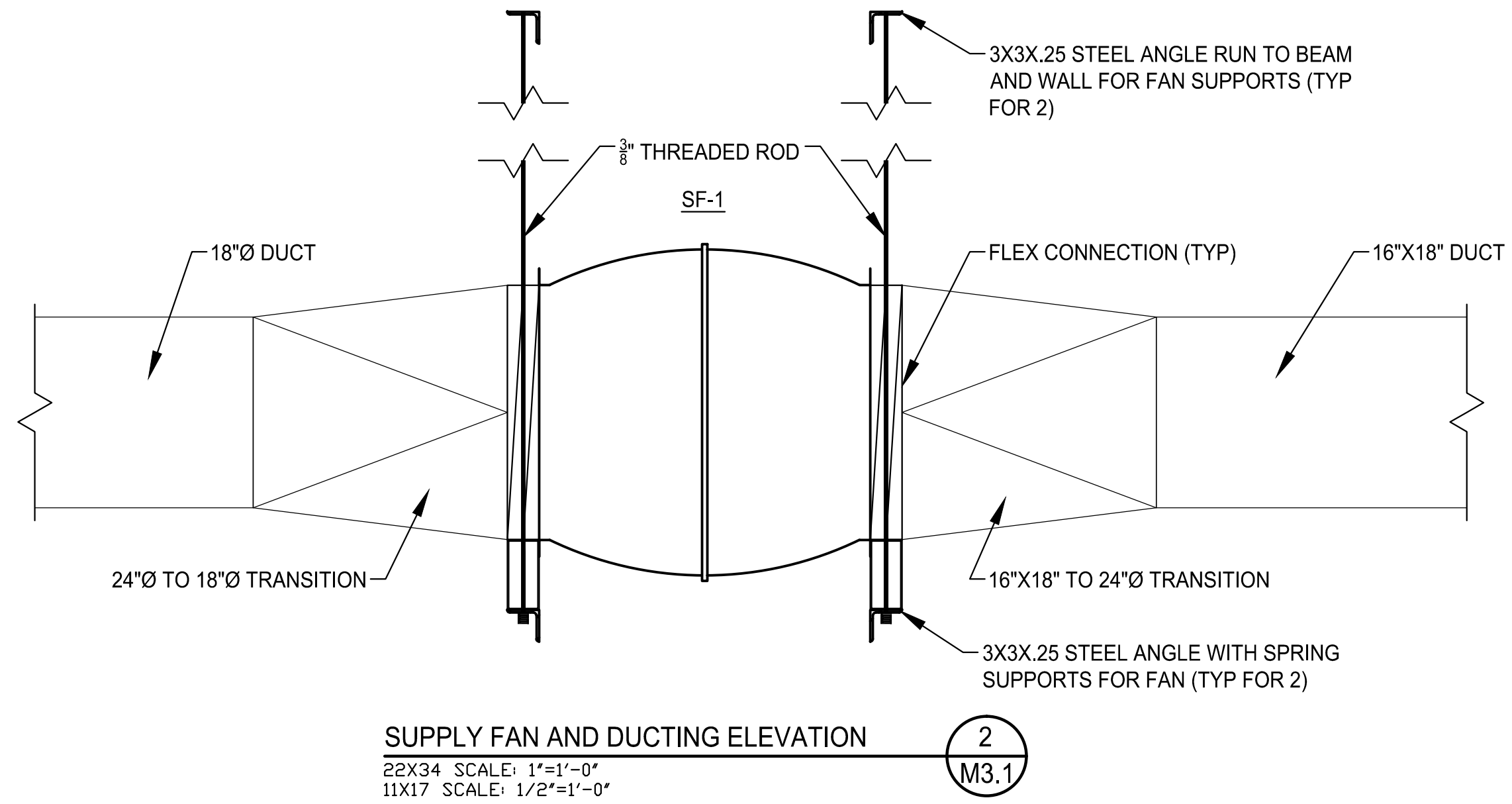


COPYRIGHT 2015 © DIRIGO ARCHITECTURAL ENGINEERING LLC. ALL RIGHTS RESERVED. NO REPRODUCTION WITHOUT PRIOR WRITTEN PERMISSION



VACUUM BOOTH SECTION
 22X34 SCALE: 1/2"=1'-0"
 11X17 SCALE: 1/4"=1'-0"

1
M3.1



SUPPLY FAN AND DUCTING ELEVATION
 22X34 SCALE: 1"=1'-0"
 11X17 SCALE: 1/2"=1'-0"

2
M3.1

ecomaine
 LOCKER ROOM RENOVATION
 PORTLAND
 MAINE

SIGNED COPY OF DRAWING ON FILE AT DIRIGO A/E OFFICE
 STATE OF MAINE
 REGISTERED PROFESSIONAL ENGINEER
 ROBERT A. BROWN
 LICENSE NO. 10792
 6/1/2016

VAC BOOTH AND FAN DETAILS

REV.	DATE	DESCRIPTION
1	1/18/16	ISSUED FOR CONSTRUCTION
2	6/1/16	ISSUED FOR SET
3		

DRAWN BY: DLB CHECKED BY: RHB

PH: (207) 225 - 3040
 1071 Auburn Road
 Suite G
 Turner, ME 04282

DIRIGO ARCHITECTURAL
 ENGINEERING • CONSTRUCTION MANAGEMENT
 EM: tperkins@dirigoae.com W: www.dirigoae.com

DATE: 6/1/16
 PROJECT NO. 15-015
 SHEET NO.

M3.1