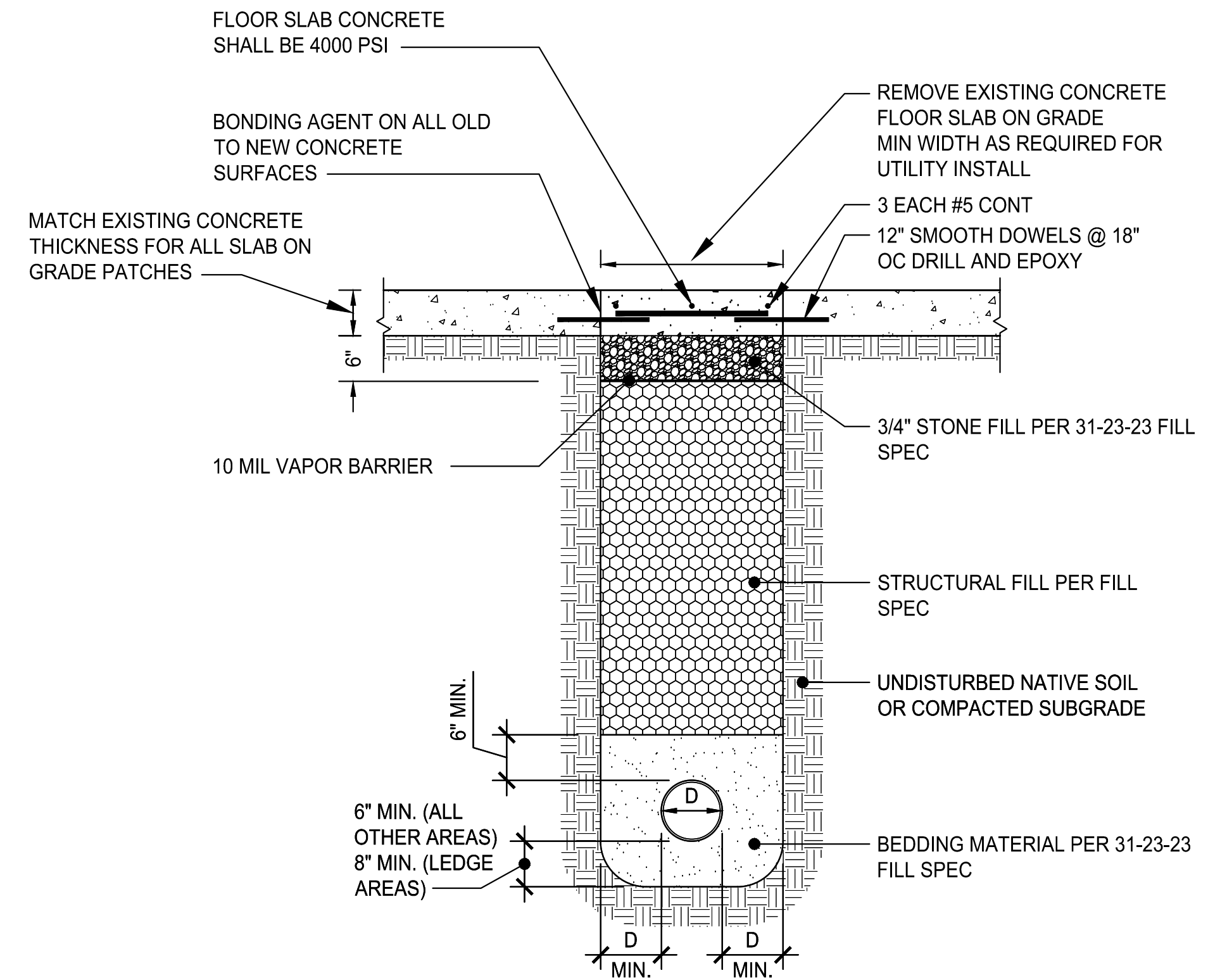


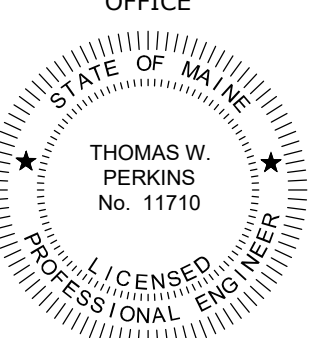
COPYRIGHT 2016 © DIRIGO ARCHITECTURAL ENGINEERING LLC. ALL RIGHTS RESERVED. NO REPRODUCTION WITHOUT PRIOR WRITTEN PERMISSION

Jan 18, 2016 - 9:52am
C:\Users\David\Desktop\Projects\DAE 15-015 ecomaine Locker Room\CAD Files\15-015 Structural.dwg



FLOOR PATCH AND UNDERSLAB UTILITY DETAIL 1
 22X34 SCALE: 3/4"=1'-0"
 11X17 SCALE: 3/8"=1'-0" **S3.2**

ecomaine
LOCKER ROOM RENOVATION
 PORTLAND
 MAINE

SIGNED COPY OF DRAWING
 ON FILE AT DIRIGO A/E
 OFFICE

 1/18/16

FLOOR PATCH & UNDERSLAB UTILITY DETAIL

REV.	DATE	DESCRIPTION
1	1/18/16	ISSUED FOR CONSTRUCTION

DRAWN BY: CGB CHECKED BY: TWP

PH: (207) 225 - 3040
 1071 Auburn Road
 Suite G
 Turner, ME 04282


DIRIGO
ARCHITECTURAL
 ENGINEERING • CONSTRUCTION MANAGEMENT
 EM:tperkins@dirigoae.com W:www.dirigoae.com

DATE: 1/18/16
 PROJECT NO. 15-015
 SHEET NO.
S3.2