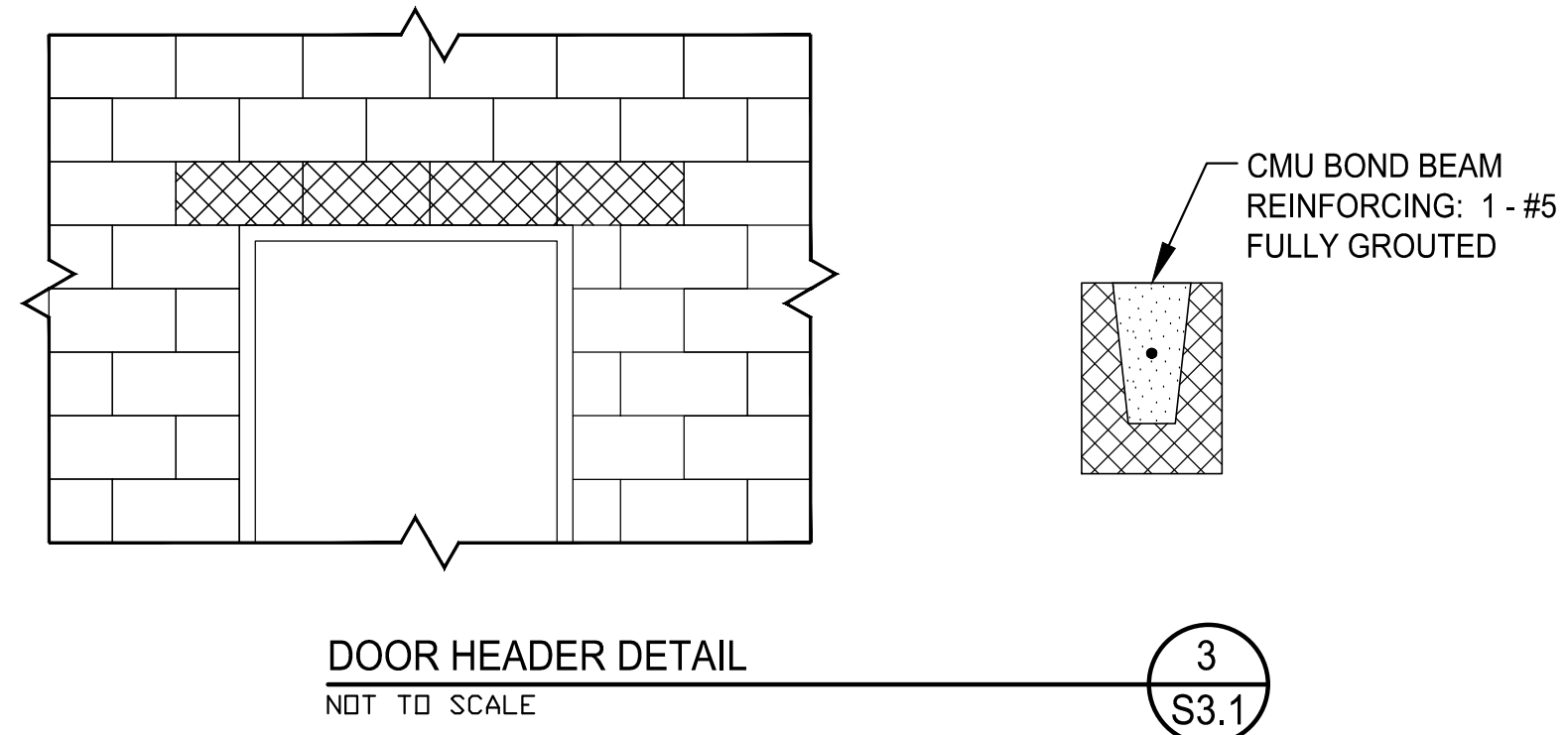
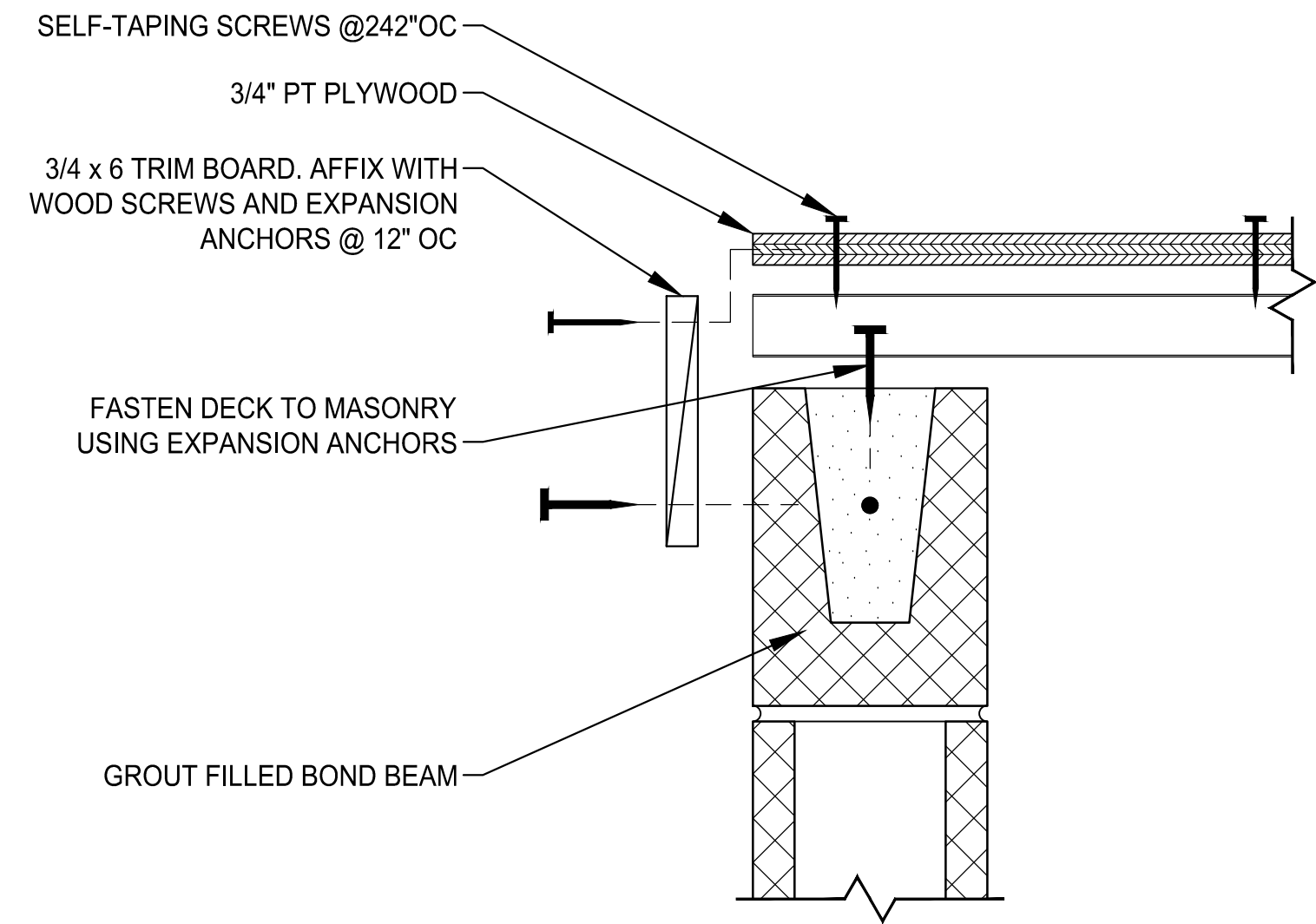
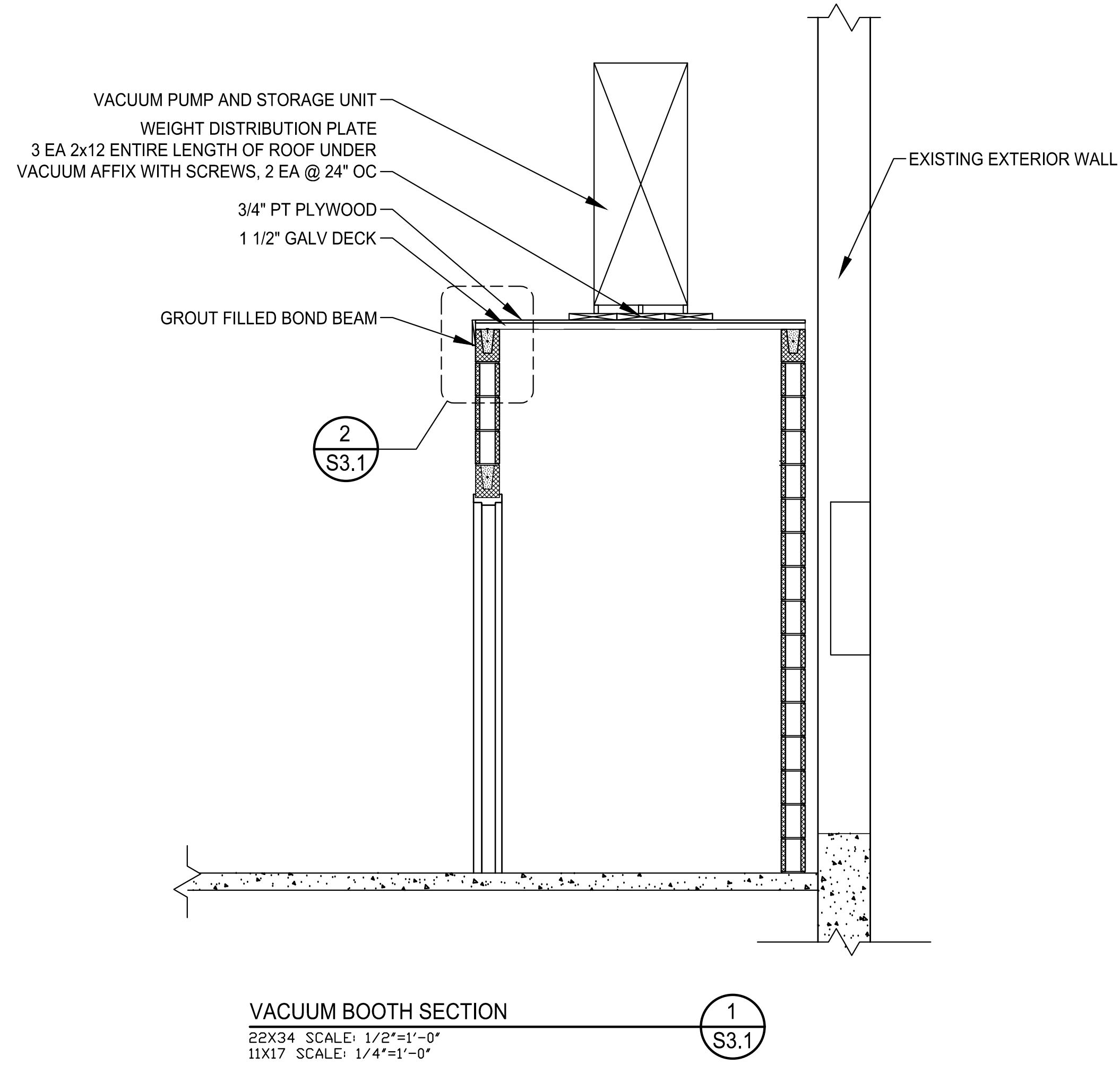
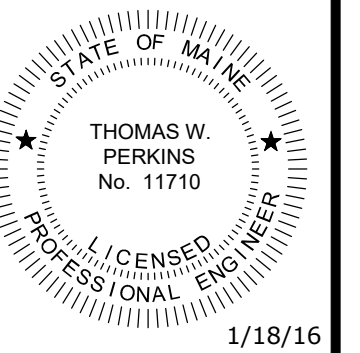


COPYRIGHT 2016 © DIRIGO ARCHITECTURAL ENGINEERING LLC. ALL RIGHTS RESERVED. NO REPRODUCTION WITHOUT PRIOR WRITTEN PERMISSION

Jan 18, 2016 - 9:47am
 C:\Users\David\Desktop\Projects\DAE 15-015 ecomaine Locker Room\CAD Files\15-015 Structural.dwg



SIGNED COPY OF DRAWING
 ON FILE AT DIRIGO A/E
 OFFICE



VAC ROOM CEILING SECTION		
REV.	DATE	DESCRIPTION
1	1/18/16	ISSUED FOR CONSTRUCTION

DRAWN BY: CGB
 CHECKED BY: TWP

PH: (207) 225 - 3040
 1071 Auburn Road
 Suite G
 Turner, ME 04282



DATE: 1/18/16
 PROJECT NO. 15-015
 SHEET NO.

S3.1