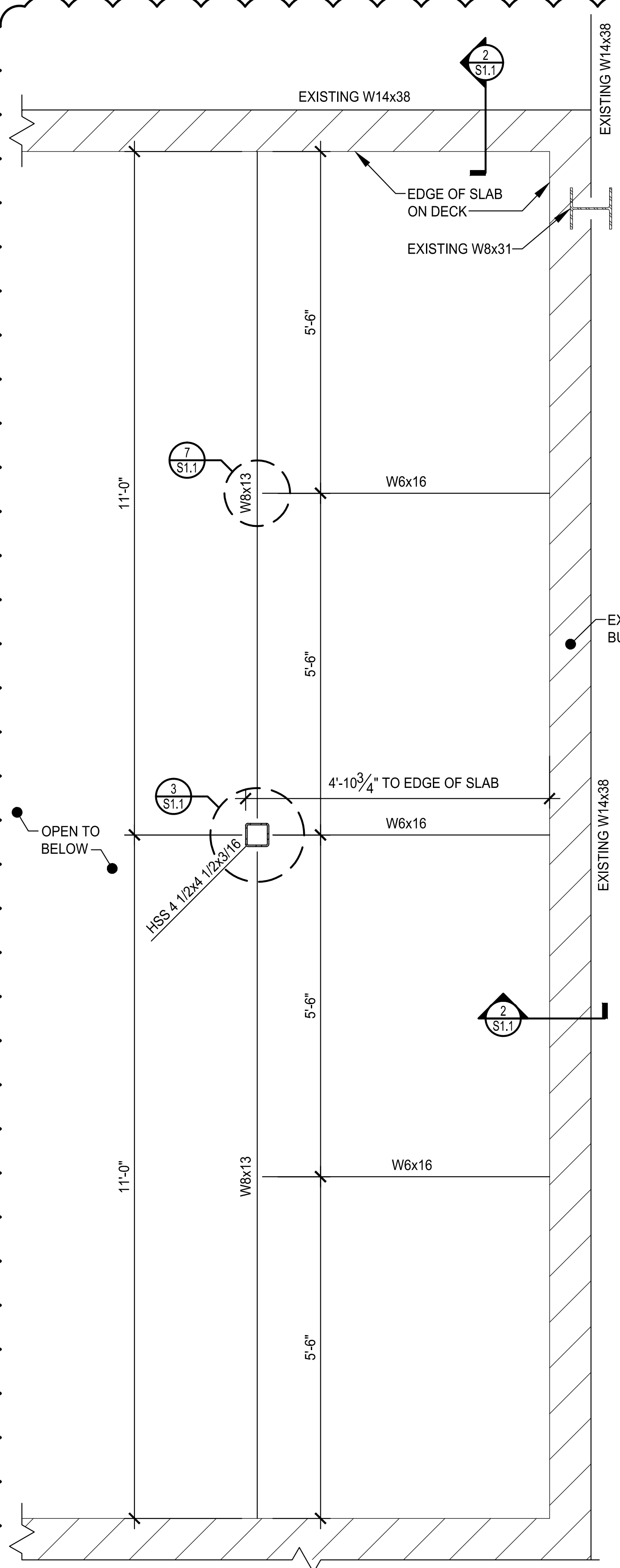
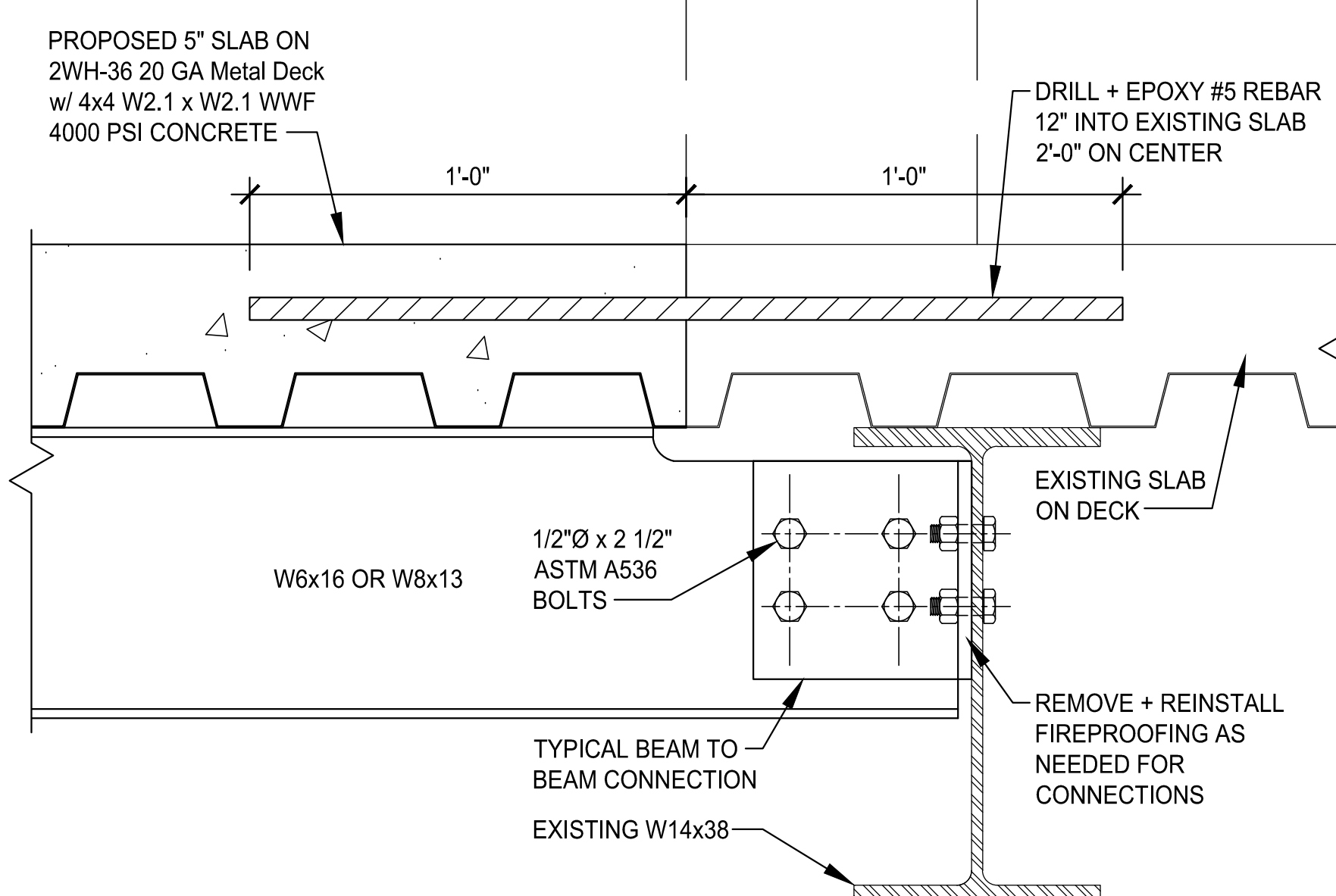


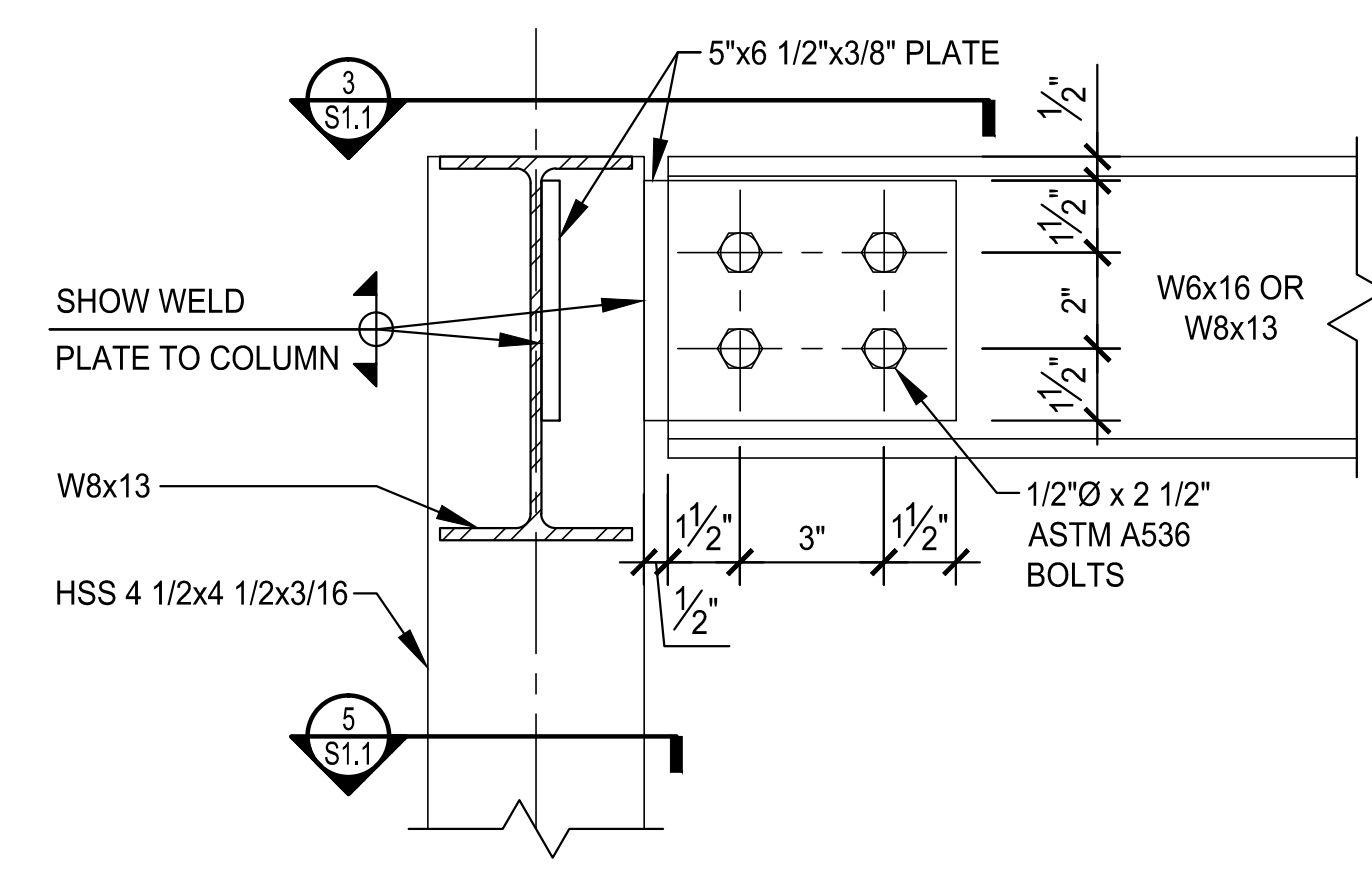
COPYRIGHT 2016 © DIRIGO ARCHITECTURAL ENGINEERING LLC. ALL RIGHTS RESERVED. NO REPRODUCTION WITHOUT PRIOR WRITTEN PERMISSION



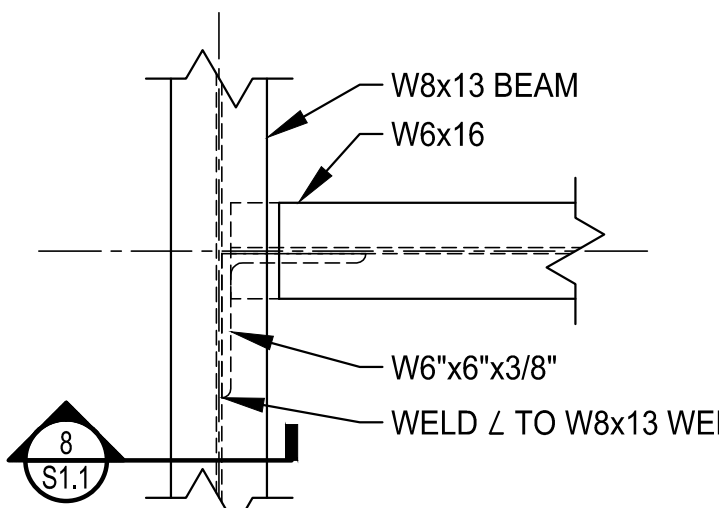
MEZZANINE FRAMING PLAN
 22X34 SCALE: 3/4"=1'-0"
 11X17 SCALE: 3/8"=1'-0"
 S1.1



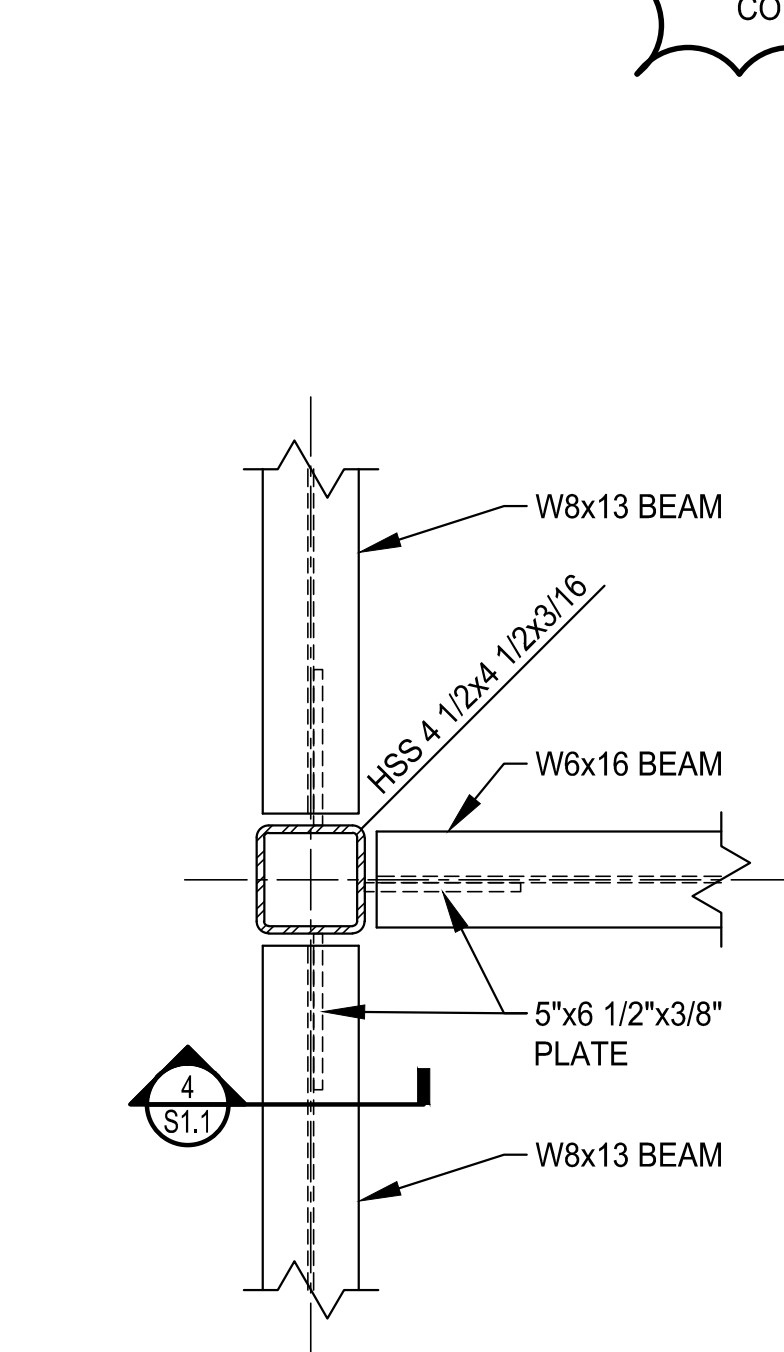
TIE TO EXISTING CONNECTION SECTION
 22X34 SCALE: 3"=1'-0"
 11X17 SCALE: 1 1/2"=1'-0"
 S1.1



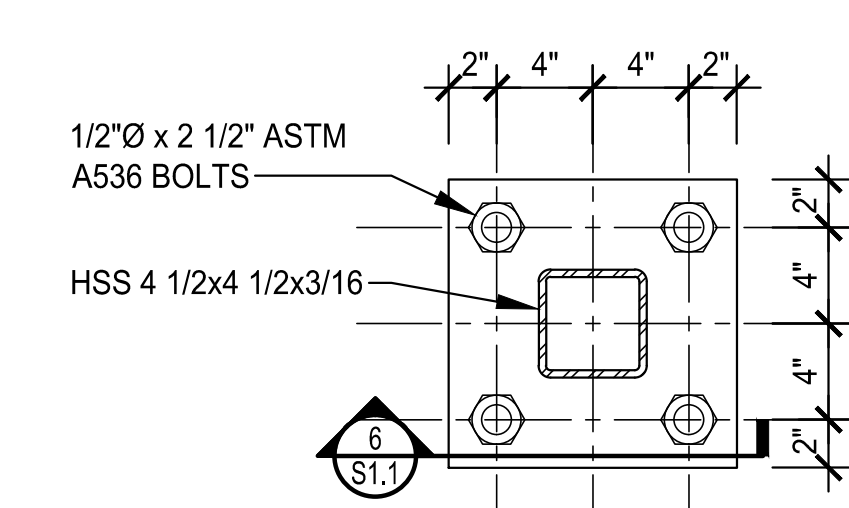
TYPICAL OF 3 SIDES COLUMN TO BEAM CONNECTION SECTION
 22X34 SCALE: 1 1/2"=1'-0"
 11X17 SCALE: 3/4"=1'-0"
 S1.1



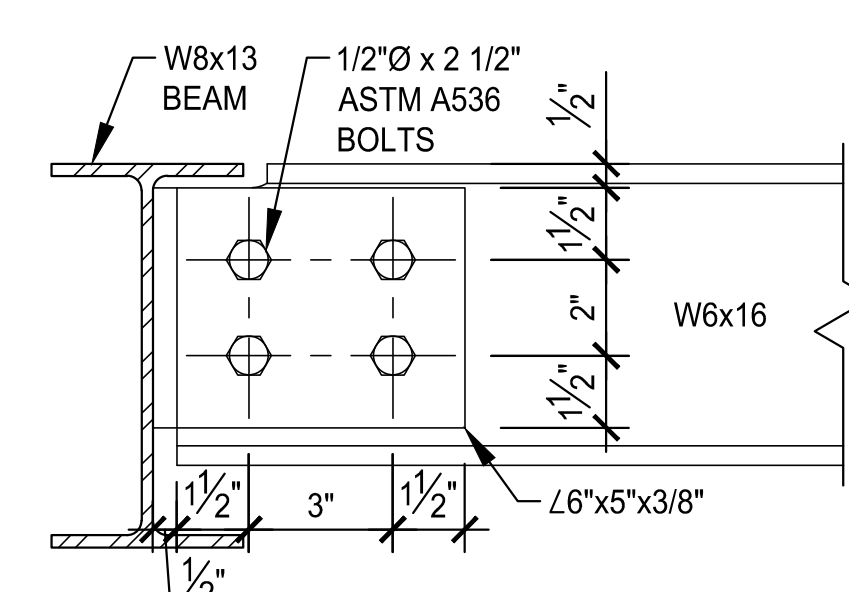
BEAM TO BEAM CONNECTION PLAN
 22X34 SCALE: 1 1/2"=1'-0"
 11X17 SCALE: 3/4"=1'-0"
 S1.1



COLUMN TO BEAM CONNECTION PLAN
 22X34 SCALE: 1 1/2"=1'-0"
 11X17 SCALE: 3/4"=1'-0"
 S1.1

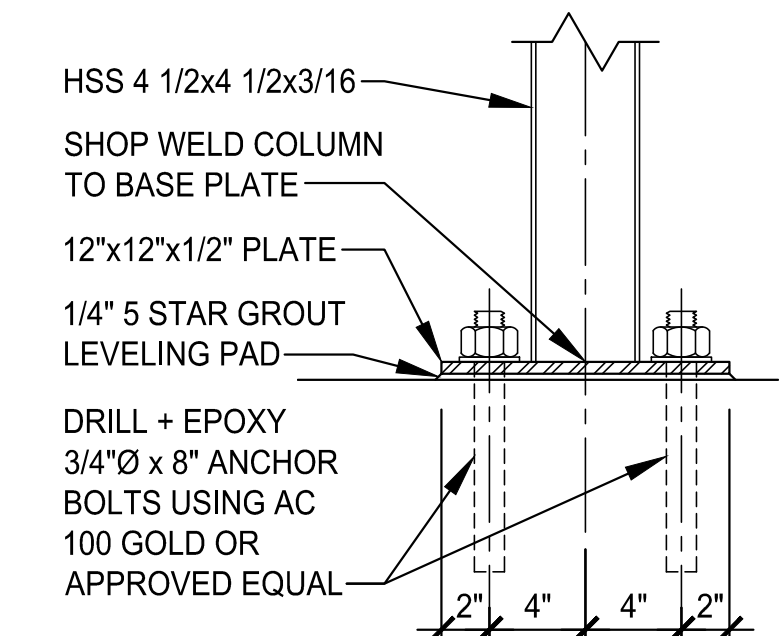


COLUMN TO BEAM CONNECTION PLAN
 22X34 SCALE: 1 1/2"=1'-0"
 11X17 SCALE: 3/4"=1'-0"
 S1.1



BEAM TO BEAM CONNECTION SECTION
 22X34 SCALE: 3"=1'-0"
 11X17 SCALE: 1 1/2"=1'-0"
 S1.1

- NOTES:**
1. FIELD VERIFY ALL CONNECTIONS TO EXISTING STRUCTURE
 2. REMOVE FIREPROOFING FROM EXISTING STRUCTURE AS NEEDED FOR A COMPLETE INSTALLATION AND REAPPLY



COLUMN TO BEAM CONNECTION PLAN
 22X34 SCALE: 1 1/2"=1'-0"
 11X17 SCALE: 3/4"=1'-0"
 S1.1

SIGNED COPY OF DRAWING ON FILE AT DIRIGO A/E OFFICE

STATE OF MAINE
 THOMAS W. PERKINS
 No. 11710
 LICENSED PROFESSIONAL ENGINEER
 6/1/16

MEZZANINE FRAMING PLAN + DETAILS

REV.	DATE	DESCRIPTION
1	1/18/16	ISSUED FOR CONSTRUCTION
2	6/7/16	ISSUED FOR S1.1
3		

CHECKED BY: TWP
 DRAWN BY: CGB

PH: (207) 225 - 3040
 1071 Auburn Road
 Suite G
 Turner, ME 04282

DIRIGO ARCHITECTURAL
 ENGINEERING • CONSTRUCTION MANAGEMENT
 EM: tperkins@dirigoae.com W: www.dirigoae.com

DATE: 6/1/16
 PROJECT NO. 15-015
 SHEET NO.

S1.1