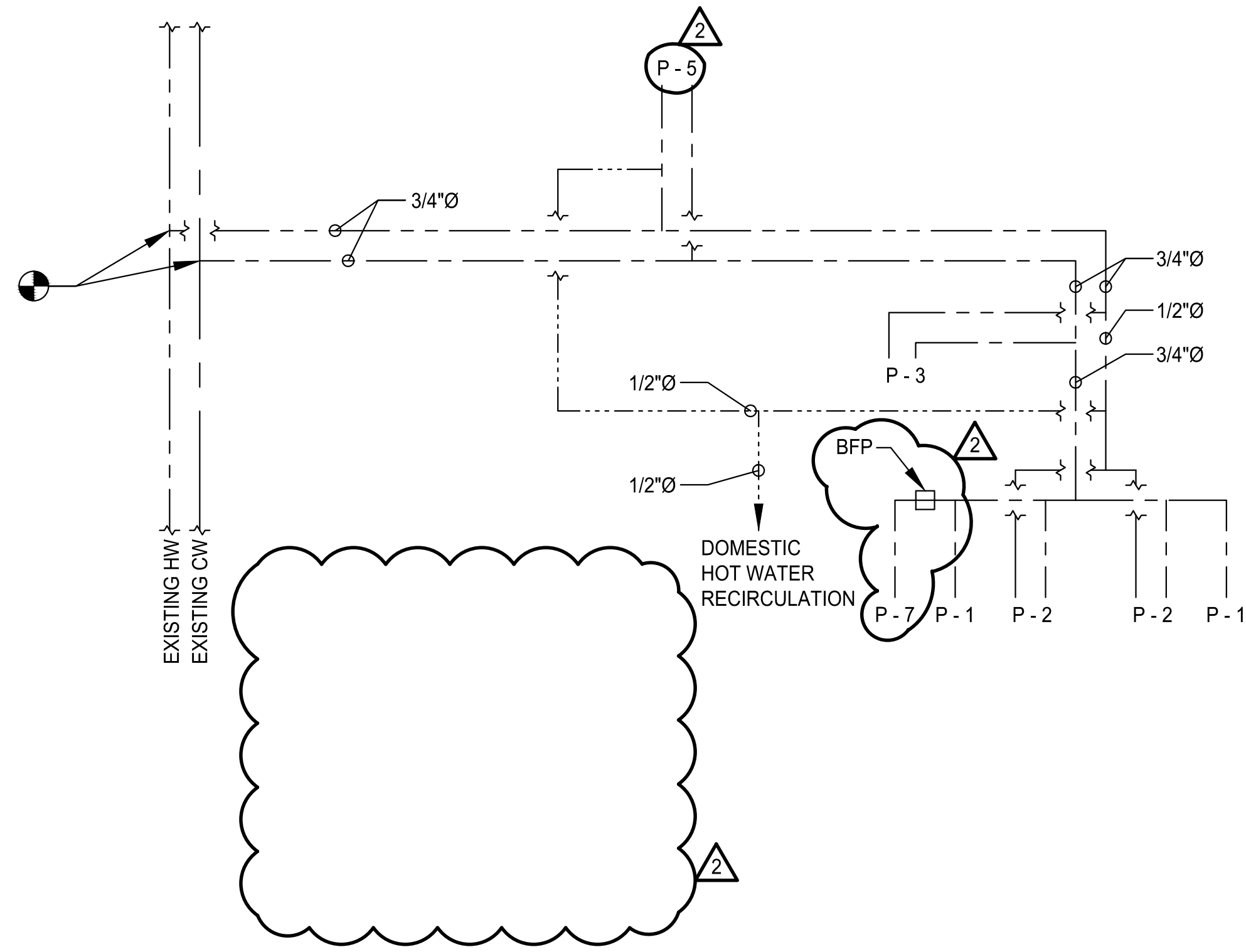
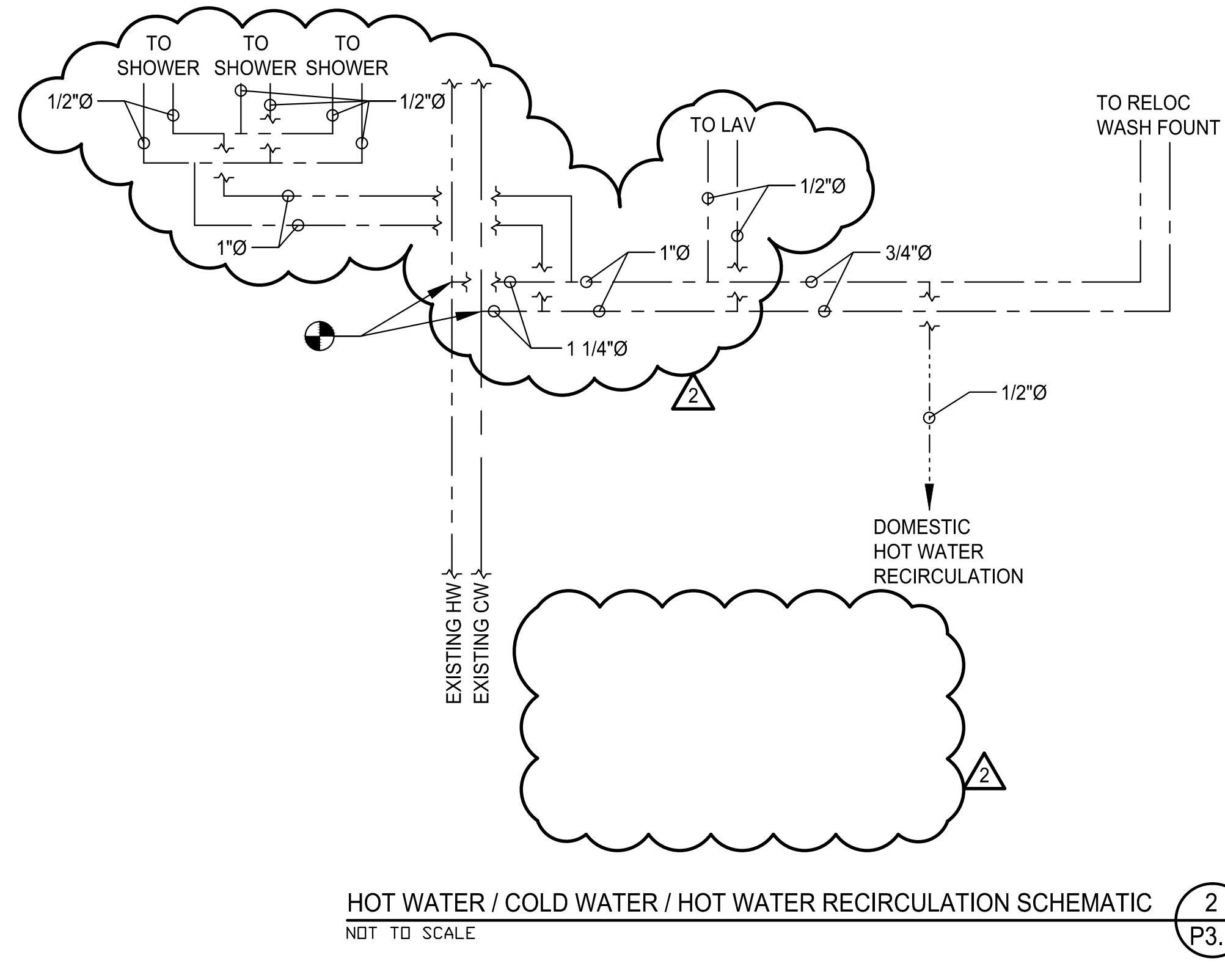


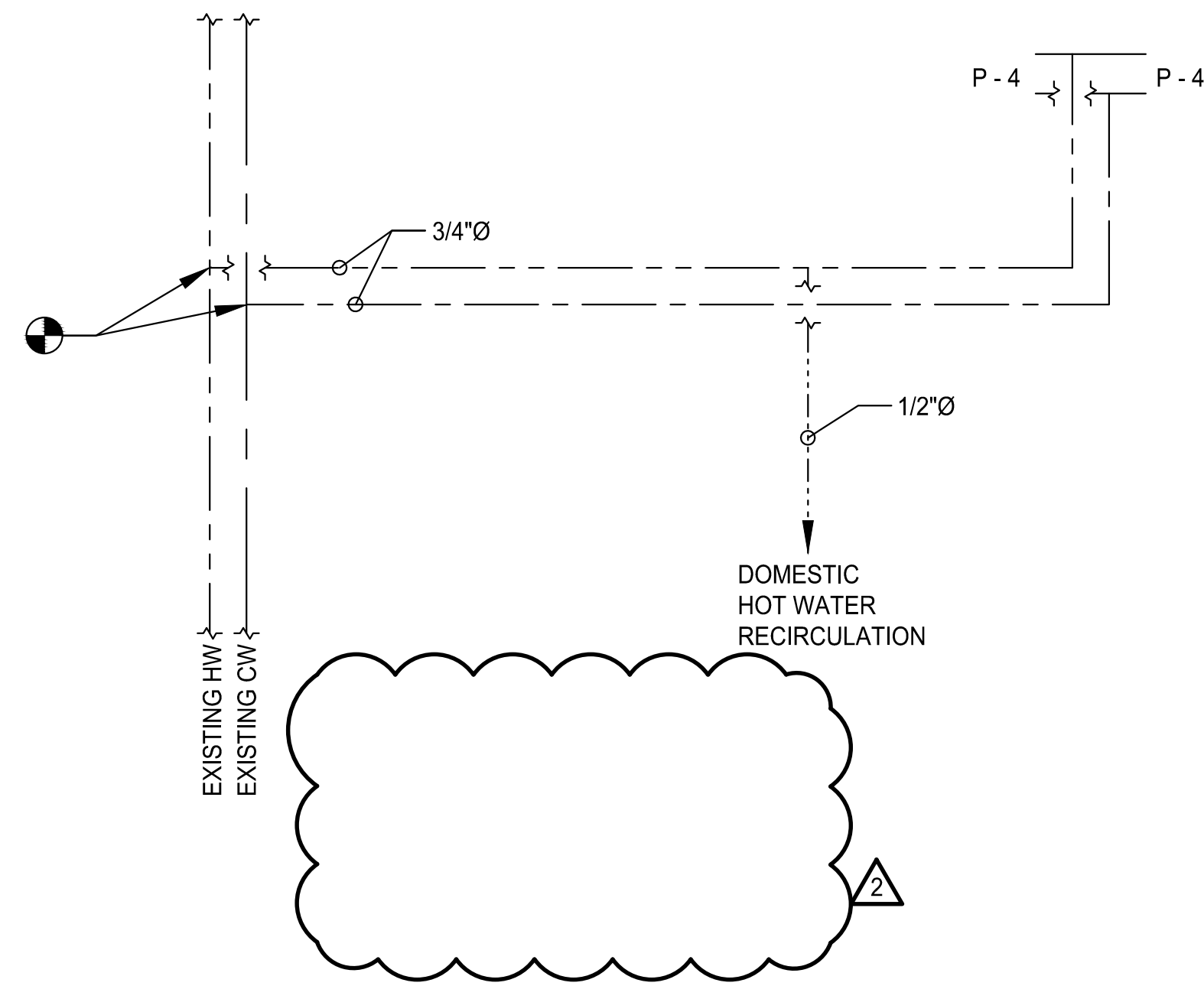
COPYRIGHT 2015 © DIRIGO ARCHITECTURAL ENGINEERING LLC. ALL RIGHTS RESERVED. NO REPRODUCTION WITHOUT PRIOR WRITTEN PERMISSION



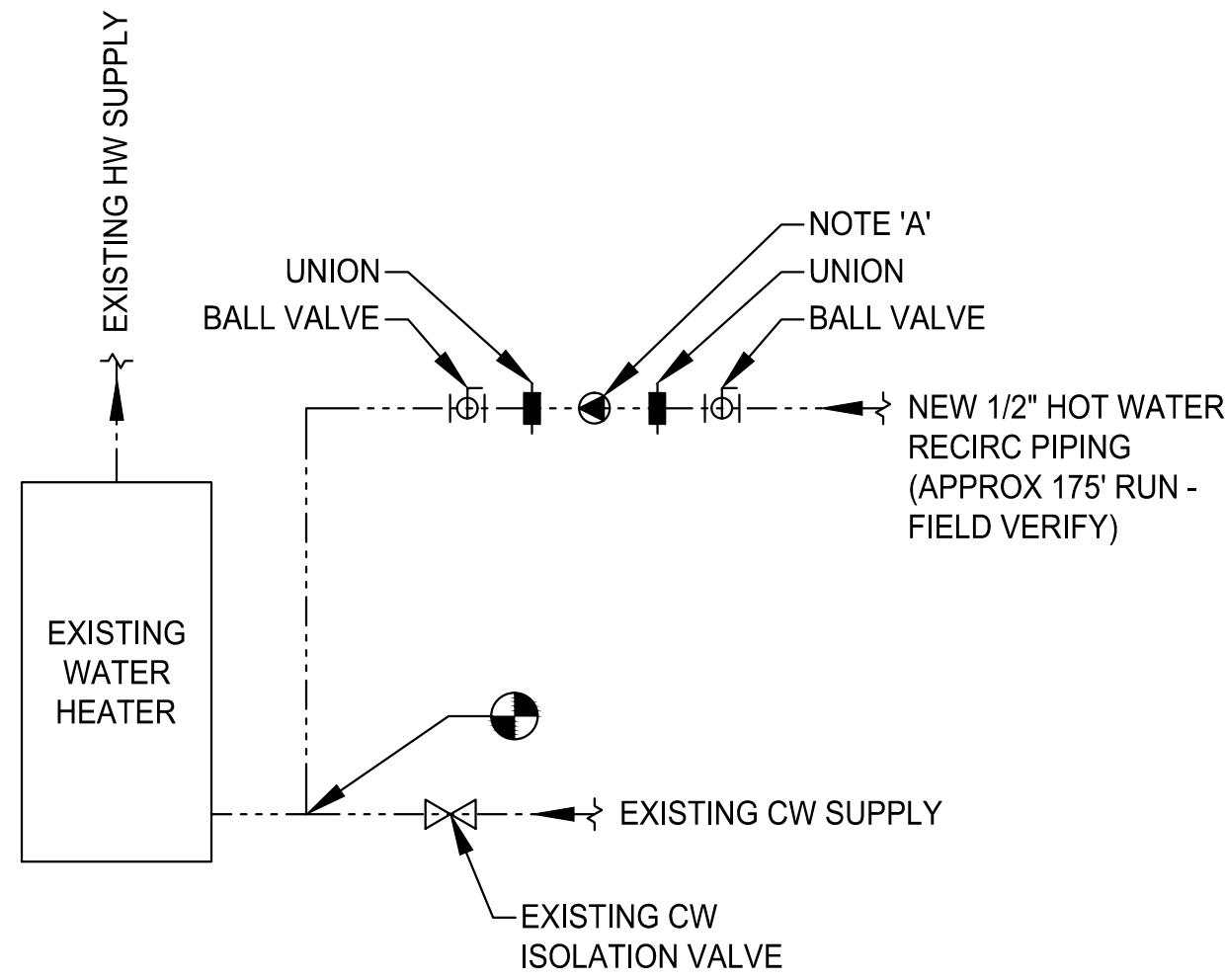
HOT WATER / COLD WATER / HOT WATER RECIRCULATION SCHEMATIC
NOT TO SCALE



HOT WATER / COLD WATER / HOT WATER RECIRCULATION SCHEMATIC
NOT TO SCALE

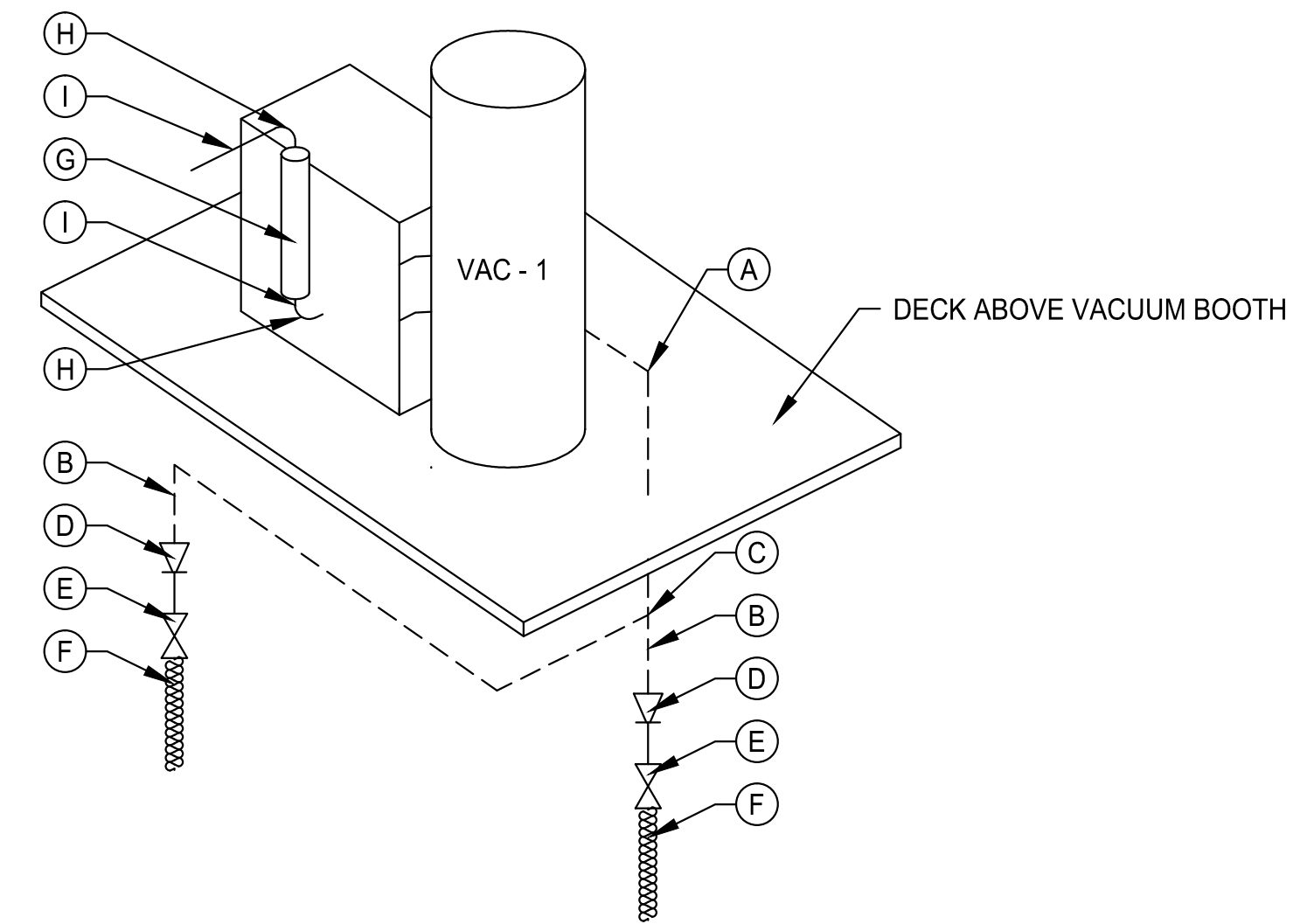


HOT WATER / COLD WATER / HOT WATER RECIRCULATION SCHEMATIC
NOT TO SCALE



HOT WATER / COLD WATER / HOT WATER RECIRCULATION SCHEMATIC
NOT TO SCALE

NOTES:
A. FURNISH AND INSTALL TACO PLUB & PLUG RECIRC. PUMP MODULE 003 - BC4 - 3PNP WITH INTEGRAL FLOW CHECK, ANALOG TIMER AND BRONZE BODY. MOTOR 1/40 HP 120V 1ph. CONFER W/ OWNER FOR OPOR SCHED.



VAC SYSTEM PIPING ISOMETRIC LEGEND

ITEM	DESCRIPTION	SUPPLIED BY	INSTALLED BY
VACUUM	RECEIVER / FILTER MOTOR	VENDOR	CONTRACTOR
A	2.5" DIA TUBING	VENDOR	CONTRACTOR
B	2.125" DIA TUBING	VENDOR	CONTRACTOR
C	2.5" TEE WYE	VENDOR	CONTRACTOR
D	2.125 X 2.5" REDUCER	VENDOR	CONTRACTOR
E	1.5" INLET VALVE	VENDOR	CONTRACTOR
F	1.5" FLEX HOSE	CONTRACTOR	CONTRACTOR
G	MUFFLER	CONTRACTOR	CONTRACTOR
H	2.5" SCH 40 PIPE ELL	CONTRACTOR	CONTRACTOR
I	2.5" SCH 40 PIPE	CONTRACTOR	CONTRACTOR

VACUUM SYSTEM PIPING ISOMETRIC
NOT TO SCALE

NOTES:
1. ASSUME PRESSURE: 45 PSI
2. MAX CW VEL: 8 FPS
3. MAX HW VEL: 5FPS

Optimized Design, Inc. P.C.
Mechanical / HVAC

ecomaine
LOCKER ROOM RENOVATION
PORTLAND
MAINE

SIGNED COPY OF DRAWING
ON FILE AT DIRIGO A/E
OFFICE

HW CW HWR SCHIMATICS

REV.	DATE	DESCRIPTION	CHECKED BY: RHB
1	1/18/16	ISSUED FOR CONSTRUCTION	
2	6/7/16	ISSUED FOR ST. CL	
3			

PH: (207) 225 - 3040
1071 Auburn Road
Suite G
Turner, ME 04282

DIRIGO
ARCHITECTURAL
ENGINEERING • CONSTRUCTION MANAGEMENT
EM: tperk@dirigoae.com W: www.dirigoae.com

DATE: 6/1/16

PROJECT NO. 15-015

SHEET NO.

P3.1