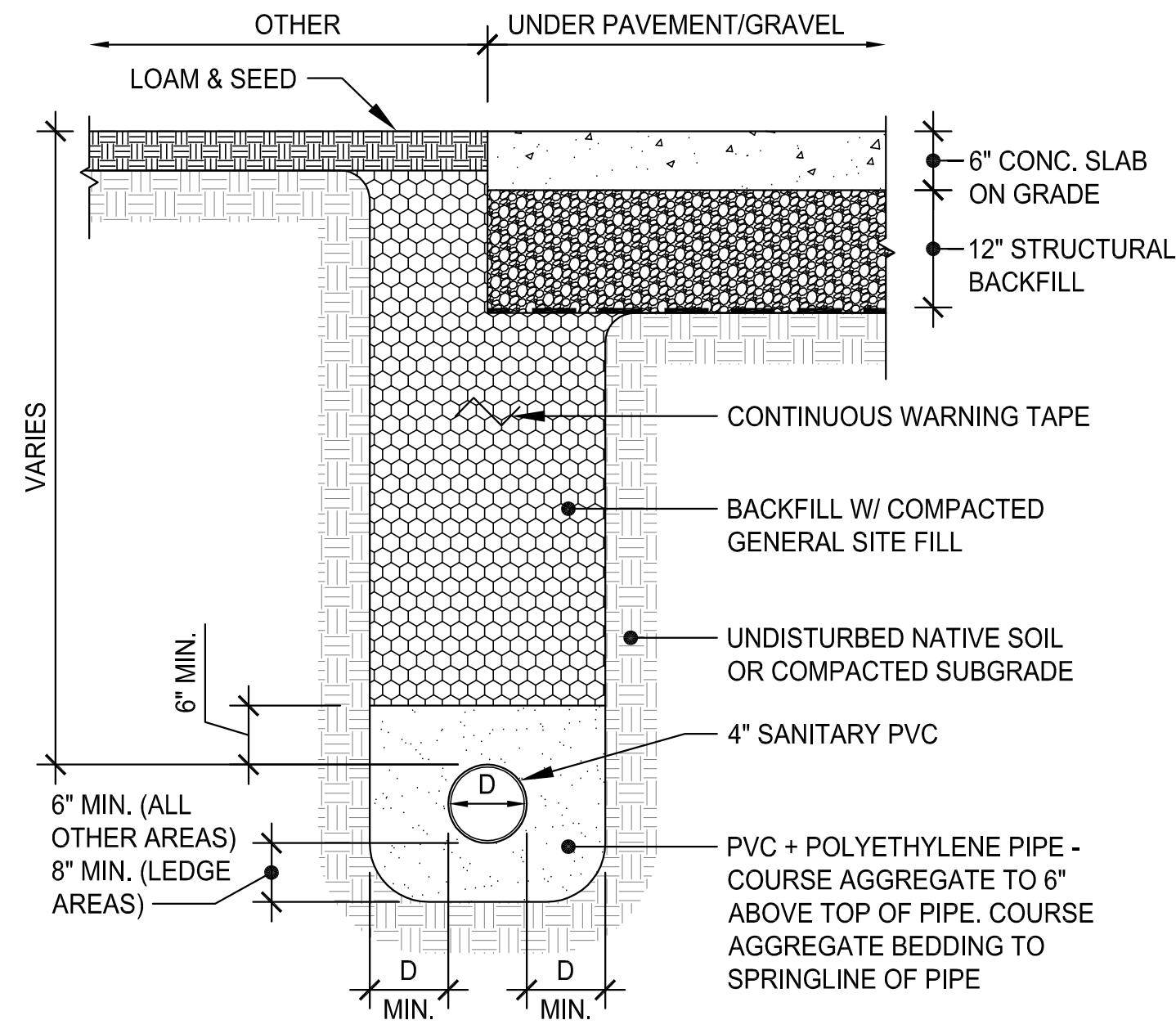
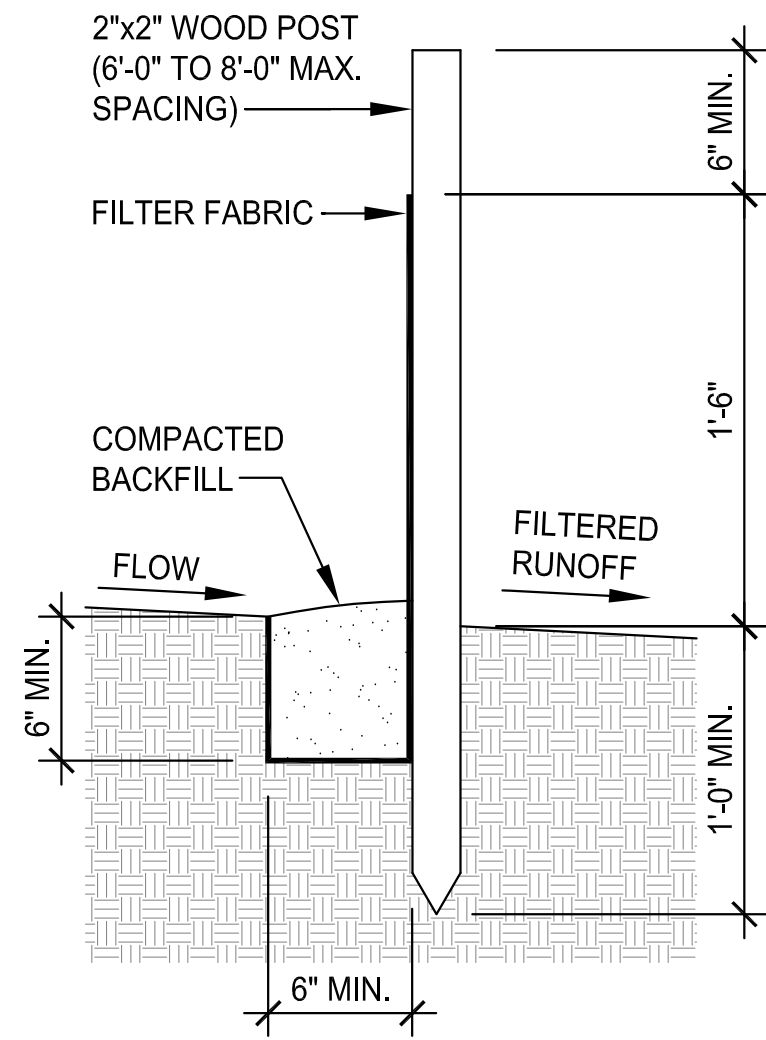


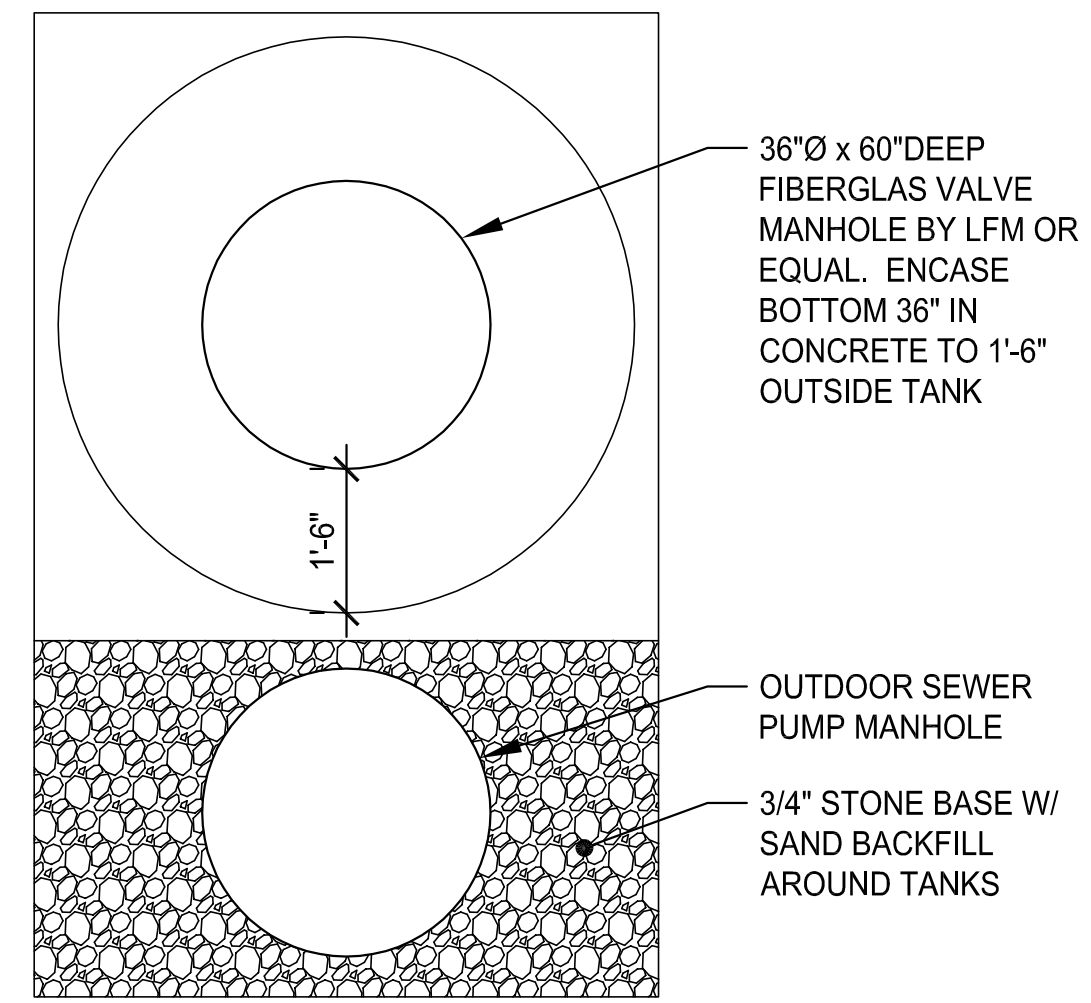
COPYRIGHT 2016 © DIRIGO ARCHITECTURAL ENGINEERING LLC. ALL RIGHTS RESERVED. NO REPRODUCTION WITHOUT PRIOR WRITTEN PERMISSION



PROPOSED SANITARY TRENCH ①
 22X34 SCALE: 3/4"=1'-0"
 11X17 SCALE: 3/8"=1'-0"
 C3.1



SILT FENCE DETAIL ②
 22X34 SCALE: 1 1/2"=1'-0"
 11X17 SCALE: 3/4"=1'-0"
 C3.1



MANHOLE PLAN ③
 22X34 SCALE: 1/2"=1'-0"
 11X17 SCALE: 1/4"=1'-0"
 C3.1

ecomaine
LOCKER ROOM RENOVATION
 PORTLAND
 MAINE

SIGNED COPY OF DRAWING ON FILE AT DIRIGO A/E OFFICE

DETAILS

REV.	DATE	DESCRIPTION

DRAWN BY: CGB CHECKED BY: TWP

PH: (207) 225 - 3040
 1071 Auburn Road
 Suite G
 Turner, ME 04282


DIRIGO ARCHITECTURAL
 ENGINEERING • CONSTRUCTION MANAGEMENT
 EM: tperkins@dirigoae.com W: www.dirigoae.com

DATE: 1/13/16

PROJECT NO. 15-015

SHEET NO.
C3.1