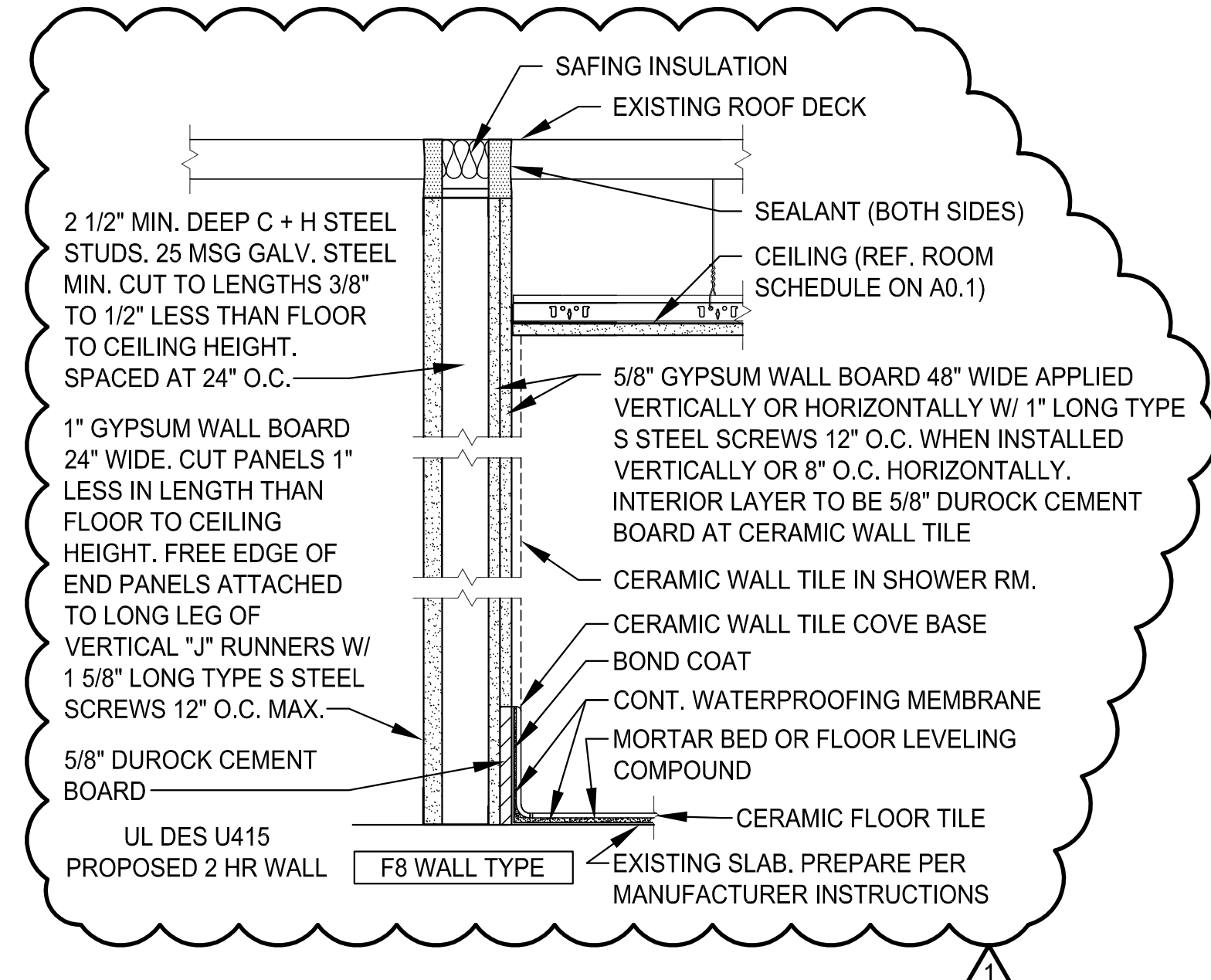
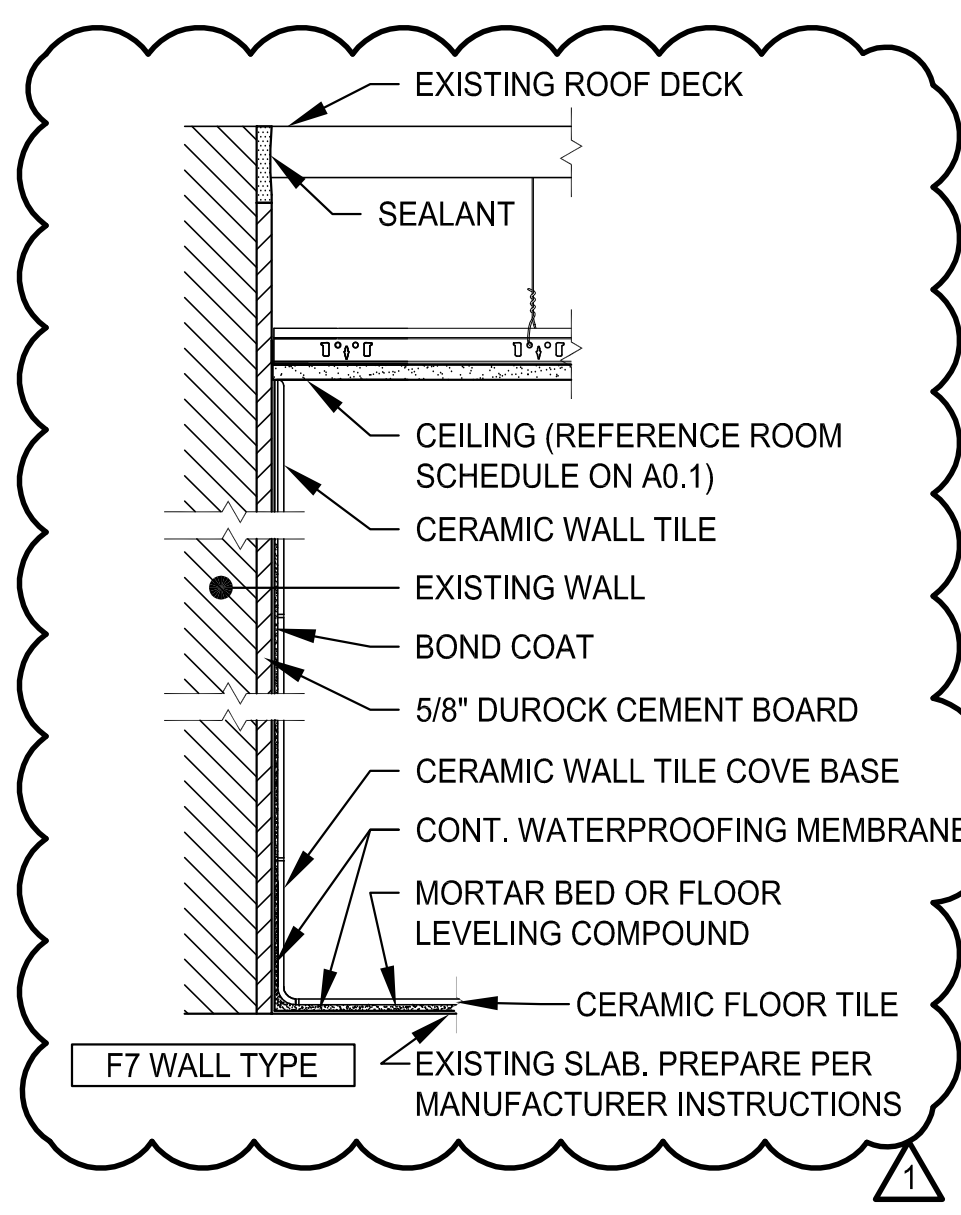
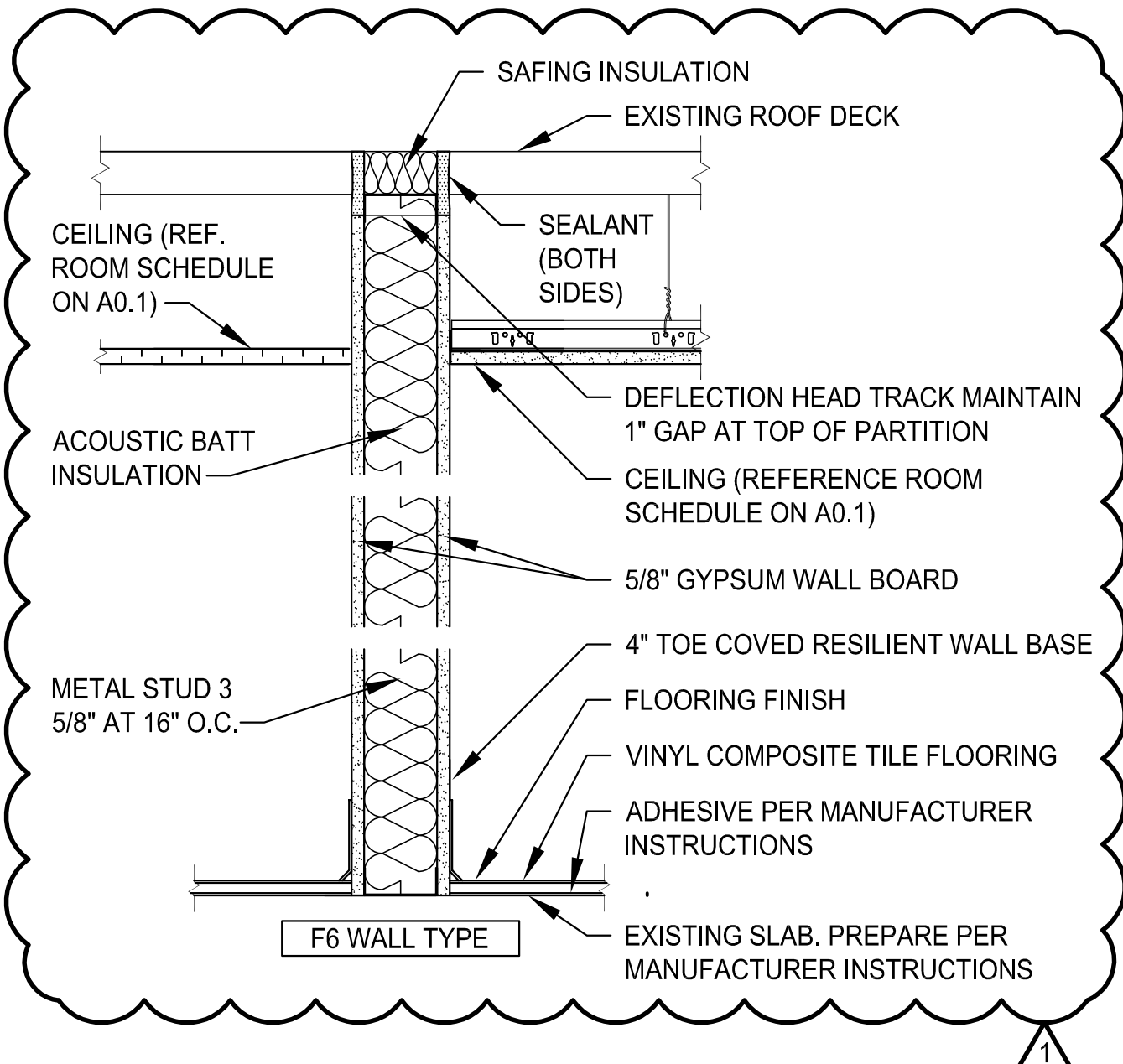
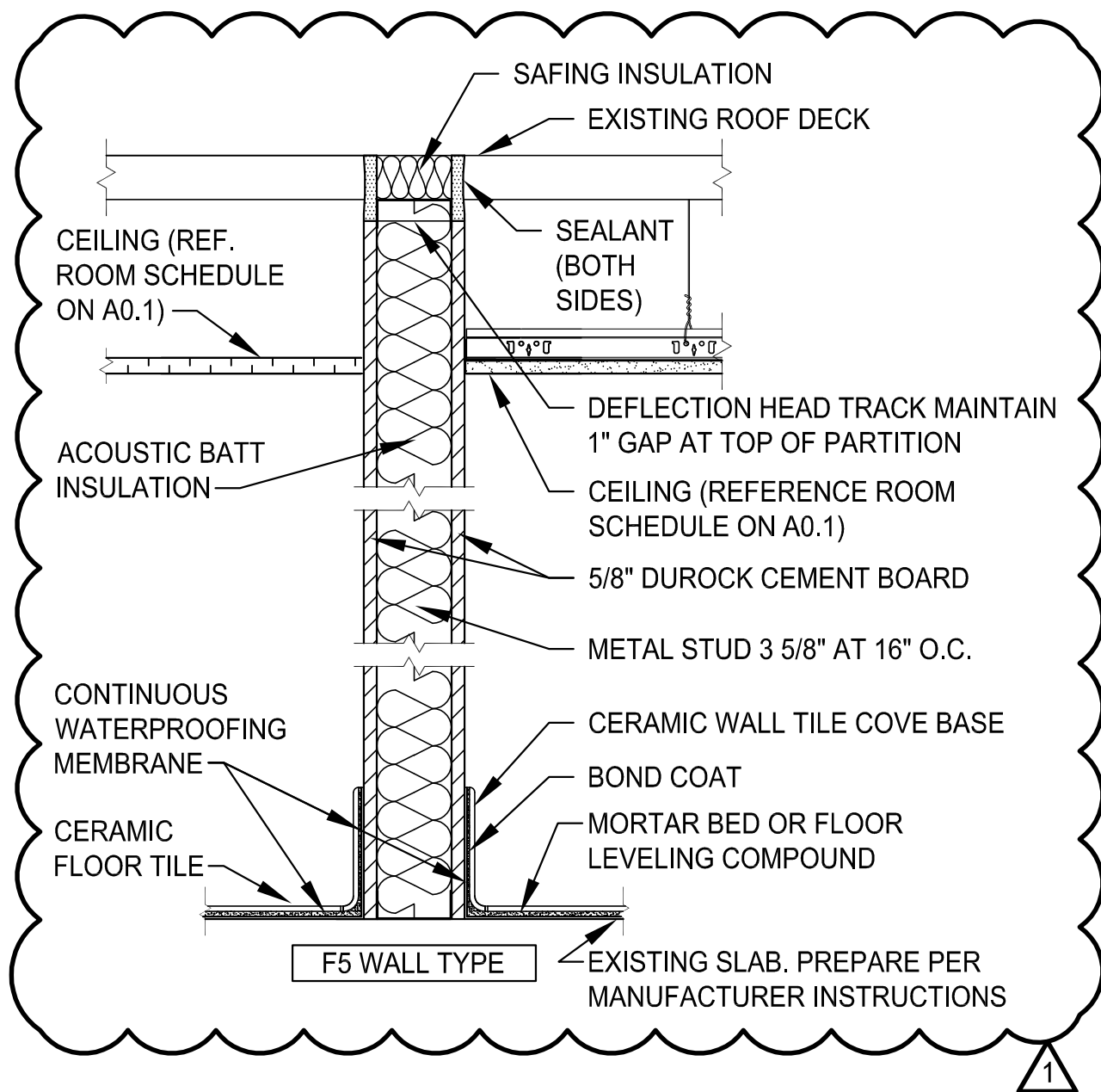
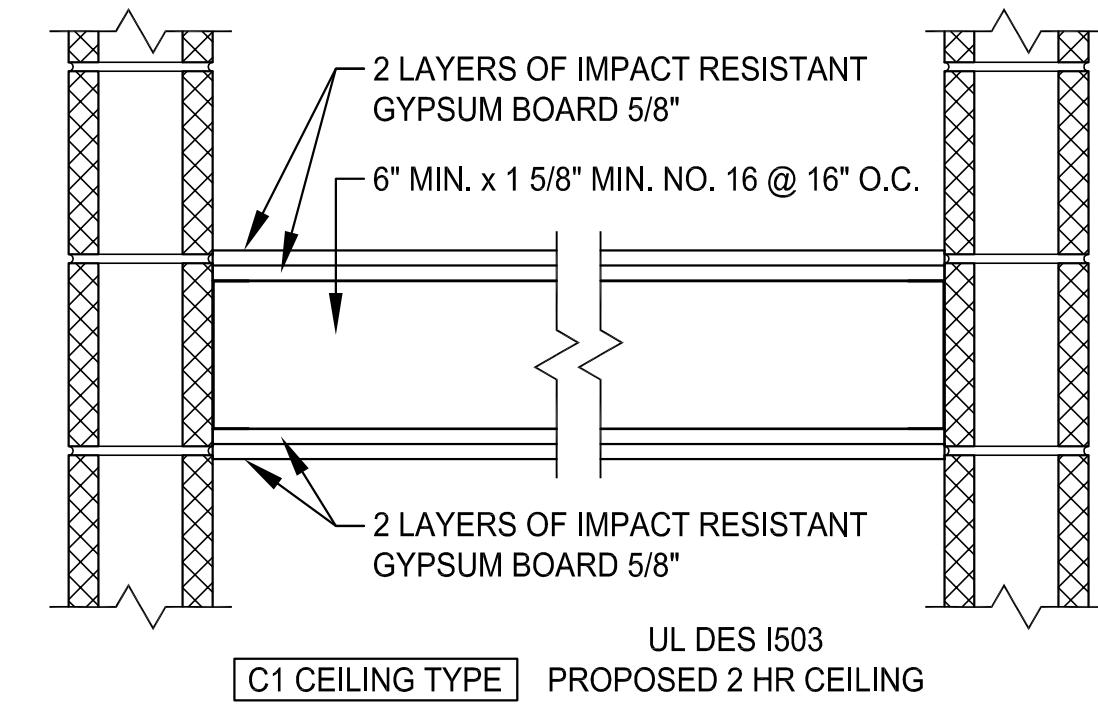
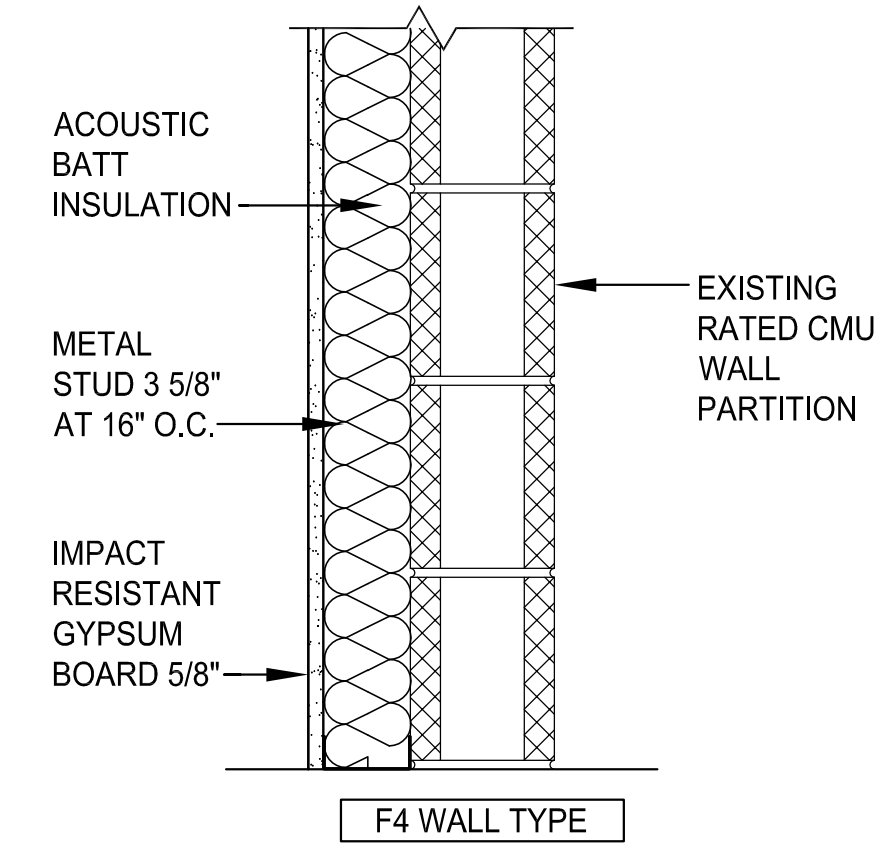
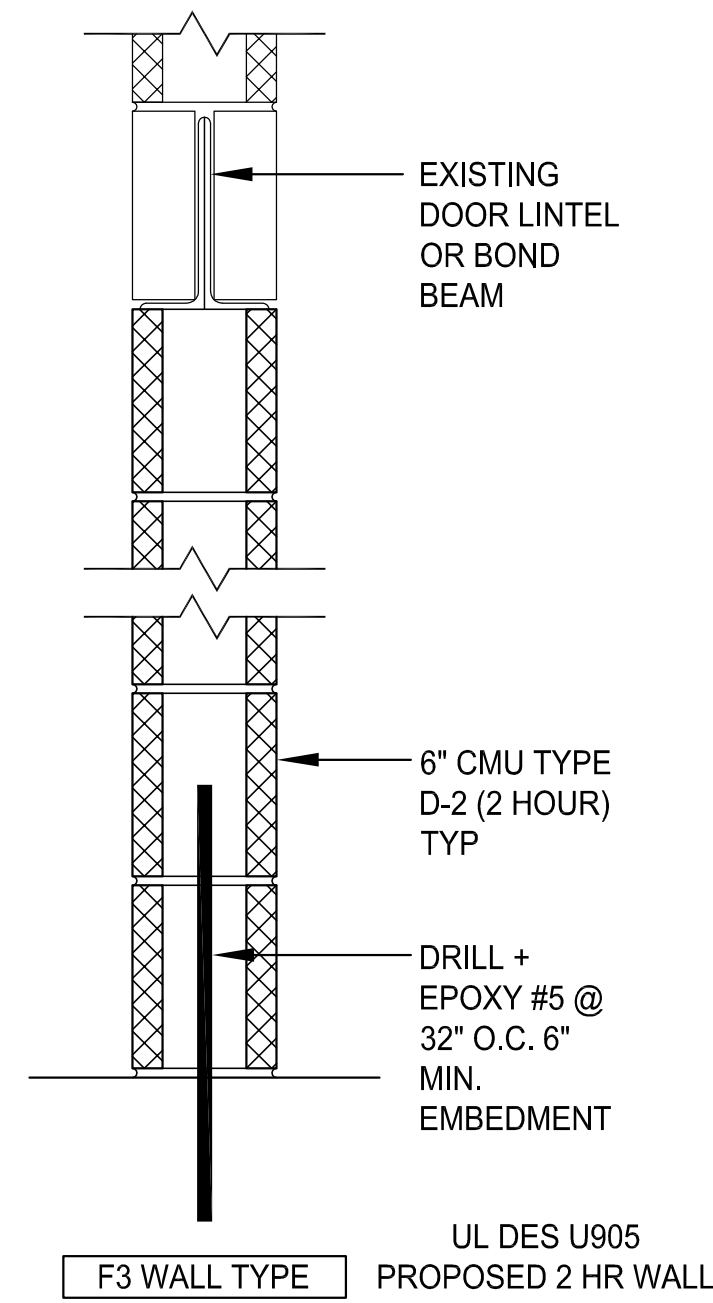
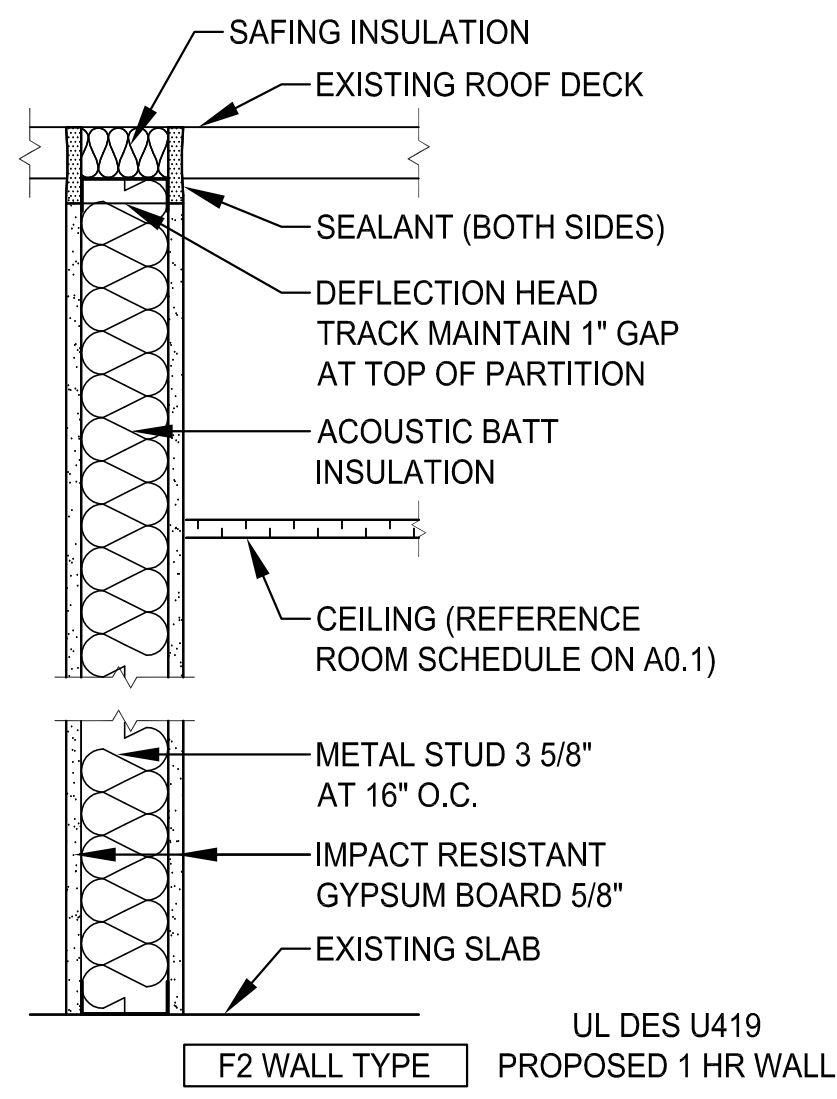
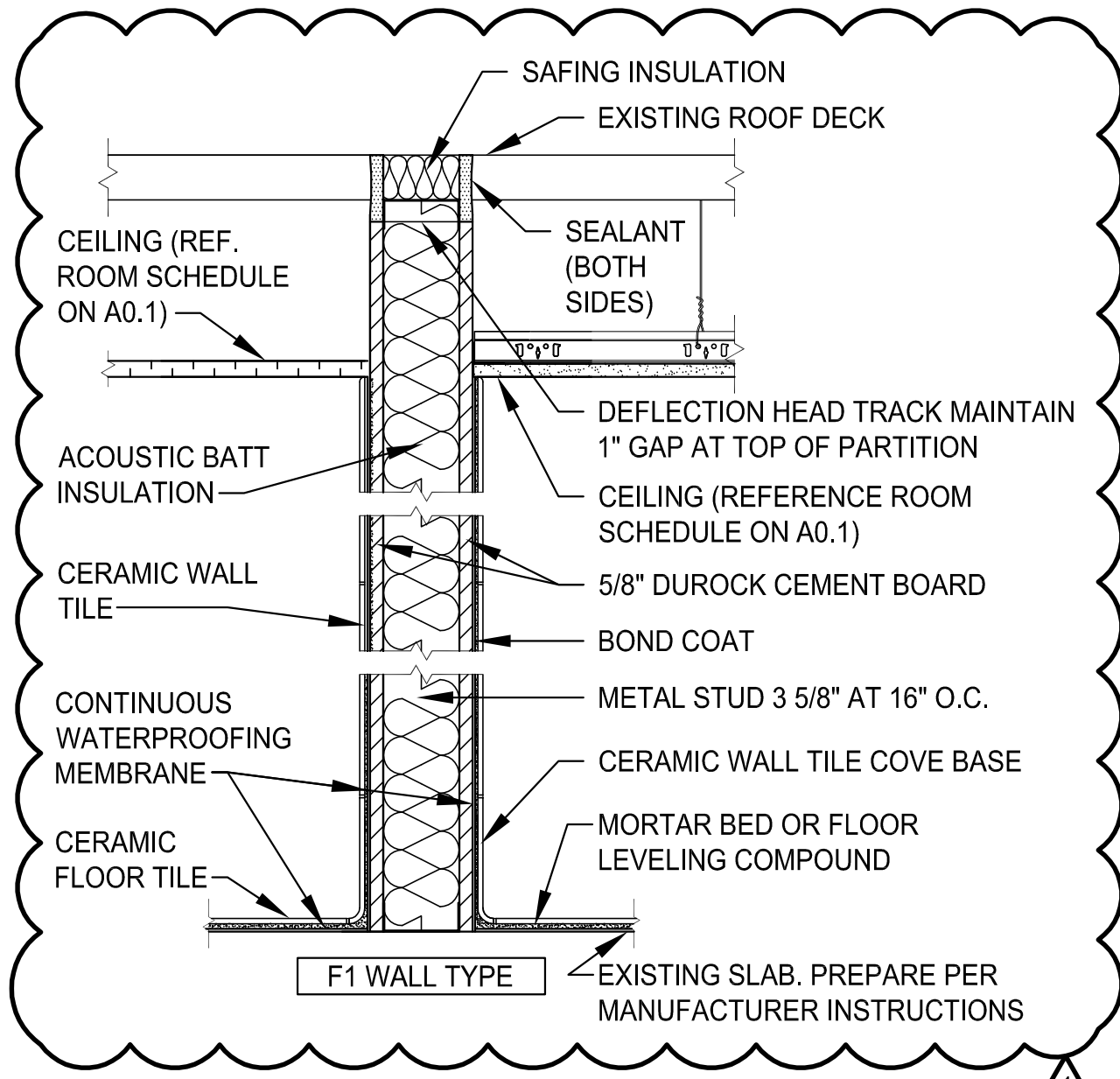


COPYRIGHT 2016 © DIRIGO ARCHITECTURAL ENGINEERING LLC. ALL RIGHTS RESERVED. NO REPRODUCTION WITHOUT PRIOR WRITTEN PERMISSION



**ecomaine**  
**LOCKER ROOM RENOVATION**  
**PORTLAND MAINE**

SIGNED COPY OF DRAWING ON FILE AT DIRIGO A/E OFFICE

**CEILING + WALL TYPES**

REV.	DATE	DESCRIPTION	CHECKED BY:
1	6/1/16	ISSUED FOR SET #1	TWP

DRAWN BY: CGB

PH: (207) 225 - 3040  
 1071 Auburn Road  
 Suite G  
 Turner, ME 04282

**DIRIGO**  
**ARCHITECTURAL**  
 ENGINEERING & CONSTRUCTION MANAGEMENT  
 EMail: tperkins@dirigoae.com W: www.dirigoae.com