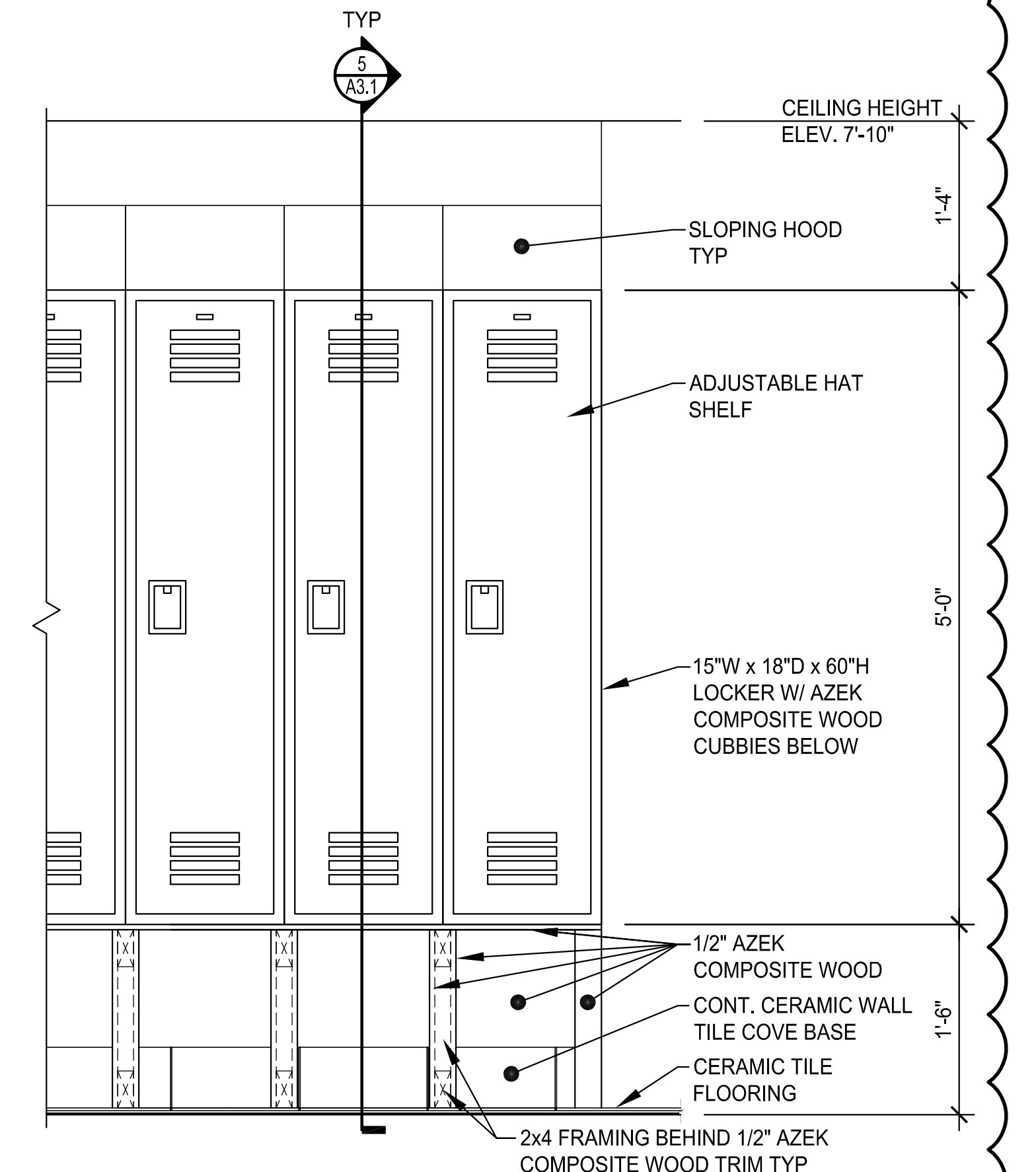
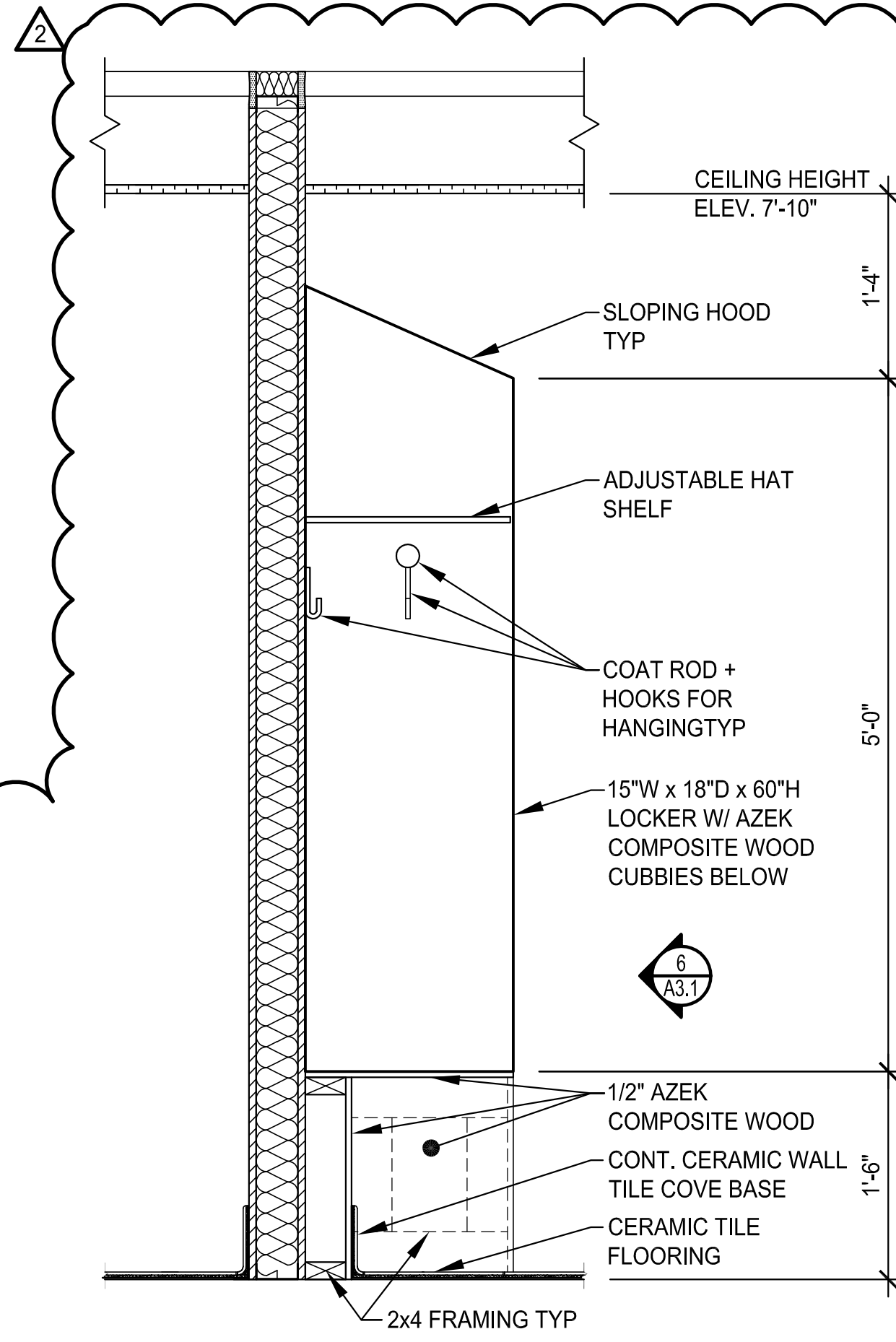
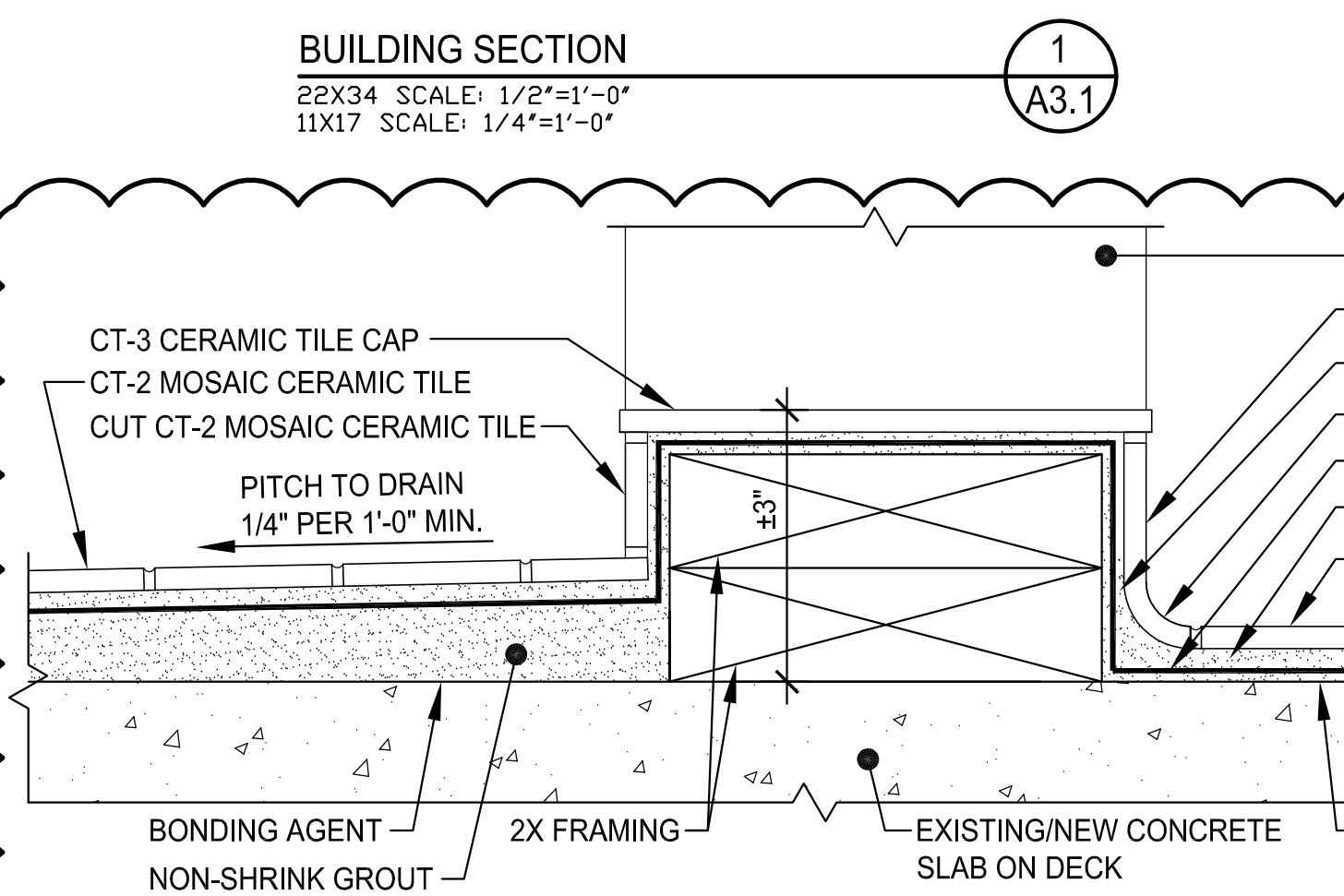
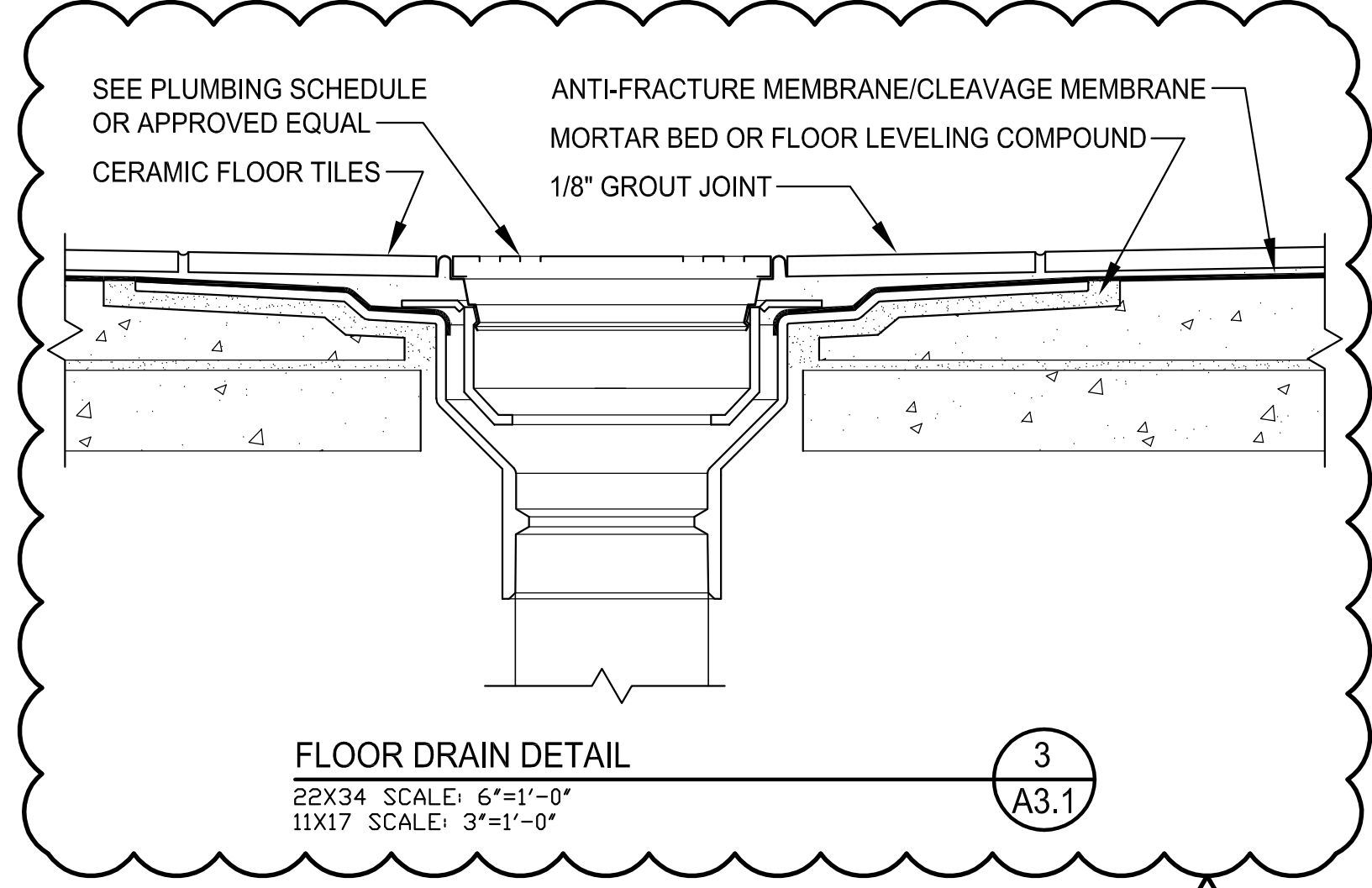
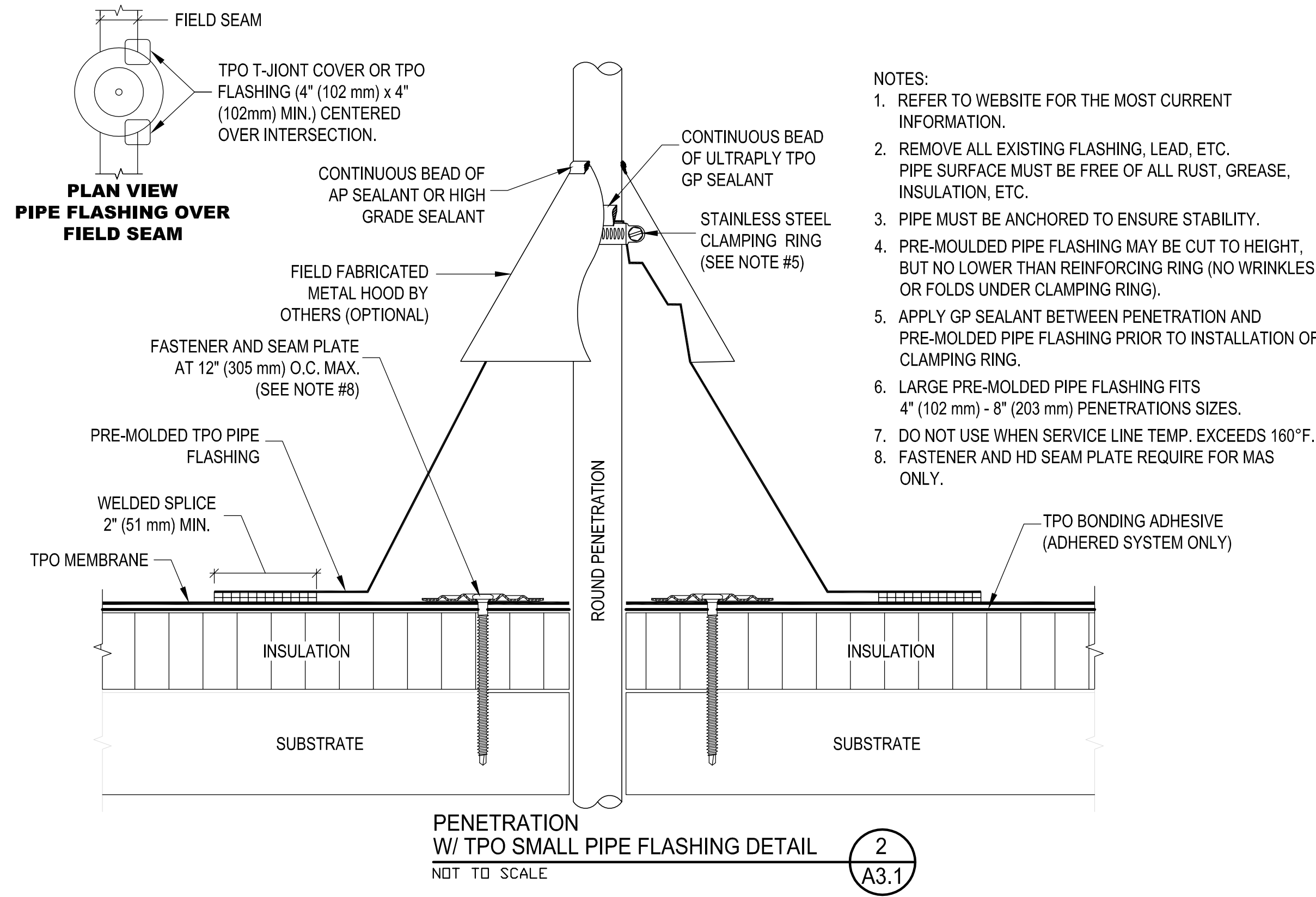
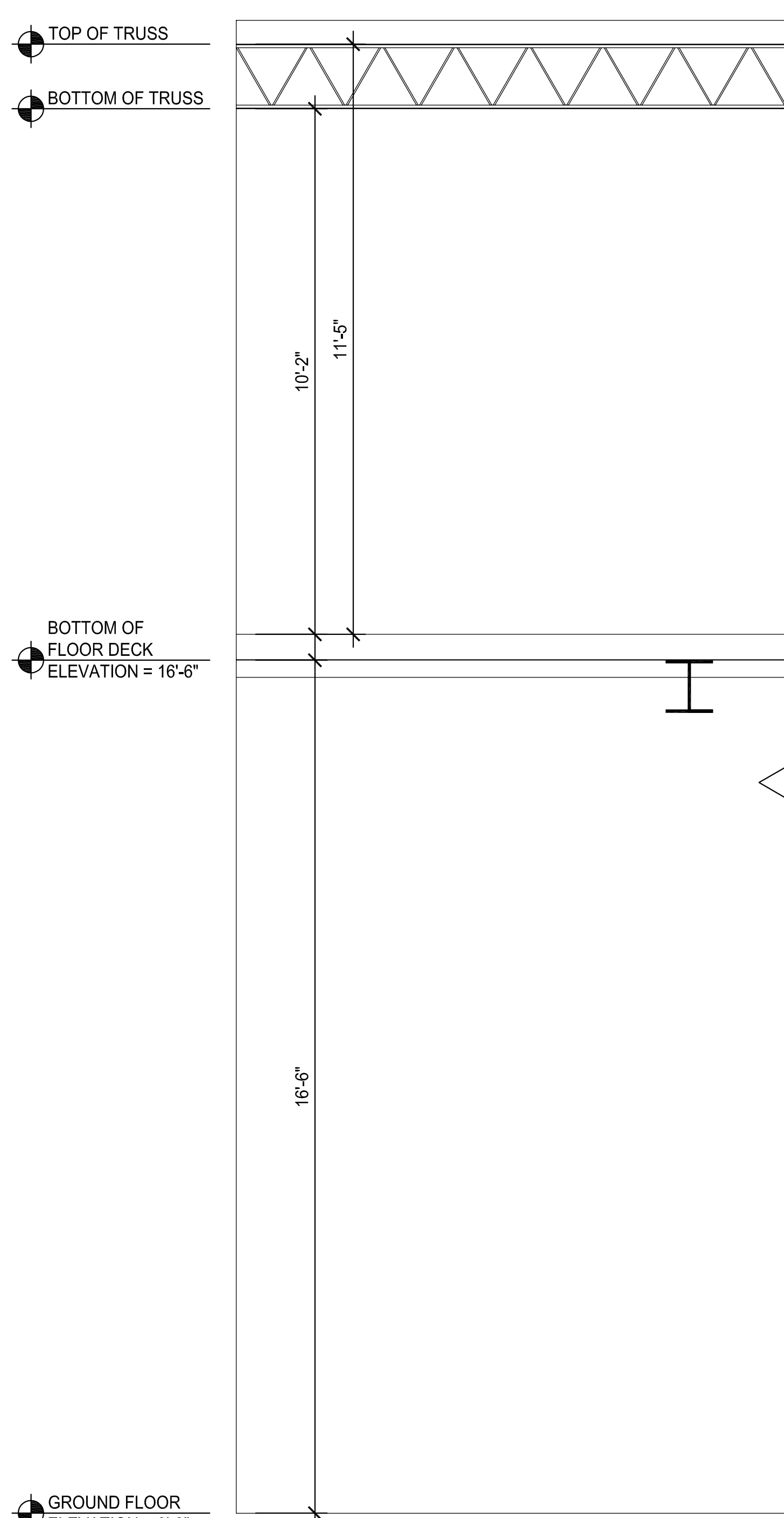


COPYRIGHT 2016 © DIRIGO ARCHITECTURAL ENGINEERING LLC. ALL RIGHTS RESERVED. NO REPRODUCTION WITHOUT PRIOR WRITTEN PERMISSION



ecomaine
LOCKER ROOM RENOVATION
PORTLAND
MAINE

SIGNED COPY OF DRAWING ON FILE AT DIRIGO A/E OFFICE

STATE OF MAINE
THOMAS W. PERKINS
No. 11710
LICENSED PROFESSIONAL ENGINEER
6/1/16

BUILDING SECTION + DETAILS

REV.	DATE	DESCRIPTION	ISSUED FOR CONSTRUCTION	ISSUED FOR SET #1	CHECKED BY: TWP
1	1/18/16				
2	6/1/16				
3					

PH: (207) 225 - 3040
1071 Auburn Road
Suite G
Turner, ME 04282

DIRIGO ARCHITECTURAL
ENGINEERING + CONSTRUCTION MANAGEMENT
EM: tperkins@dirigoae.com W: www.dirigoae.com

DATE: 6/1/16
PROJECT NO. 15-015
SHEET NO.

A3.1