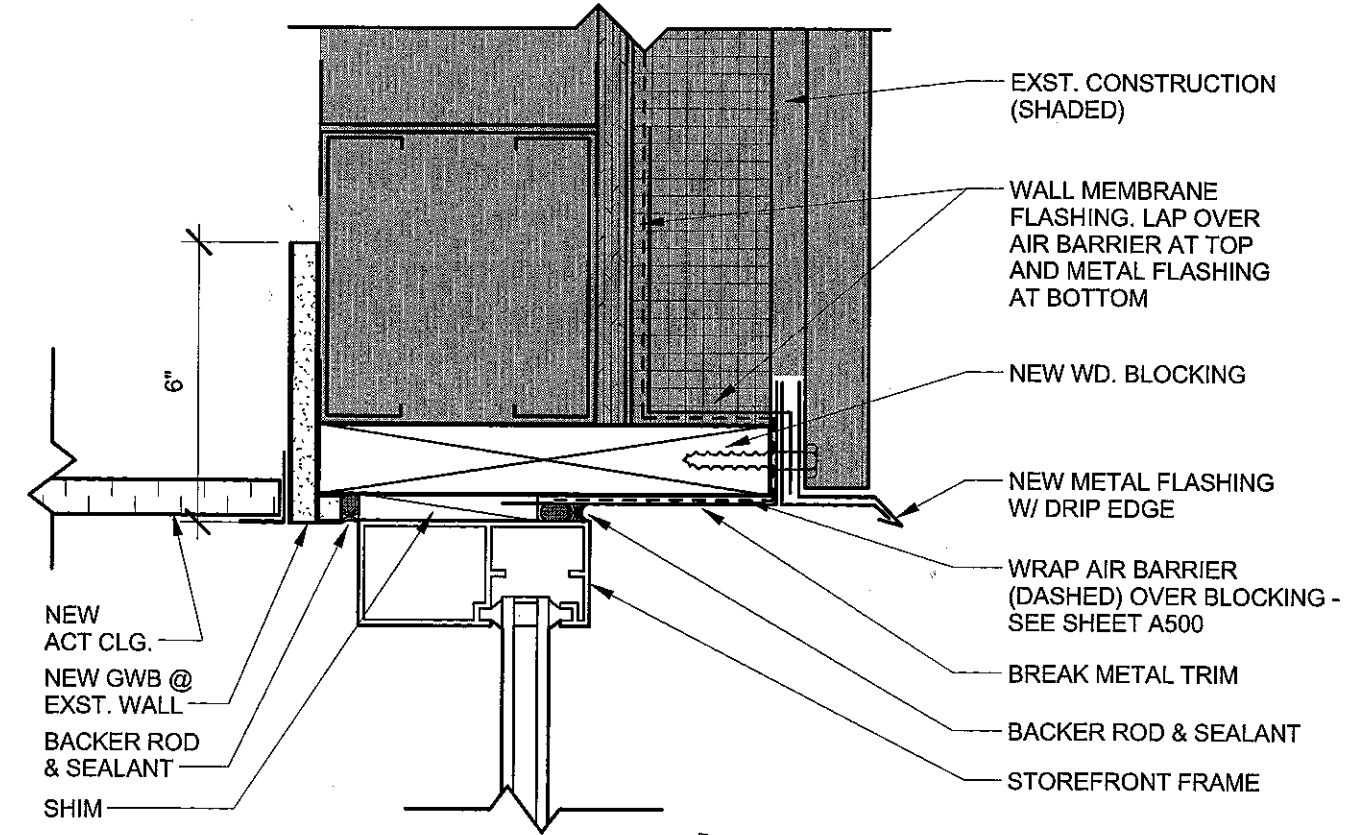
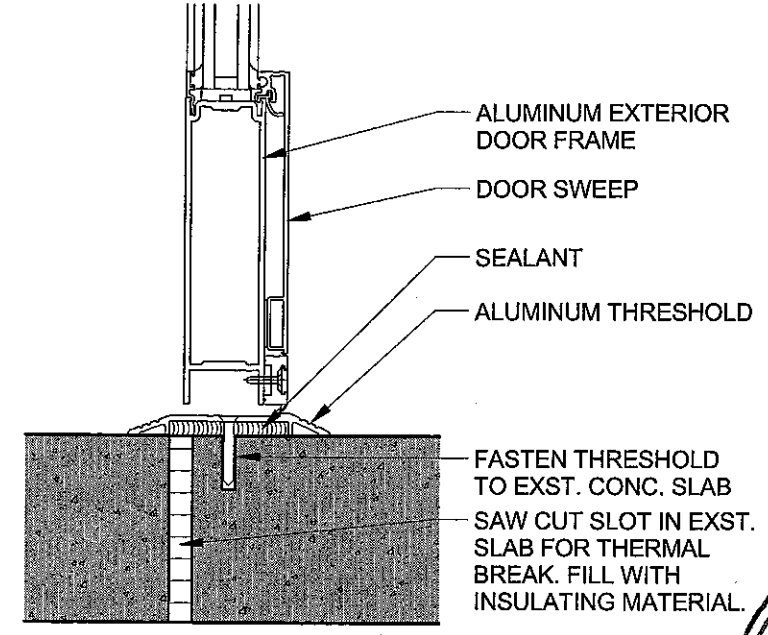


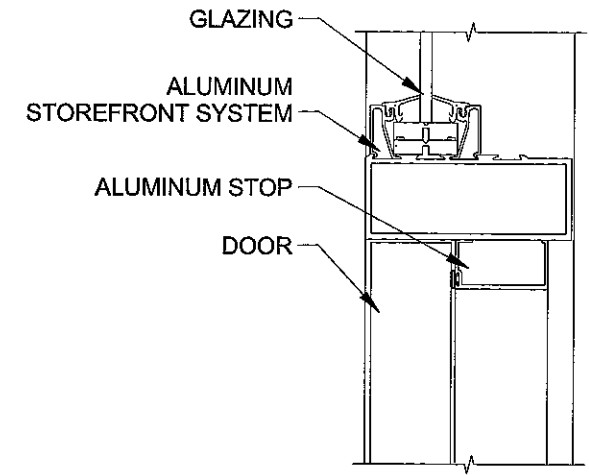
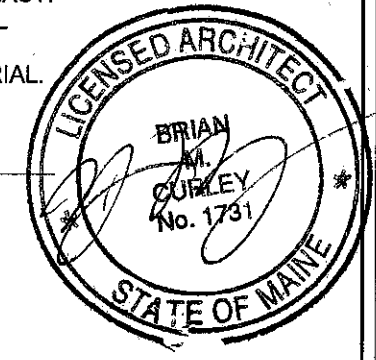
④ JAMB DETAIL - EXTERIOR STOREFRONT
3" = 1'-0"



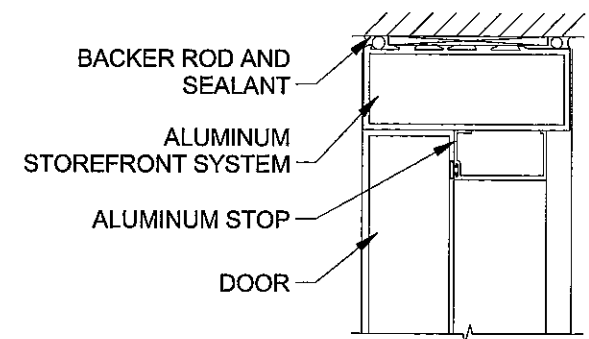
② HEAD DETAIL - EXTERIOR STOREFRONT
3" = 1'-0"



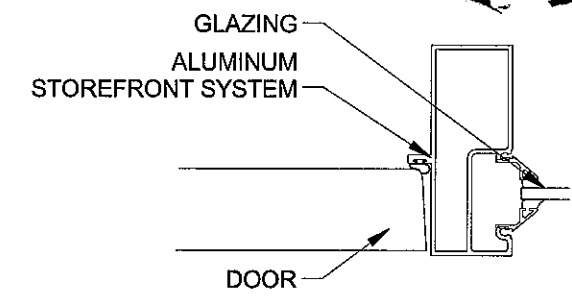
③ SILL DETAIL -
3" = 1'-0"



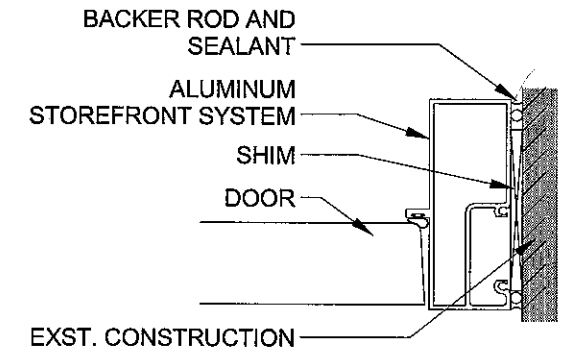
DOOR HEAD / TRANSOM



HEAD



DOOR JAMB / SIDELIGHT



JAMB

① INTERIOR STOREFRONT JAMB AND HEAD DETAILS
3" = 1'-0"

Ecomaine - Renovation of Office/Break Area
64 Blueberry Road, Portland, ME 04102

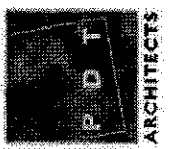
SHEET
A601

JOB # 12122
DATE 05/08/13
SCALE 3" = 1'-0"

TITLE
STOREFRONT DETAILS

© 2012 PDT Architects

ARCHITECTURE
INTERIOR DESIGN
PLANNING



49 DARTMOUTH STREET
PORTLAND, MAINE 04101
www.pdtarchts.com