

SYMBOLS

Room name
101

ROOM NUMBER
101

DOOR NUMBER
101

WINDOW TYPE; LETTER DESIGNATES EXTERIOR
1t

BORROWED LITE TYPES; DESIGNATED BY NUMBER
1t

BUILDING SECTION
1 A101

WALL SECTION
1 A101

DETAIL REFERENCE
1 A101

WALL OR ROOF TYPE
1i

ELEVATION REFERENCE
Ref 1 A101 Ref

VERTICAL ELEVATION
Name Elevation

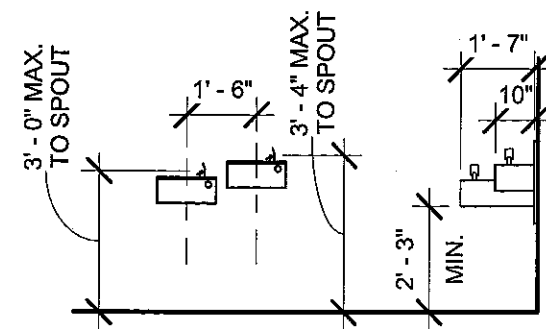
MATERIALS

- GRAVEL
- CONCRETE MASONRY UNIT
- BRICK
- CONCRETE
- SOIL
- STEEL
- WOOD FRAMING
- WOOD BLOCKING
- PLYWOOD
- GYPSUM BOARD
- BATT INSULATION
- RIGID INSULATION
- EXPANSION MATERIAL
- FINISH WOOD

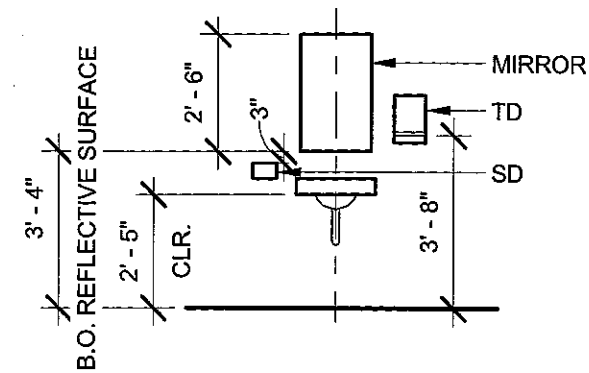
FIRE RATINGS

- SMOKE PARTITION
- 1 HOUR FIRE RATED PARTITION
- 2 HOUR FIRE RATED PARTITION

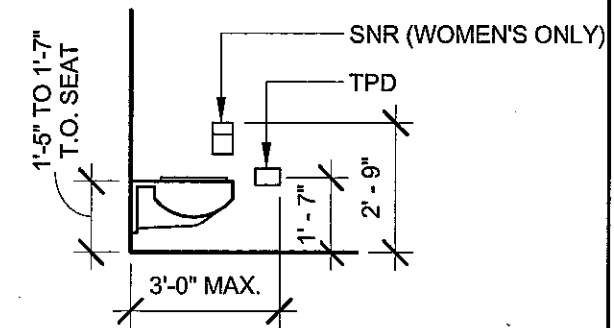
TYPICAL BARRIER FREE BI-LEVEL DRINKING FOUNTAIN



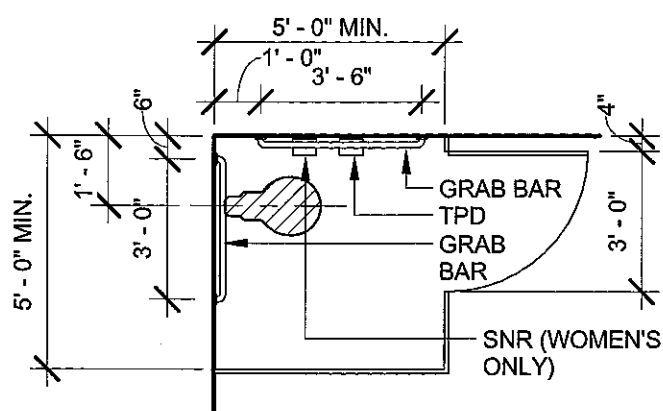
TYPICAL BARRIER FREE LAVATORY ASSEMBLY ELEVATION



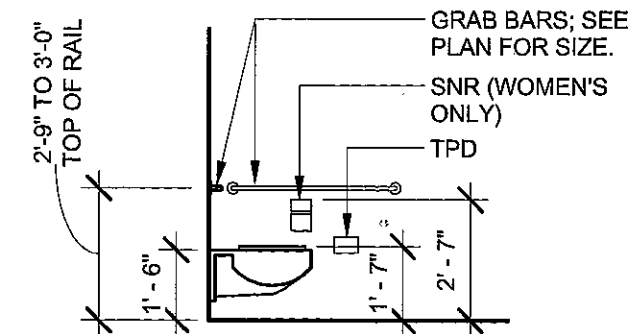
TYPICAL STANDARD WATER CLOSET ASSEMBLY ELEVATION



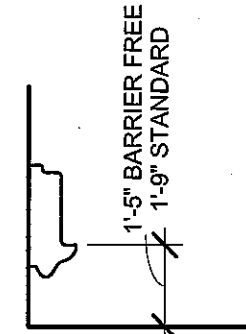
TYPICAL BARRIER FREE SINGLE TOILET STALL PLAN



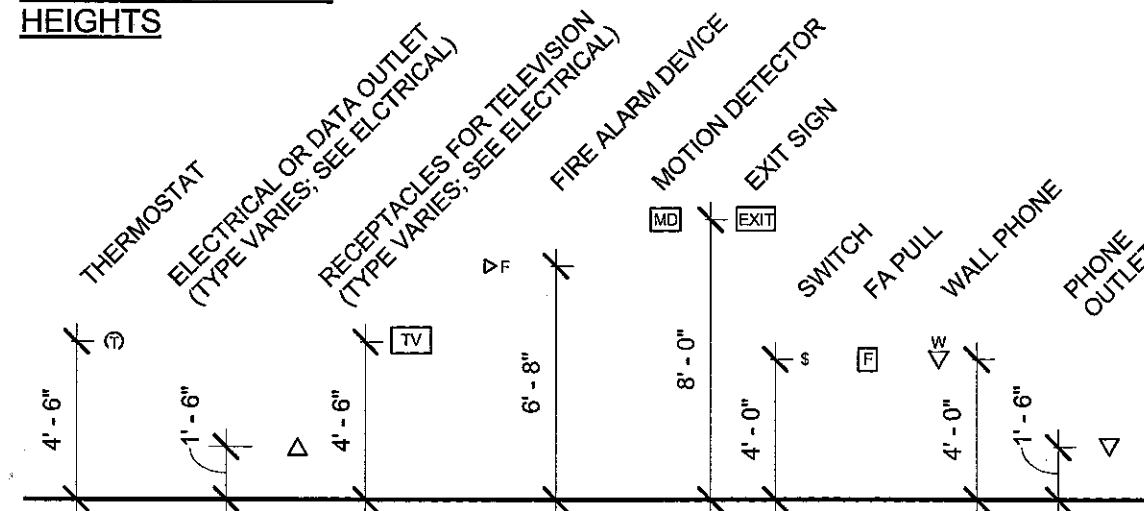
TYPICAL BARRIER FREE WATER CLOSET ASSEMBLY ELEVATION



TYPICAL STANDARD & BARRIER FREE URINAL ELEVATION



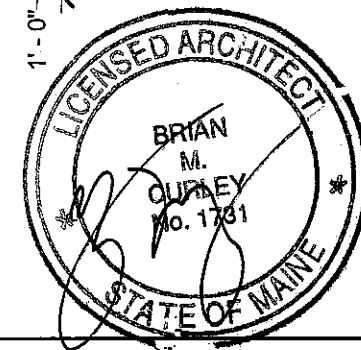
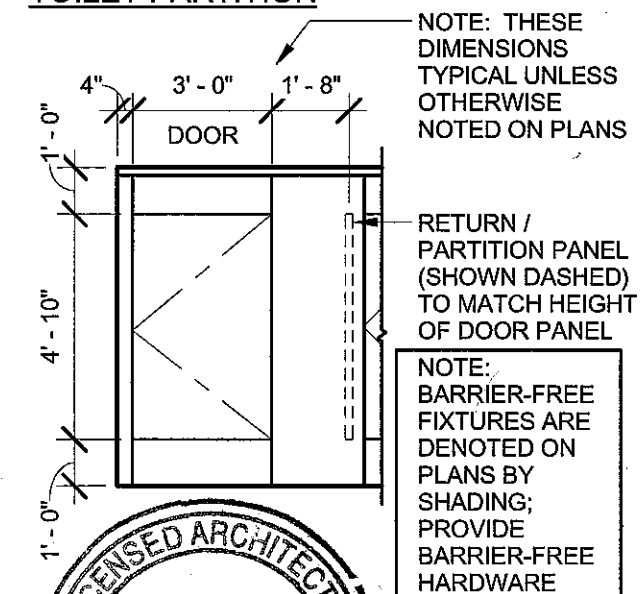
TYPICAL MOUNTING HEIGHTS



MOUNTING HEIGHT GENERAL NOTES:

- COORDINATE LOCATION OF ALL RECEPTACLES, FIXTURES OR DEVICES WITH INTERIOR ELEVATIONS AND CASEWORK LOCATIONS.
- REFER TO MANUFACTURER'S INSTRUCTIONS FOR SPECIFIC ADA REQUIRED MOUNTING HEIGHTS AS APPLICABLE.

TYPICAL BARRIER FREE TOILET PARTITION



Ecomaine - Renovation of Office/Break Area
64 Blueberry Road, Portland, ME 04102

SHEET
A004

JOB # 12122
DATE 05/06/13
SCALE As Indicated

TITLE
SYMBOLS LEGEND, STANDARD
DETAILS

© 2012 PDT Architects

ARCHITECTURE
INTERIOR DESIGN
PLANNING
49 DARTMOUTH STREET
PORTLAND, MAINE 04101
www.pdtarch.com

