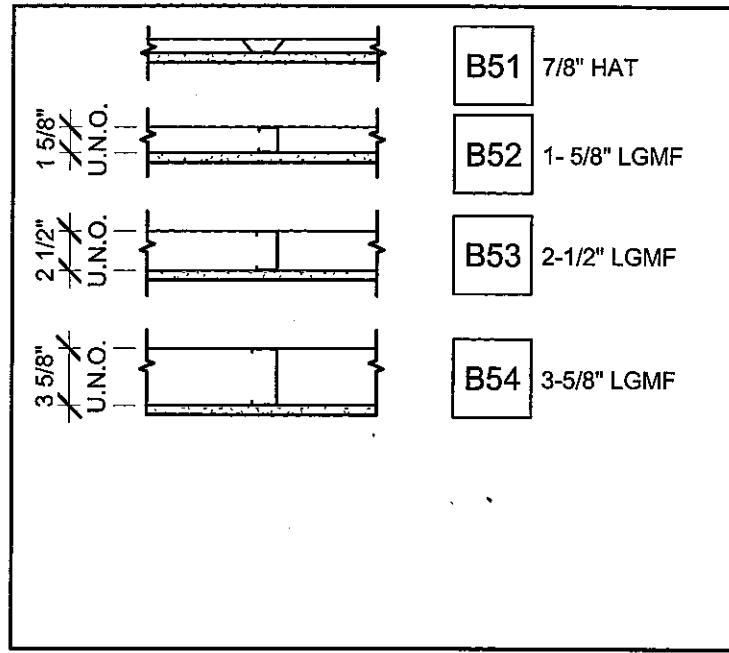
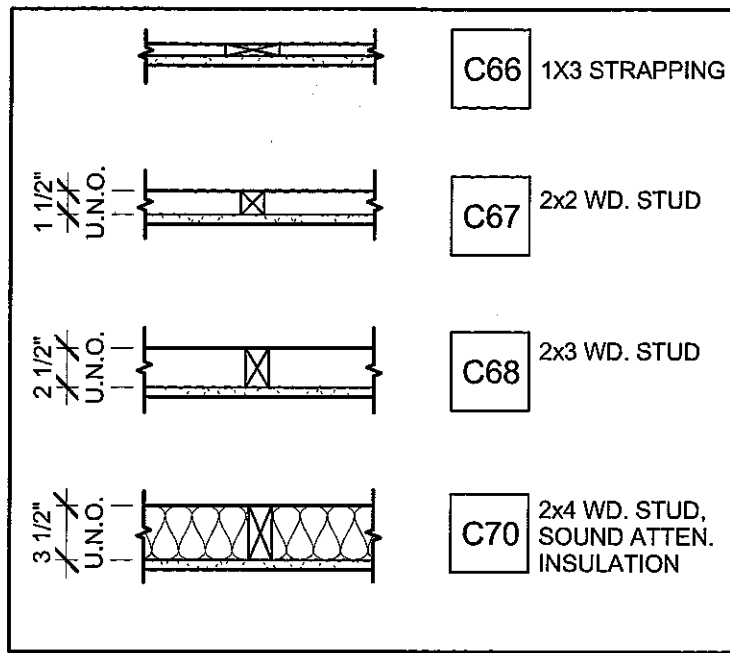


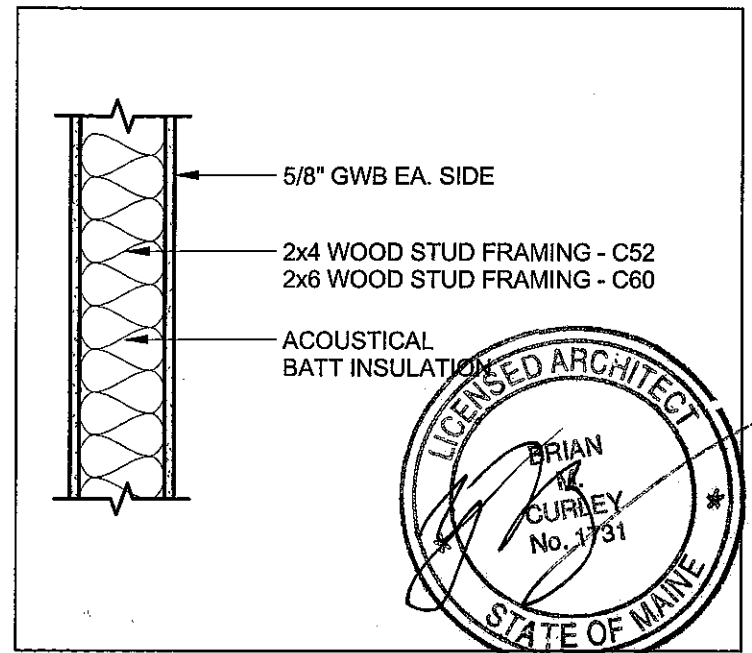
WALL TYPES



METAL STUD FURRING
 EXTEND GWB 3" ABOVE
 FIN. CLG. U.N.O.

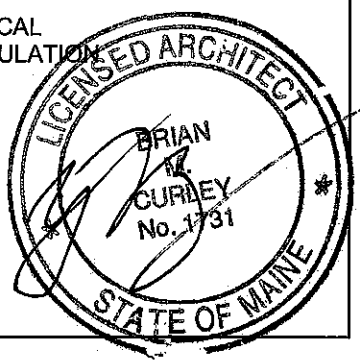


WD. STUD FURRING,
 EXTEND GWB 3" ABOVE
 FIN. CLG. U.N.O.

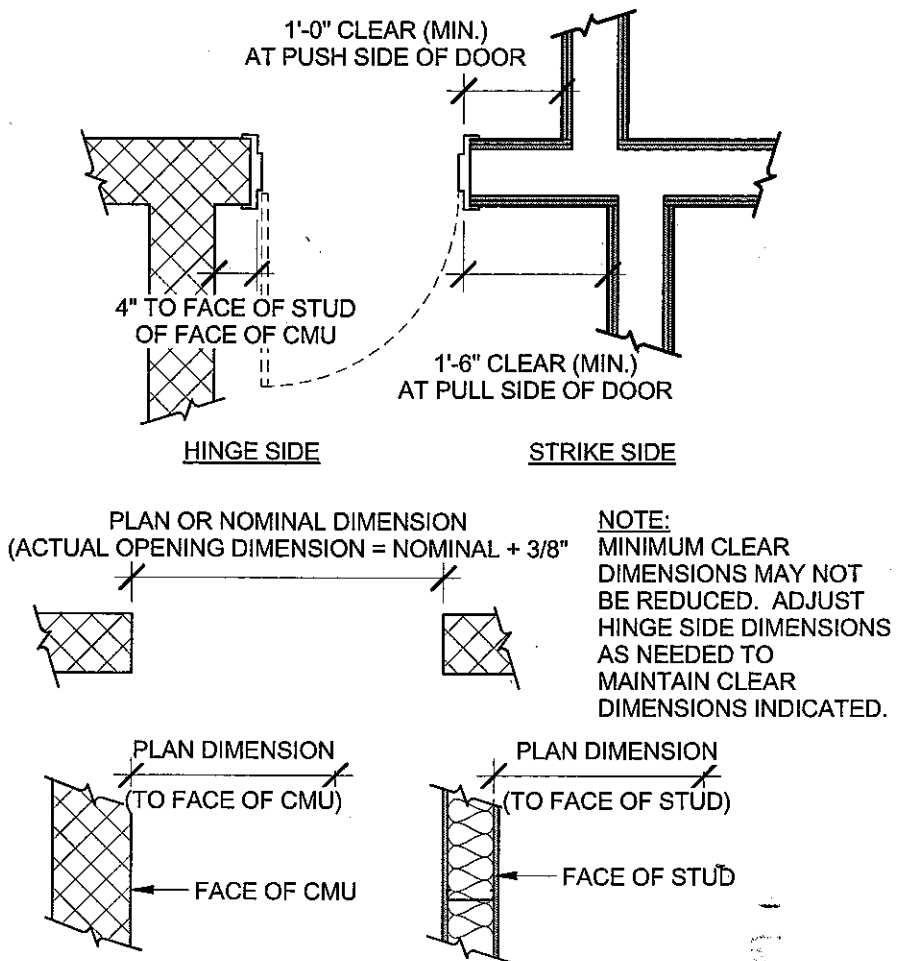


WOOD STUD PARTITION
 FULL HEIGHT

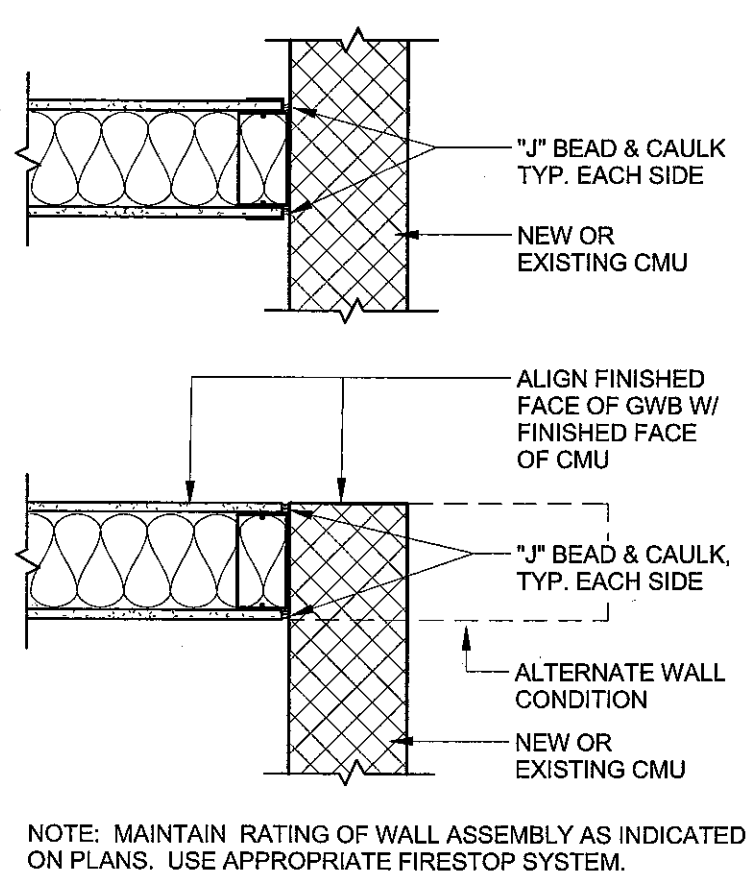
C52 **C60**



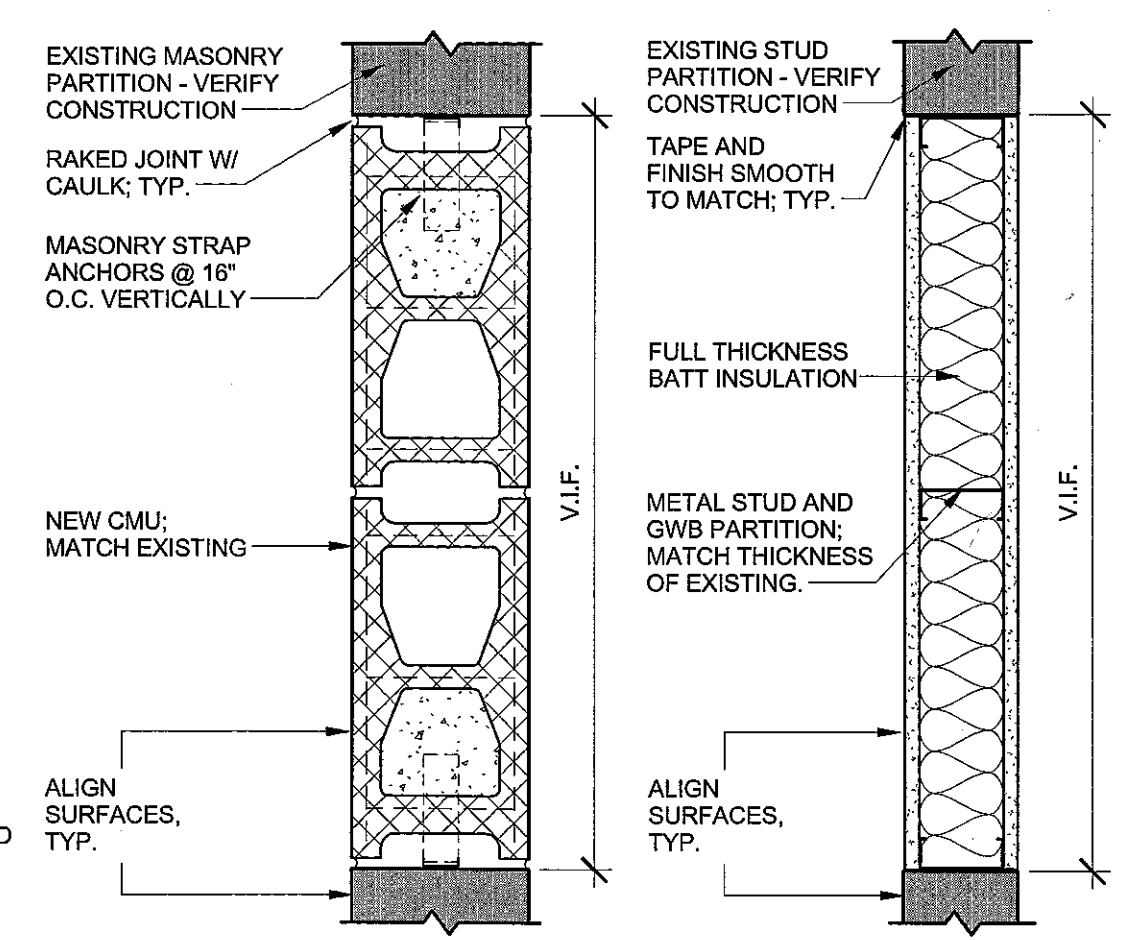
DIMENSIONAL STANDARDS



PARTITION STANDARDS



EXISTING PARTITION INFILL



Ecomaine - Renovation of Office/Break Area
 64 Blueberry Road, Portland, ME 04102

SHEET
A003

JOB # 12122
 DATE 05/06/13
 SCALE As indicated

TITLE
WALL SYSTEMS

© 2012 PDT Architects

ARCHITECTURE
 INTERIOR DESIGN
 PLANNING

49 DARTMOUTH STREET
 PORTLAND, MAINE 04101
 www.pdtarch.com

