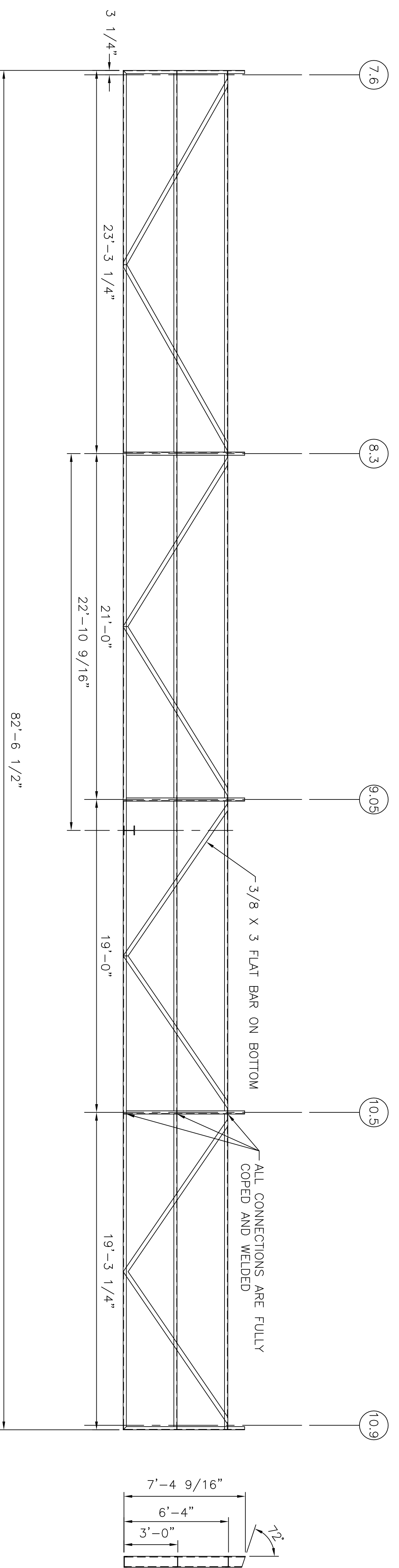


- NOTES:
1. ALL DIMENSIONS AND ELEVATIONS ARE FOR REFERENCE. USE ONLY. CONTRACTOR SHALL FIELD VERIFY AND CHECK FOR ANY DISCREPANCIES PRIOR TO CONSTRUCTION. ALL DISCREPANCIES SHALL BE BROUGHT TO THE ATTENTION OF THE ENGINEER BEFORE PROCEEDING WITH THE EFFECTED PORTION OF WORK.
 2. ALL STRUCTURAL STEEL SHAPES AND PLATES SHALL BE ASTM SPEC. A-36.
 3. ALL WELDS SHALL BE MADE WITH E70XX ELECTRODES.



ROOF STEEL
 ALL SECTIONS C8X13.75
 MATERIAL: A-36

ECO MAINE
 OUTSIDE STORAGE SHELVES
 ROOF STEEL DETAIL

/ Atlantic Engineering Services Inc.	
/ 2 PORTLAND NORTH BUSINESS PARK - FALMOUTH, MAINE 04106	
DESIGN: WAGMASTER	SCALE: 1/4"=1'
DRAWN: WAGMASTER	JOB NO.: 1682
APPROVED:	DATE: 7-30-12
DRAWING NO.: D1682-9	REV.
NO.	REVISIONS
MADE BY:	DATE
CHECK BY:	