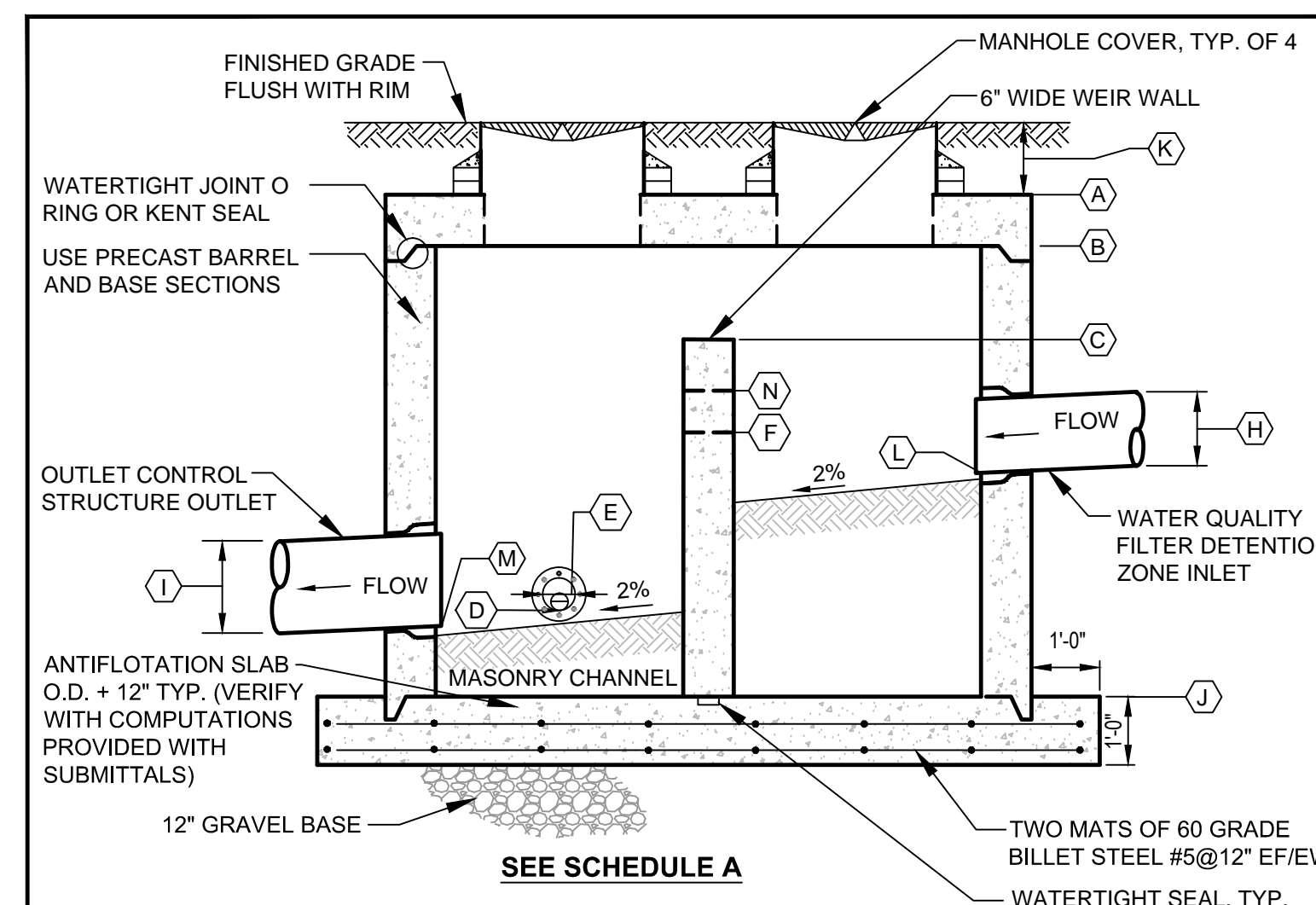
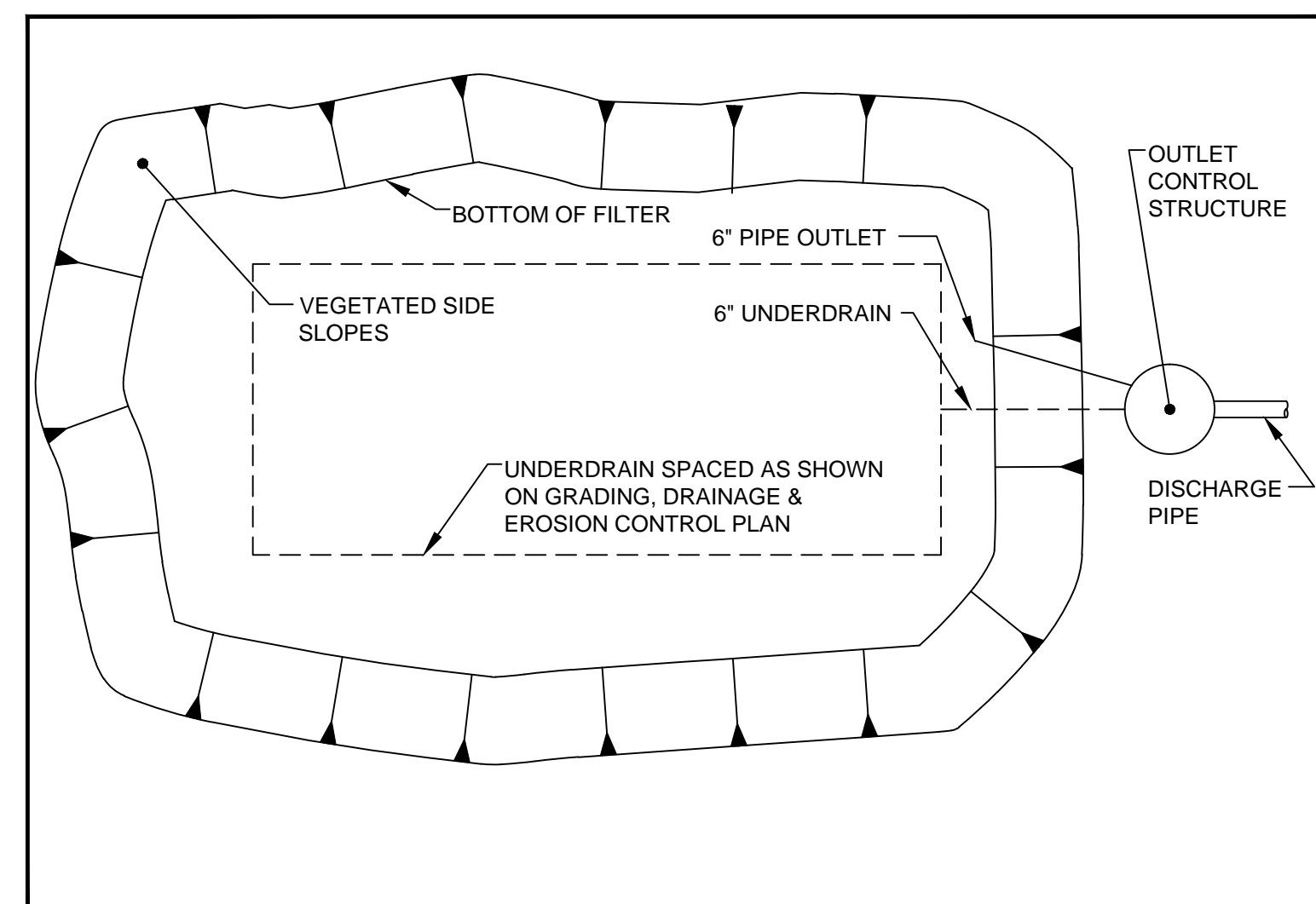


- NOTES:
1. FILTER IS DESIGNED TO TREAT 1.0\"/>

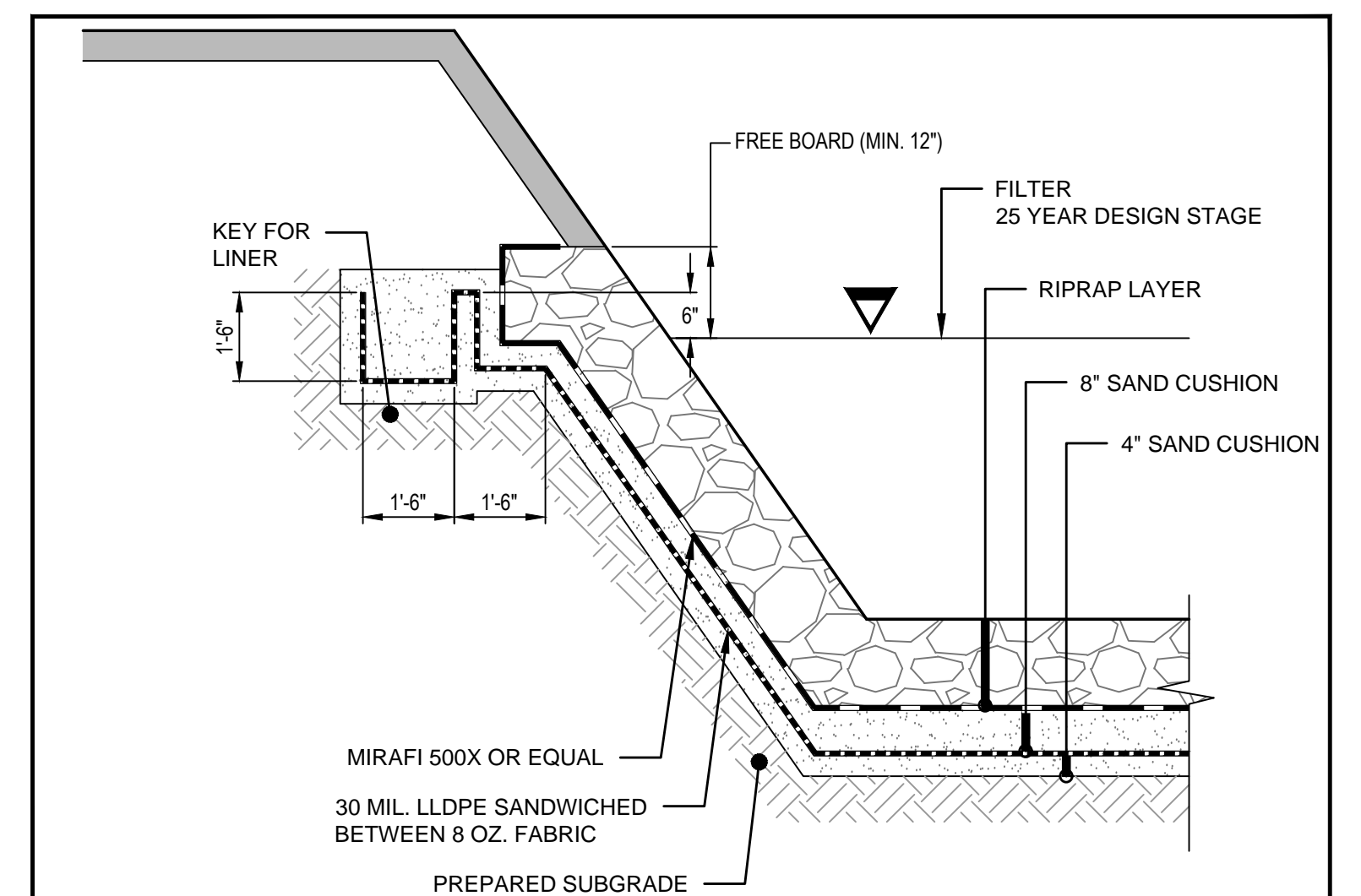
TYPICAL SECTION FOR UNDERDRAINED GRASSED SOIL FILTER W/ LLDPE LINER
N.T.S.



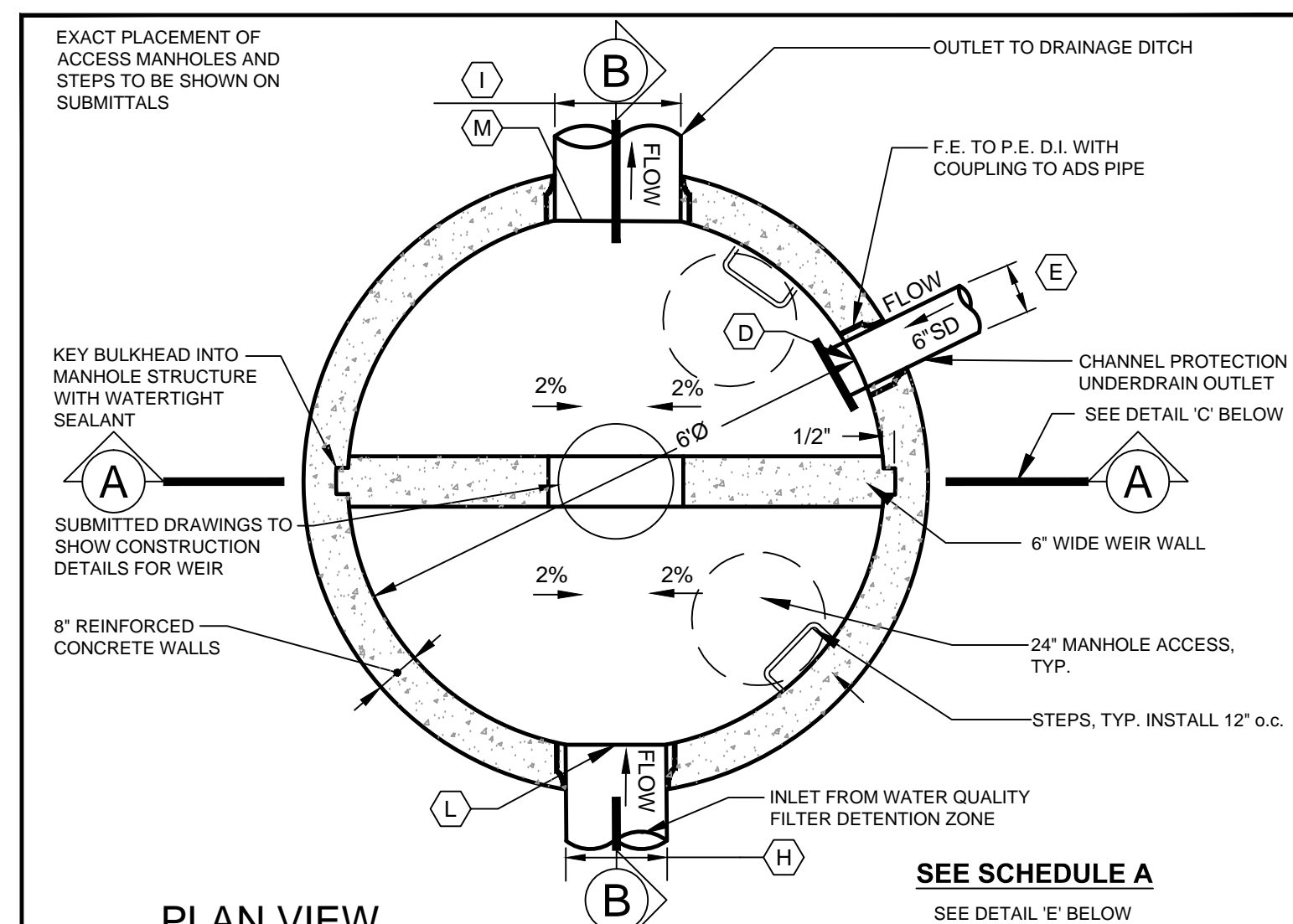
SECTION B-B 6\"/> N.T.S.



TYPICAL PLAN FOR WATER QUALITY FILTER
N.T.S.



TYPICAL DETAIL LLDPE LINER UNDER RIPRAP SLOPE AND TOP "KEY"
N.T.S.



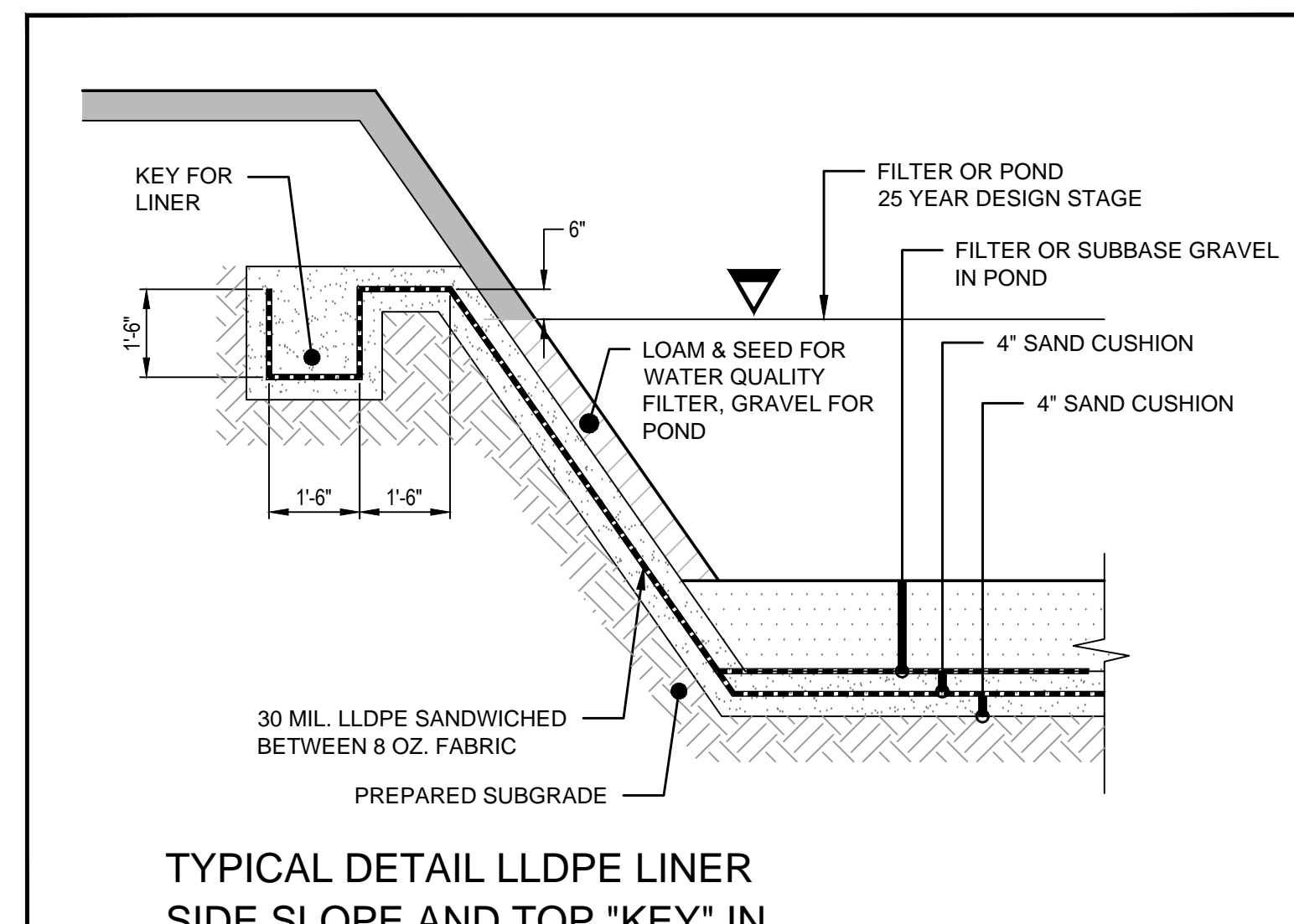
PLAN VIEW 6\"/> N.T.S.

**SCHEDULE A
OUTLET CONTROL STRUCTURE**

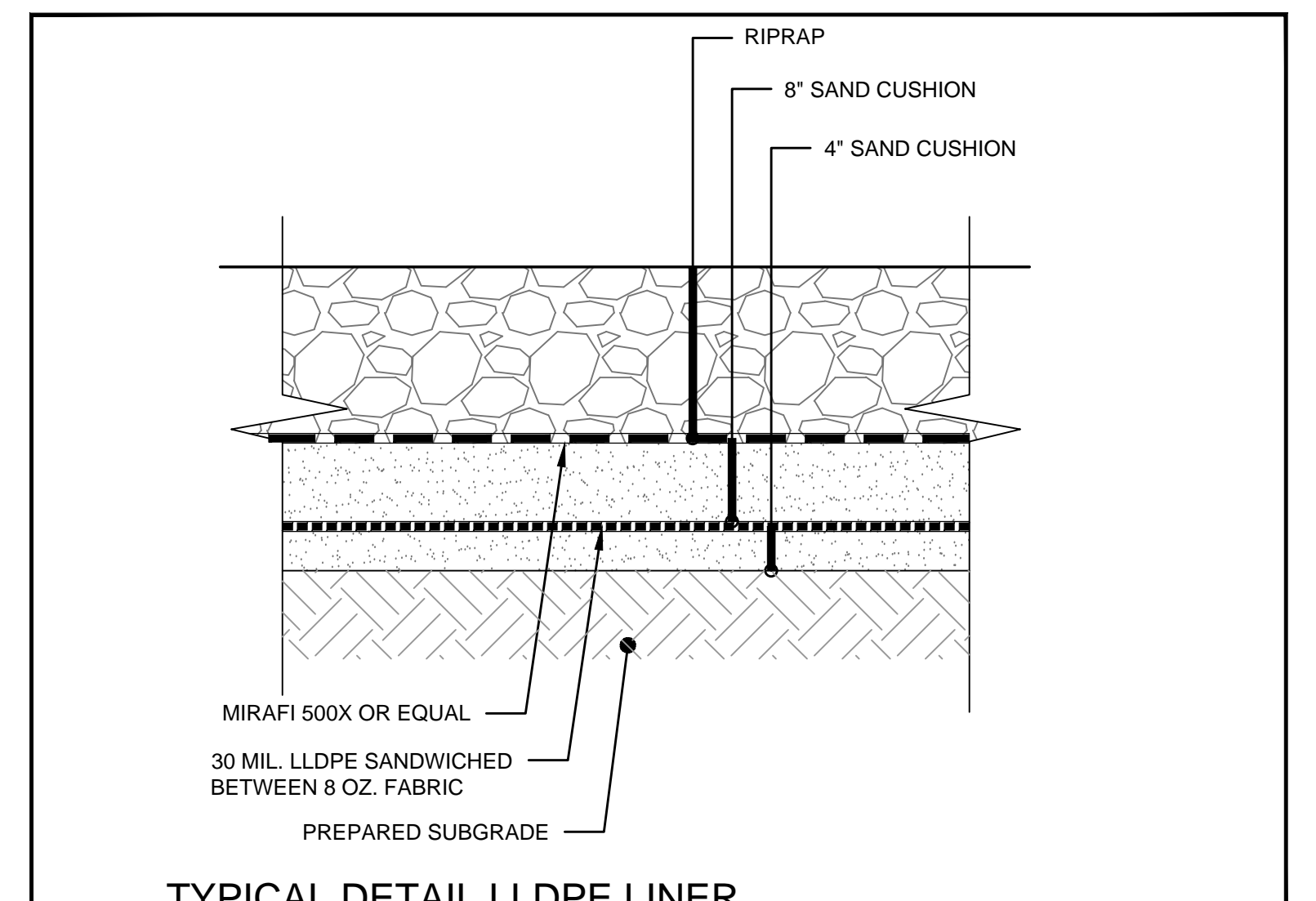
ITEM DESCRIPTION	DIMENSION/ ELEVATION
(A) TOP OF STRUCTURE	92.63
(B) UNDERSIDE TOP SLAB	91.06
(C) TOP CONCRETE WEIR WALL	90.96
(D) WATER QUALITY VOLUME PIPE INVERT	86.09
(E) WATER QUALITY VOLUME PIPE DIAMETER *	6"
(F) WATER QUALITY ZONE WEIR INVERT	89.62
(G) WATER QUALITY ZONE WEIR WIDTH	0.5'
(H) DIAMETER OF INLET PIPE FROM DET. ZONE	24"
(I) DIAMETER OF OUTLET PIPE	24"
(J) BOTTOM OF STRUCTURE	84.00
(K) RIM TO TOP OF STRUCTURE	0.83'
(L) DETENTION ZONE INLET INVERT	88.42
(M) OUTLET CONTROL STRUCTURE OUTLET INVERT	85.99
(N) DETENTION ZONE WEIR INVERT	90.50
(O) DETENTION ZONE WEIR WIDTH	1'

* SEE DETAIL 'F' ON THIS SHEET FOR ECCENTRIC ORIFICE SIZE REQUIRED. OUTLET CONTROL STRUCTURE IS AN I/D MANHOLE.

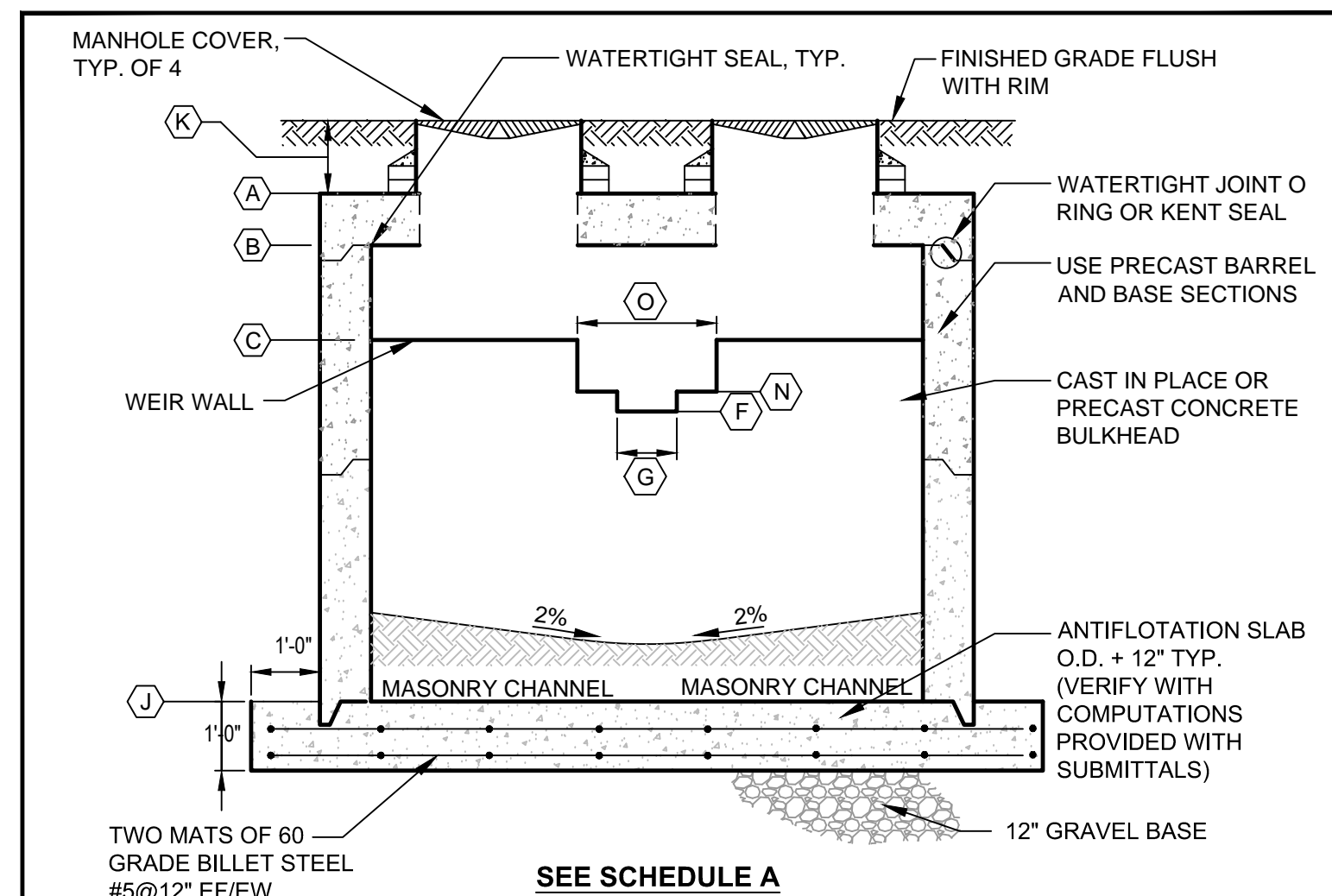
SCHEDULE 'A'
N.T.S.



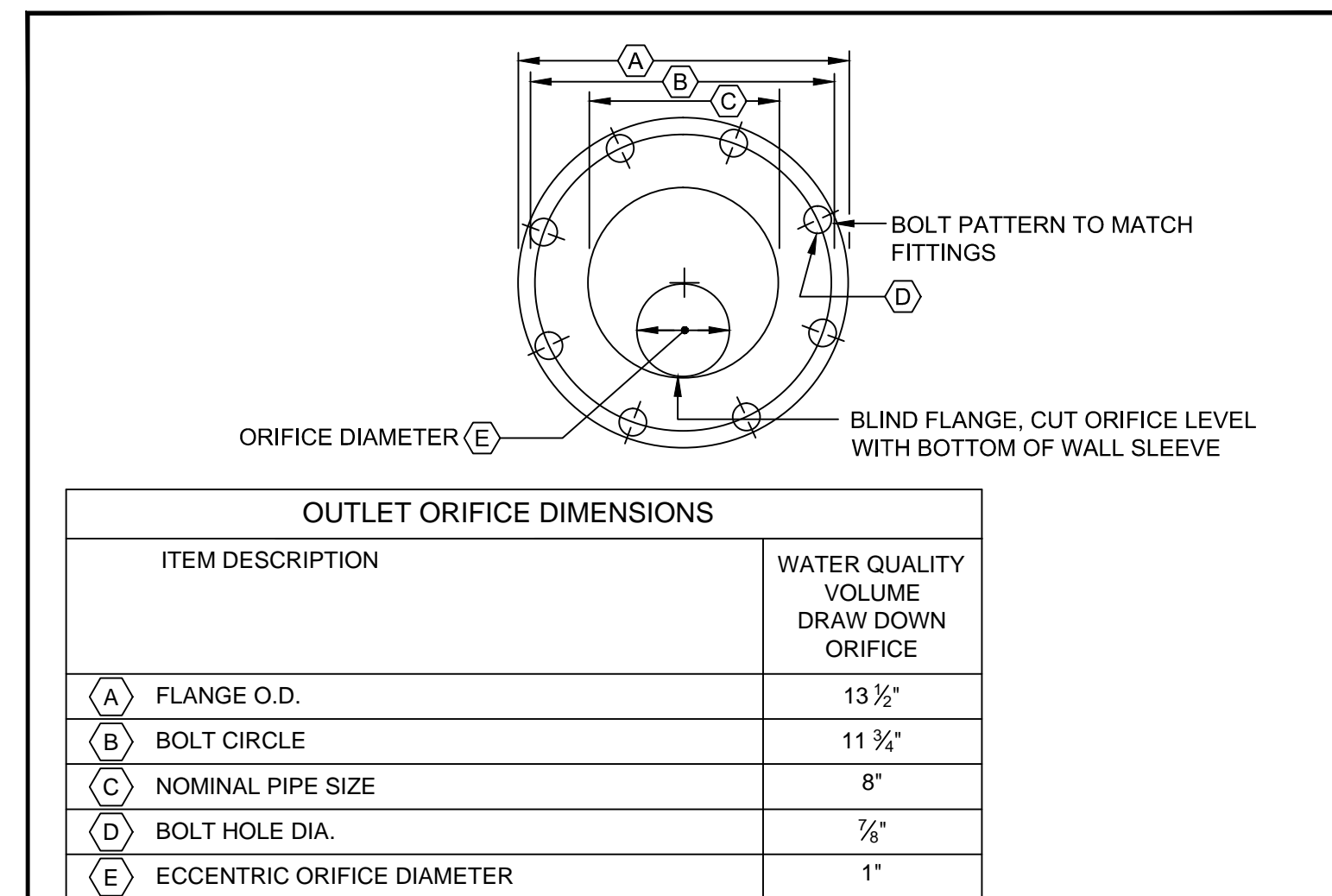
TYPICAL DETAIL LLDPE LINER SIDE SLOPE AND TOP "KEY" IN POND OR WATER QUALITY FILTER
N.T.S.



TYPICAL DETAIL LLDPE LINER UNDER RIPRAP SECTION
N.T.S.



SECTION A-A 6\"/> N.T.S.

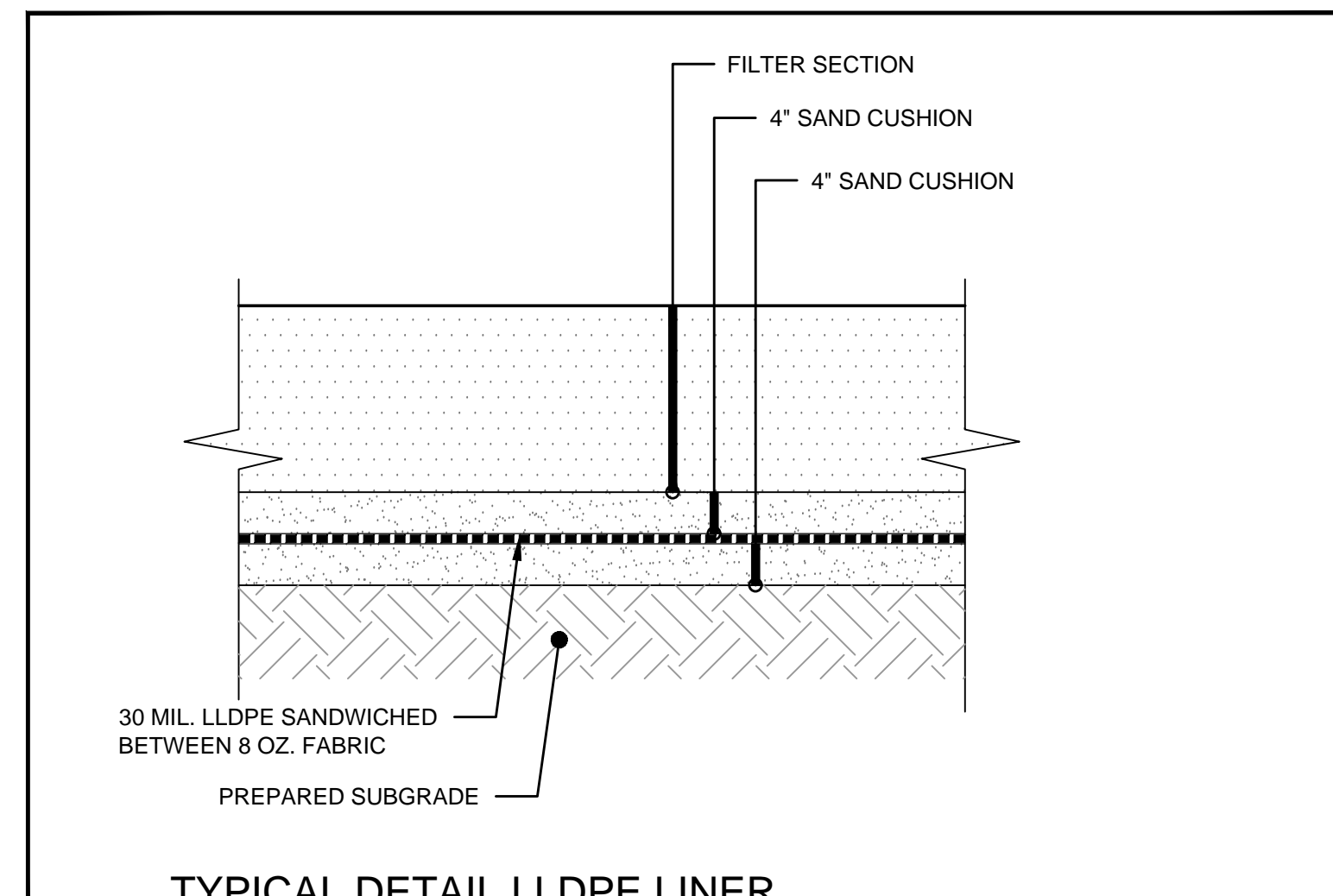


ORIFICE DETAIL
N.T.S.

OUTLET ORIFICE DIMENSIONS

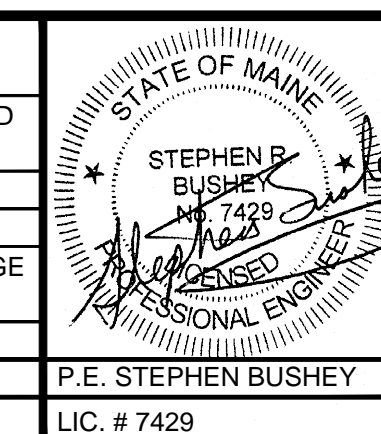
ITEM DESCRIPTION	WATER QUALITY VOLUME DRAW DOWN ORIFICE
(A) FLANGE O.D.	13 1/2"
(B) BOLT CIRCLE	11 3/4"
(C) NOMINAL PIPE SIZE	8"
(D) BOLT HOLE DIA.	7/8"
(E) ECCENTRIC ORIFICE DIAMETER	1"

NOTE: ORIFICE DIAMETER HAS BEEN SIZED TO DRAW DOWN THE WATER QUALITY VOLUME BETWEEN 24 AND 32 HOURS.



TYPICAL DETAIL LLDPE LINER POND GRAVEL COVER OR UNDER WATER QUALITY FILTER
N.T.S.

REV	DATE	DESCRIPTION
5	07.22.14	REVISED ALL DETAILS AND SUBMITTED AMENDED PLANS TO CITY AND MEDEP
4	05.03.13	REVISED AND RESUBMITTED TO CITY
3	04.18.13	REVISED PER CITY STAFF COMMENTS
2	04.09.13	SUBMITTED TO MEDEP STORMWATER DISCHARGE PERMIT
1	03.28.13	SUBMITTED TO CITY OF PORTLAND



PROJECT MULTI-USE DEVELOPMENT 2282 CONGRESS ST., PORTLAND, ME
SHEET TITLE STORMWATER MANAGEMENT: GRASSED UNDERDRAINED FILTER DETAILS
CLIENT CJ DEVELOPERS, INC. 35 PRIMROSE LANE, FREEPORT, MAINE 04032 AND PORTLAND PROPERTY HOLDINGS, LLC 2 MAIN STREET, SUITE 200, TOPSHAM, MAINE 04086

FST FAY, SPOFFORD & THORNDIKE ENGINEERS · PLANNERS · SCIENTISTS 778 MAIN ST, SUITE 8, SOUTH PORTLAND, ME 04106	DRAWN: CMW DESIGNED: SRB CHECKED: SRB FILE NAME: 3118-DET SHEET	DATE: OCTOBER 2013 SCALE: N.T.S. JOB NO. 3118 C-9.1
--	---	--