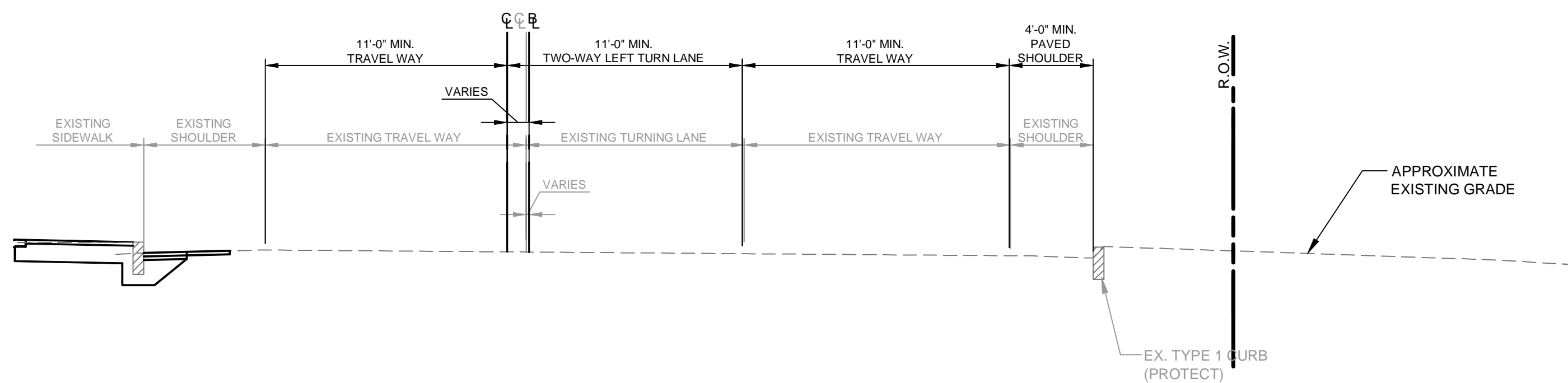
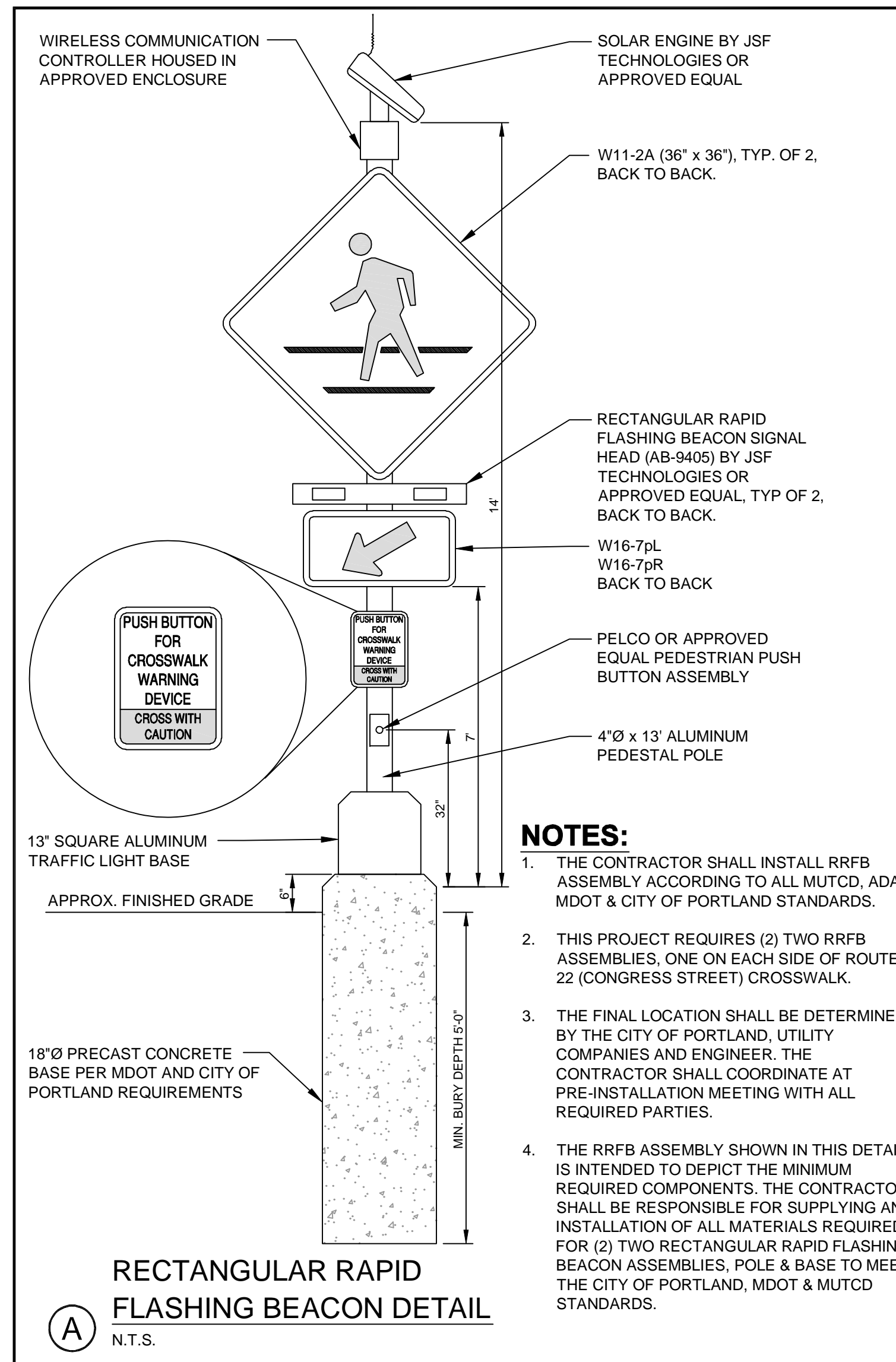


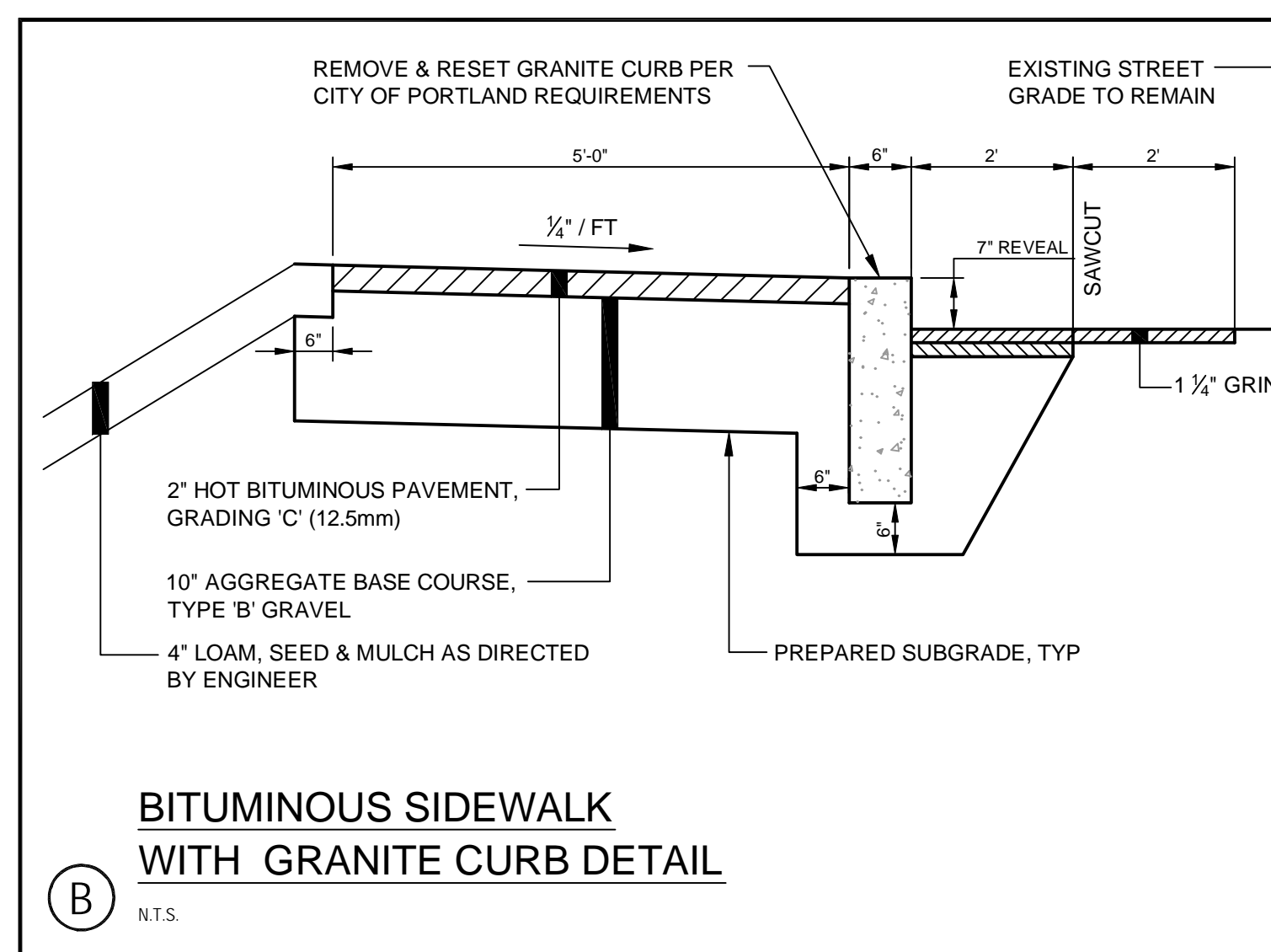
**TYPICAL SECTION
STATE ROUTE 22 (CONGRESS STREET)
STA 96+26 TO STA 98+51**
N.T.S.



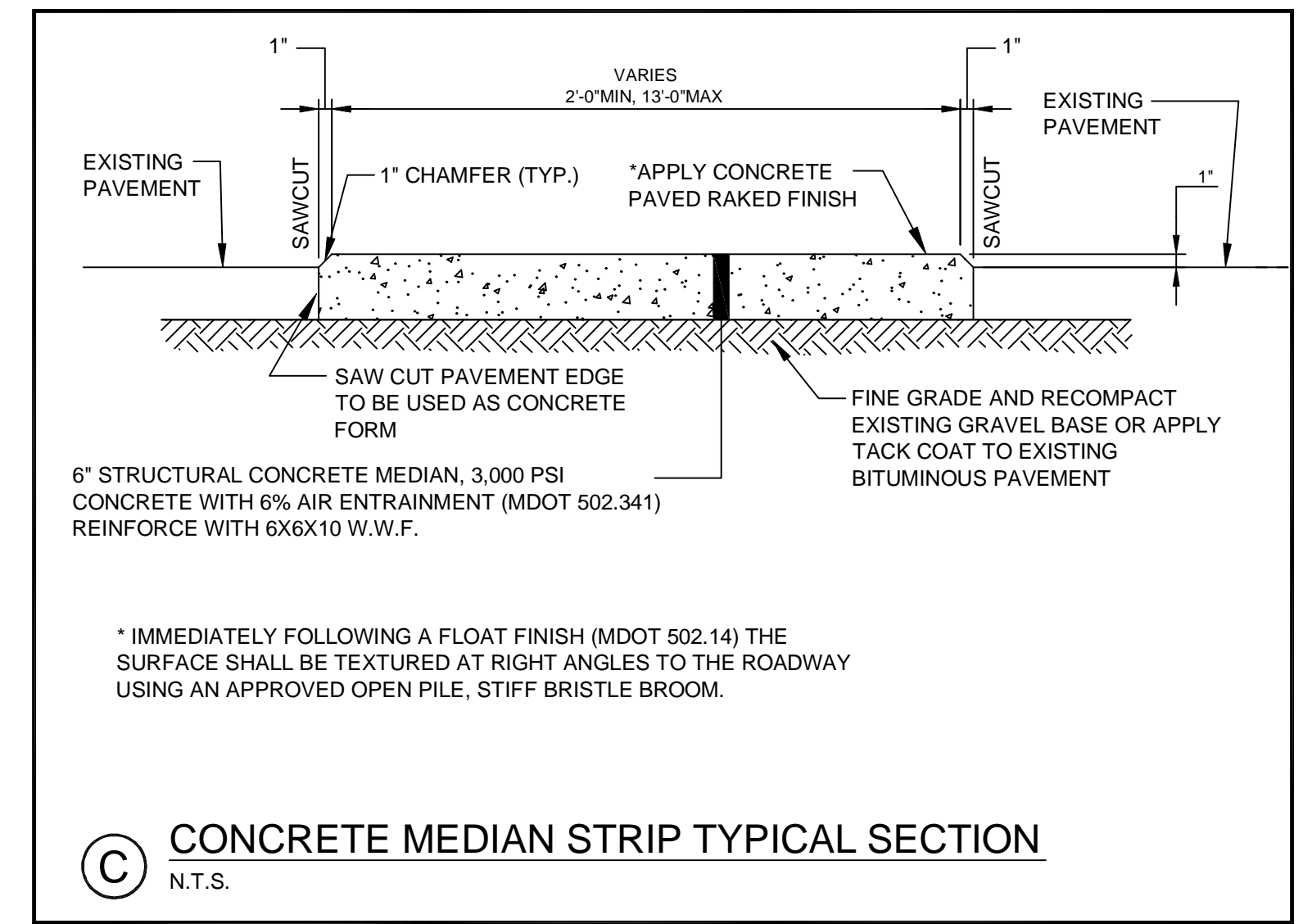
**TYPICAL SECTION
STATE ROUTE 22 (CONGRESS STREET)
STA 93+10 TO STA 96+26**
N.T.S.



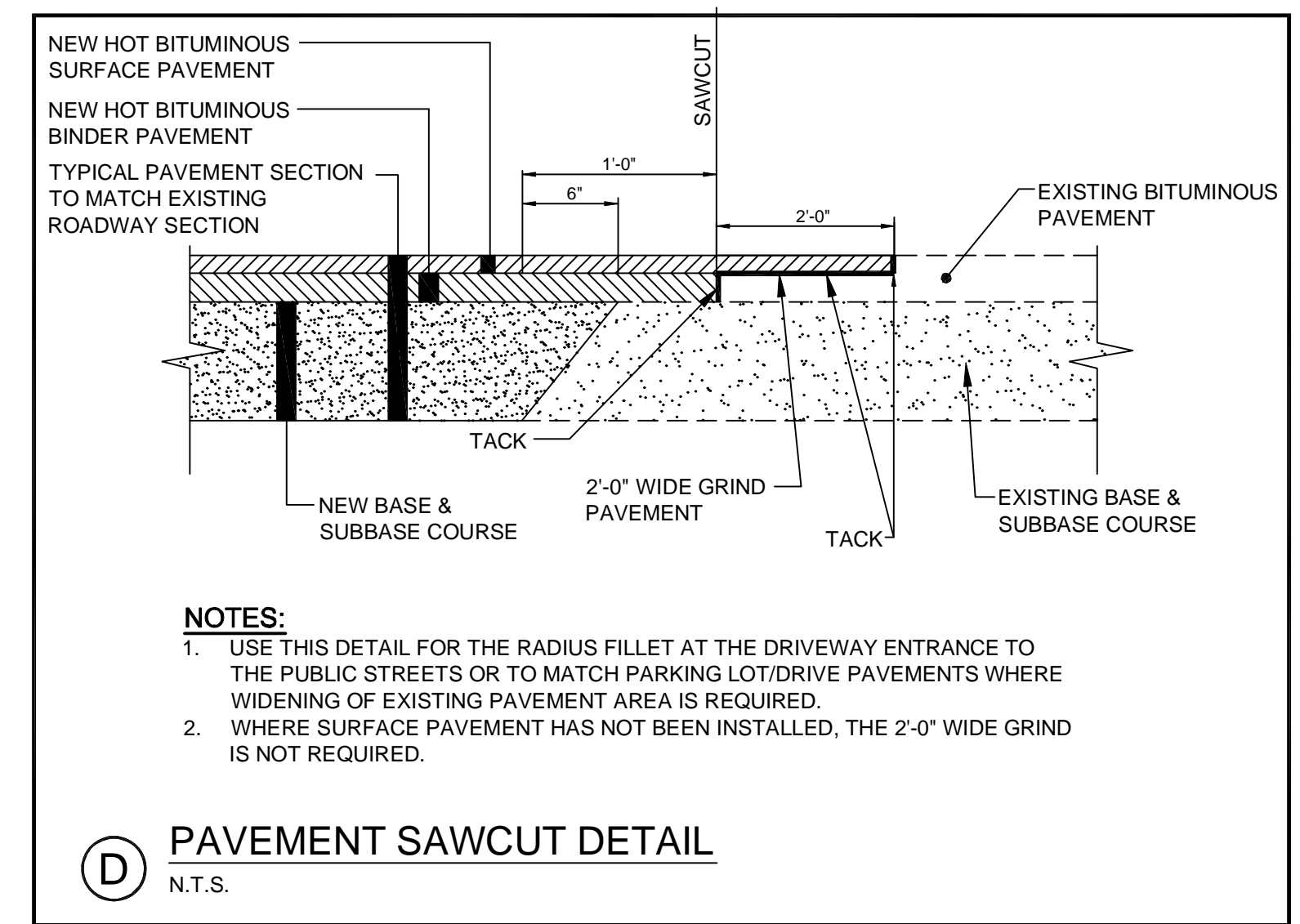
**RECTANGULAR RAPID
FLASHING BEACON DETAIL**
N.T.S.



**BITUMINOUS SIDEWALK
WITH GRANITE CURB DETAIL**
N.T.S.



CONCRETE MEDIAN STRIP TYPICAL SECTION
N.T.S.



PAVEMENT SAWCUT DETAIL
N.T.S.

REV	DATE	DESCRIPTION	P.E. BO KENNEDY LIC. # 11994
4	08.13.14	SUBMITTED TO CITY OF PORTLAND	
3	08.08.14	SUBMITTED TO CITY OF PORTLAND	
2	07.22.14	SUBMITTED TO CITY OF PORTLAND AND MDOT	
1	07.10.13	SUBMITTED TO UTILITY COMPANIES FOR REVIEW	
		REVISIONS	

PROJECT STATE ROUTE 22 (CONGRESS STREET) TURN LANE EXTENSION PROJECT 2282 CONGRESS STREET, PORTLAND, ME	CLIENT PORTLAND PROPERTY HOLDINGS, LLC 2 MAIN STREET, SUITE 200, TOPSHAM, MAINE 04086
--	--

FST 100 YEARS FAY, SPOFFORD & THORNDIKE ENGINEERS • PLANNERS • SCIENTISTS 778 MAIN ST, SUITE 8, SOUTH PORTLAND, ME 04106	
DRAWN: CMW	DATE: JUNE 2013
DESIGNED: BEK	SCALE: AS NOTED
CHECKED: SRB	JOB NO. 3118.01
FILE NAME: 3118.01-TYPICAL SECTIONS	
SHEET C-2.0 OFF	