

Data/ Specification Sheet

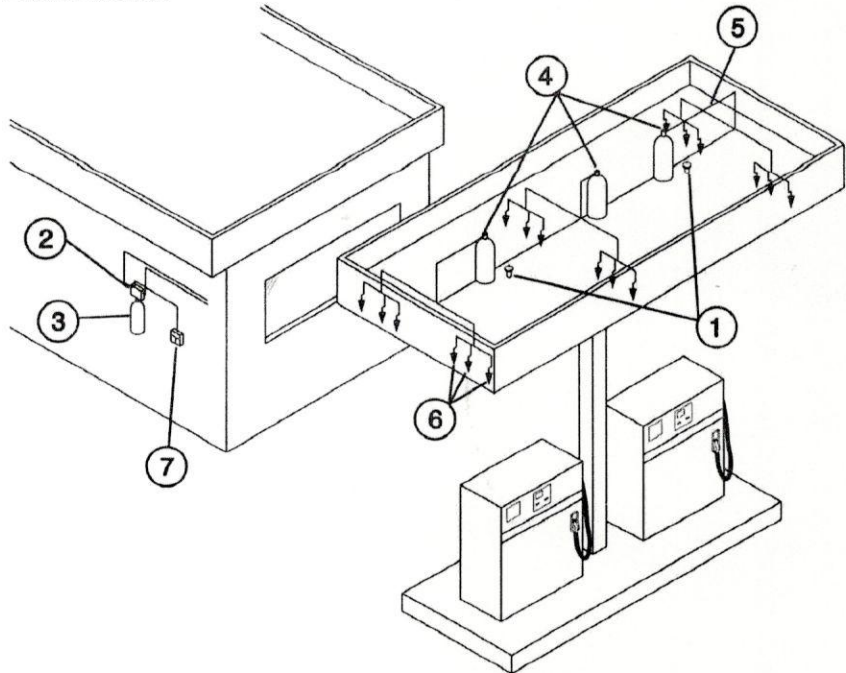
The Attendant™ II Dry Chemical Gasoline Station Fire Suppression System



TM

TYPICAL MAIN ISLAND PROTECTION

1. Fixed temperature electrical thermal detectors
2. Model ECH-Series Control Head
3. Model PAC-10/200 Pneumatic Actuating Cylinder
4. Model ATD-35BC/80sBC Agent Storage Cylinders
5. Fixed agent distribution piping
6. Model N-CATD Discharge Nozzles
7. Model RPS-M Remote Mechanical Pull Station



General

The Attendant II Gasoline Station Fire Suppression System is a fire control system designed to aid and enable occupants to evacuate parked vehicles subjected to fire resulting from spilled fuel in the protected area of gasoline service stations. A secondary purpose is to extinguish small spill fires in the protected area.

Gasoline service station vehicle fueling area fires are unique hazards, having environmental and physical variables that can affect the extinguishing capability of The Attendant II Gasoline Station Fire Suppression System. These variables include:

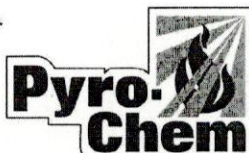
1. Unusual wind or weather conditions.
2. Spills that extend beyond the protected area.
3. Sources of ignition beyond the protected area.
4. Sources of ignition that continue past the end of the discharge.
5. Large trucks and unforeseen obstacles to the discharge pattern.

System Operation

- The Attendant II Gasoline Station Fire Suppression System has been designed and tested to the September 29, 1998 revision of **UL 1254 Standard for Pre-Engineered Dry Chemical Extinguishing System Units** and is Listed by Underwriters Laboratories for main island protection and end-of-island protection.

A modular concept of protection is used. A nozzle pair (called a "cluster") protects a specific hazard module determined by the hazard size and the cluster's positioning within the module. Sets of clusters are located to protect adjacent hazard modules that make up the hazard area. A dedicated, stored-pressure cylinder containing sodium bicarbonate-based dry chemical extinguishing agent supplies the clusters with the necessary fire fighting agent through a fixed piping network. Electrical fixed temperature thermal detectors are strategically positioned over the dispenser island. These detectors monitor the ambient temperature of the hazard area, and initiate a signal in the event that the rated temperature is exceeded. The control head receives this signal and responds by initiating a pneumatic actuation system. This actuation system opens the valve assemblies on the agent storage cylinders and releases the agent into the discharge piping network. A mechanical means of manually activating the system without electrical power is provided. This manual actuation may be either by turning the lever on the control head, or pulling the handle on a remote manual release device.

Expanded capability is available to provide supervision of the detection/initiation circuit, remote electrical manual actuation, gas dispenser shut down, and audible alarm. Optional equipment will enhance the basic system functions and be applicable when designing custom configurations to suit a particular customer's needs or to comply with local codes.



Tyco Safety Products
One Stanton Street
Marinette, WI 54143-2542
Telephone: 800-526-1079
715-732-3465
Fax: 877-329-7976
715-732-3569

July 15, 2004