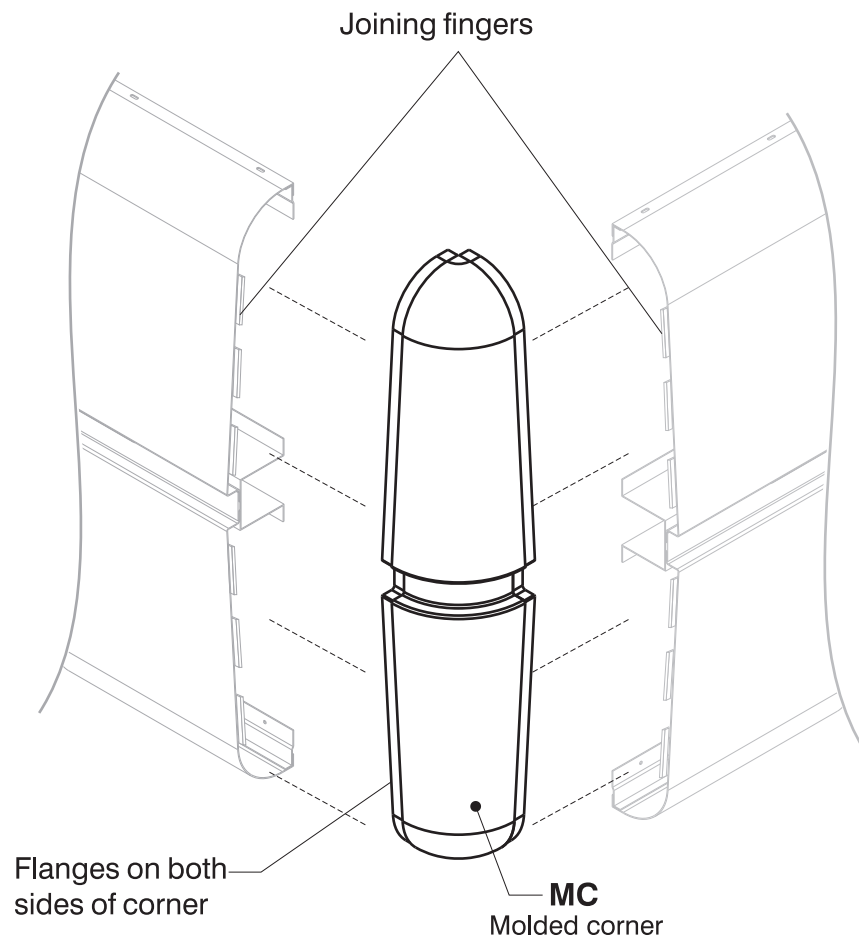


IRV-AFP-FRMD-CNR

NOTE: COLORS AND PHOTOGRAPHIC REPRESENTATIONS ON THIS DRAWING ARE FOR VISUAL AID ONLY. EXACT COLORS SHOULD BE OBTAINED THROUGH COLOR SWITCHES SUPPLIED UPON REQUEST.



Bravo Inventory Number IRV-AFP-FRMD-CNR
Roll Width: ___"
Material:
UOM - unit of Measure: (1) One
Item Description: Irving molded corner.
Template Number:
Notes: Used to "transition" the AFP at the canopy corner when continuing onto the next canopy elevation
Shipping Box: SS-BOX-IRV-CNR-KIT
Shipping Required:

NOTE: COLORS AND PHOTOGRAPHIC REPRESENTATIONS ON THIS DRAWING ARE FOR VISUAL AID ONLY. EXACT COLORS SHOULD BE OBTAINED THROUGH COLOR SWITCHES SUPPLIED UPON REQUEST.

THIS DRAWING INCLUDES DATA THAT IS PROPRIETARY INFORMATION OF PRO SIGN COMPANY IT SHALL NOT BE USED, DUPLICATED, OR DISCLOSED IN WHOLE OR PART FOR ANY PURPOSE OTHER THAN TO EVALUATE THIS PROPOSAL. IF A CONTRACT IS AWARDED TO THE PROPOSER AS A RESULT OF OR IN CONNECTION WITH THE SUBMISSION OF THIS DATA, THE DEFEREE SHALL HAVE THE RIGHT TO USE OR DISCLOSE THE DATA TO THE EXTENT PROVIDED IN THE RESULTING CONTRACT.

© Copyright, Pro Sign Company, 2010
NOTE: COLORS AND PHOTOGRAPHIC REPRESENTATIONS ON THIS DRAWING ARE FOR VISUAL AID ONLY. EXACT COLORS SHOULD BE OBTAINED THROUGH COLOR SWITCHES SUPPLIED UPON REQUEST.

Phone: 610.518.5881
Fax: 610.518.5244
E-MAIL: info@prosign.net

299 Boot Rd.
Downingtown, Pa. 19335



FILE INFO.		Drawing by: TKay	
CDR:	Temp Irving Oil Canopy/AFP metal fascia/inventory master sheets/IRV-AFP-END-CAR-CNR.CDR		
W.O. #		A.M.	
DATE	10.28.10	SALES	

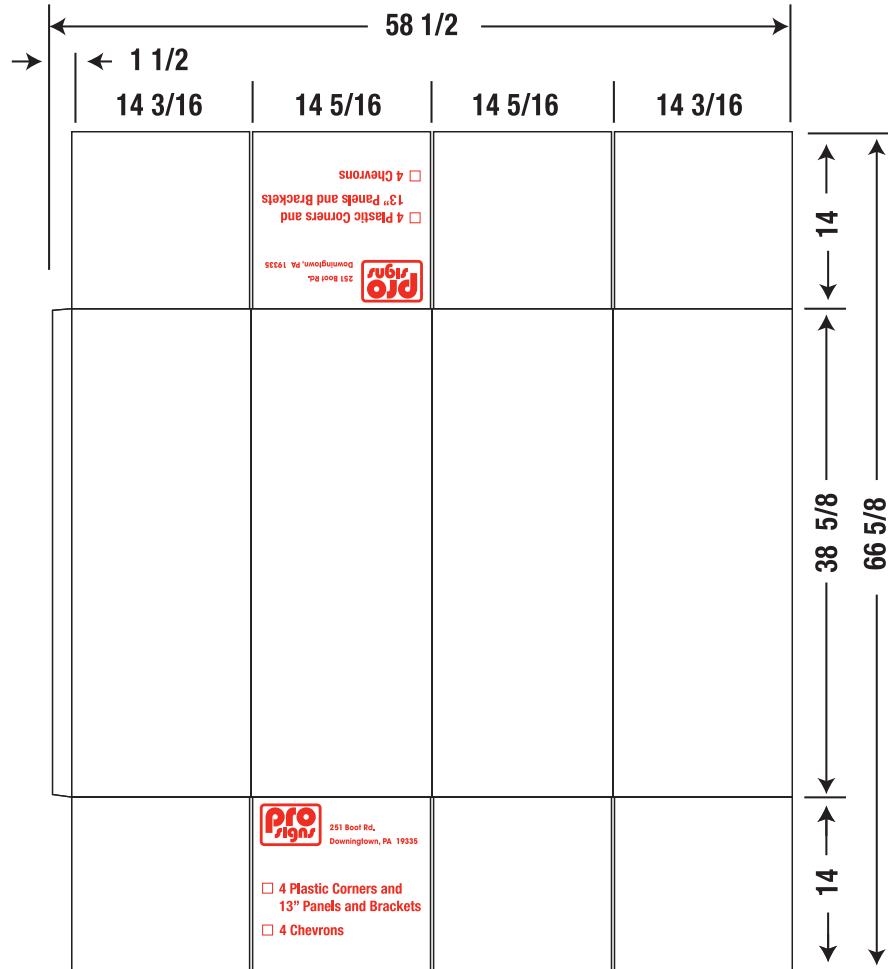
SS-BOX-IRV-CNR-KIT

NOTE: COLORS AND PHOTOGRAPHIC REPRESENTATIONS ON THIS DRAWING ARE FOR VISUAL AID ONLY. EXACT COLORS SHOULD BE OBTAINED THROUGH COLOR SWATCHES SUPPLIED UPON REQUEST.



251 Boot Rd.
Downtown, PA 19335

- 4 Plastic Corners and 13" Panels and Brackets
- 4 Chevrons



MT# 0177540
08/19/2010

NOTE: COLORS AND PHOTOGRAPHIC REPRESENTATIONS ON THIS DRAWING ARE FOR VISUAL AID ONLY. EXACT COLORS SHOULD BE OBTAINED THROUGH COLOR SWATCHES SUPPLIED UPON REQUEST.

THIS DRAWING INCLUDES DATA THAT IS PROPRIETARY INFORMATION OF PRO SIGN COMPANY IT SHALL NOT BE USED, REPRODUCED OR DISCLOSED IN WHOLE OR PART FOR ANY PURPOSE OTHER THAN TO EVALUATE THIS PROPOSAL. IF A CONTRACT IS AWARDED TO THE PROPOSER AS A RESULT OF OR IN CONNECTION WITH THE SUBMISSION OF THIS DATA, THE DEFENDER SHALL HAVE THE RIGHT TO USE OR DISCLOSE THE DATA TO THE EXTENT PROVIDED IN THE RESULTING CONTRACT.

© Copyright, Pro Sign Company, 2010
NOTE: COLORS AND PHOTOGRAPHIC REPRESENTATIONS ON THIS DRAWING ARE FOR VISUAL AID ONLY. EXACT COLORS SHOULD BE OBTAINED THROUGH COLOR SWATCHES SUPPLIED UPON REQUEST.

Phone: 610.518.5881
Fax: 610.518.5244
E-MAIL: info@prosign.net

299 Boot Rd.
Downtown, Pa. 19335



FILE INFO.		Drawing by: T.Kay	
CDR:	Temp./Irving Oil/Canopy/APP metal/Isalco/Inventory master sheets/IRV-APP-DEP-PNL-COR		
W.O. #		A.M.	
DATE	10.28.10	SALES	