

ALPHAarchitects  
17 CHESTNUT STREET  
PORTLAND, ME 04101  
PHONE: 207.761.9500  
FAX: 207.761.9595  
design@alphaarchitects.com

COPYRIGHT

Reuse or reproduction of the contents of this document is not permitted without written permission of ALPHA ARCHITECTS



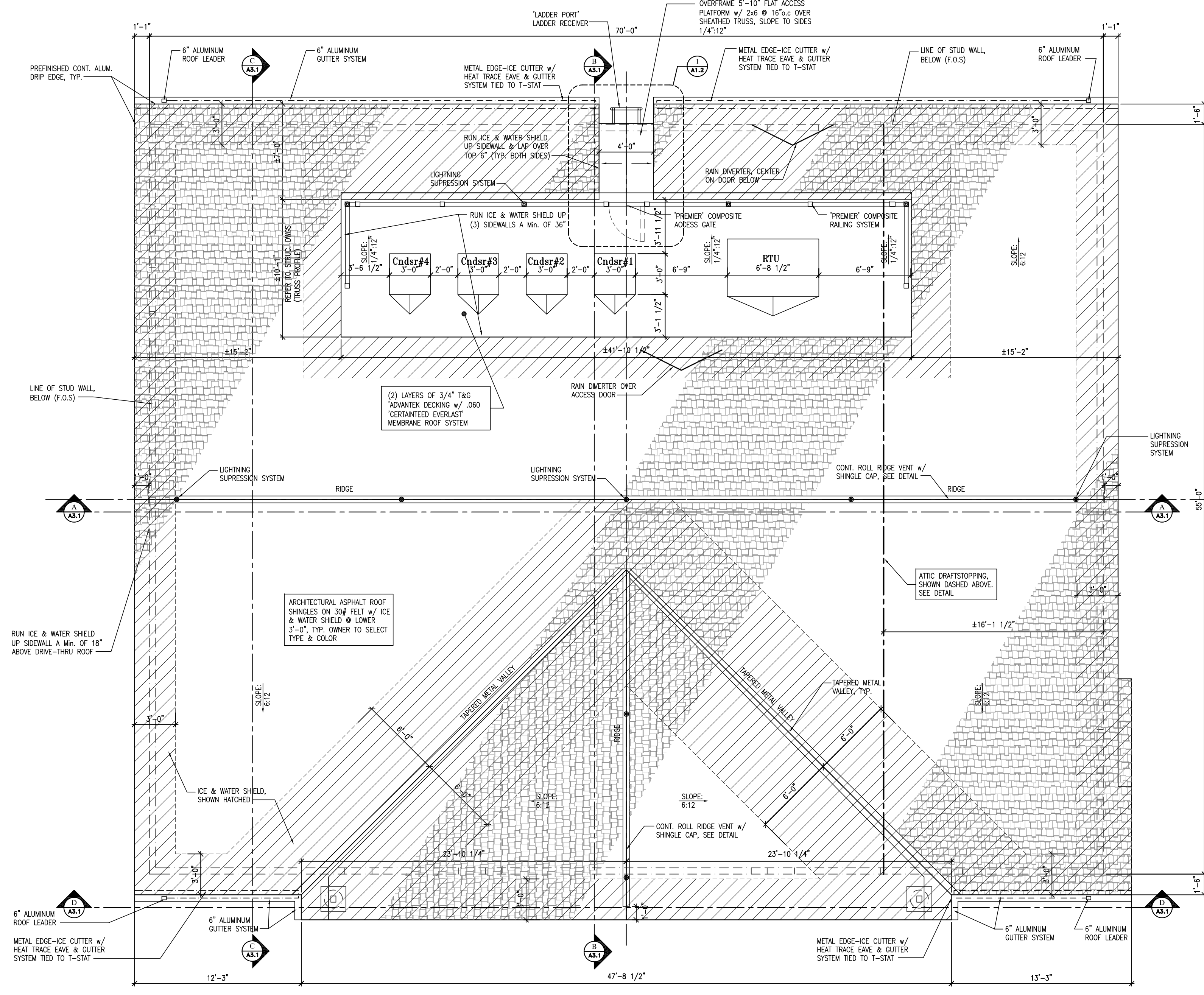
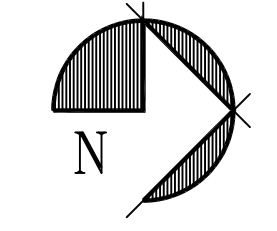
Portland Property Holdings LLC  
2282 Congress Street  
Portland, ME. 04102

JOB: 12132

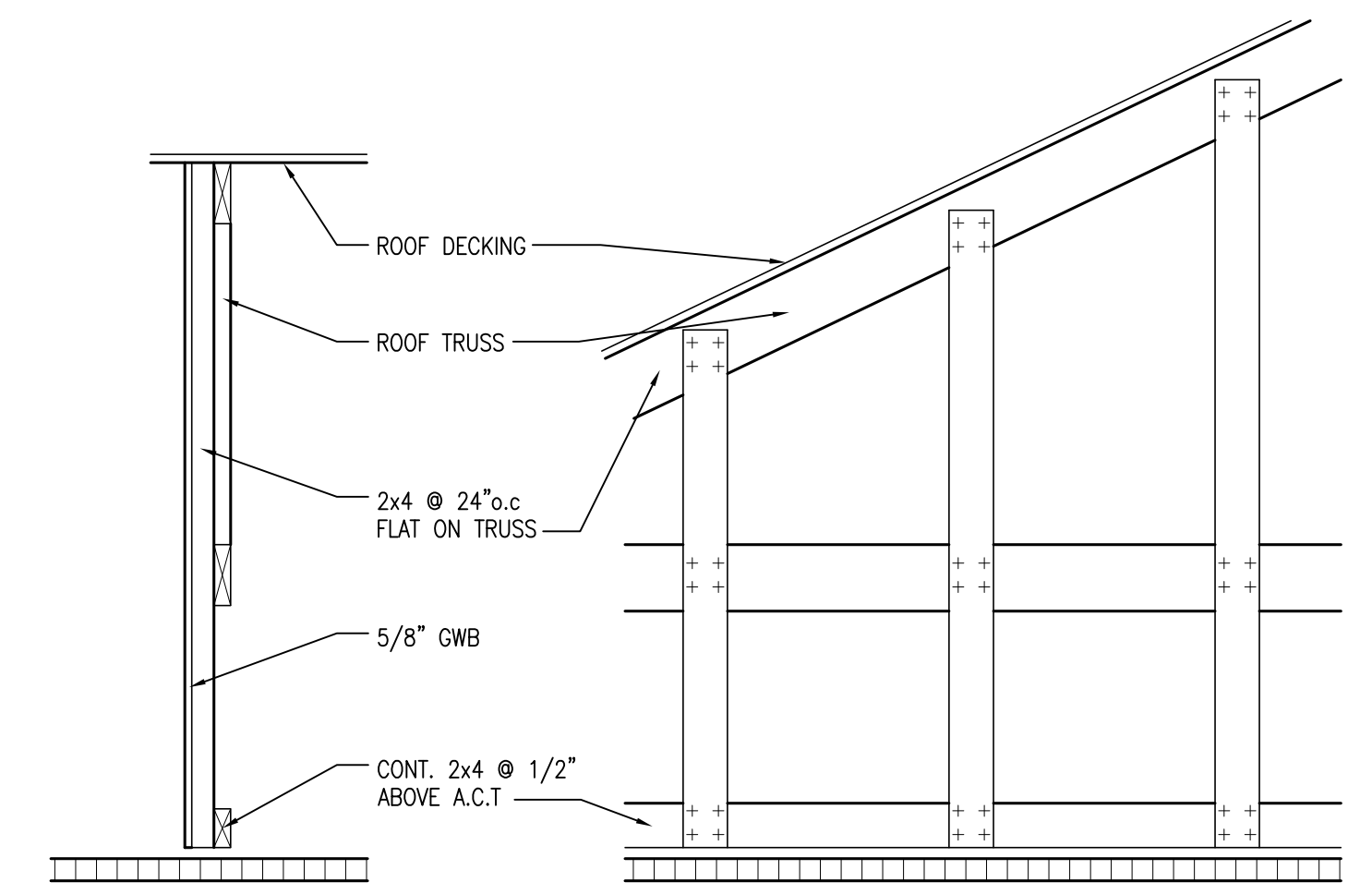
ISSUE DATE	
PRELIM	03-27-13
P BOARD	-
SFMO 2	10-16-15
CD's	-
REV. 1	10-16-15
PRINT	10-16-15

BASEMENT & ROOF PLANS & DETAILS

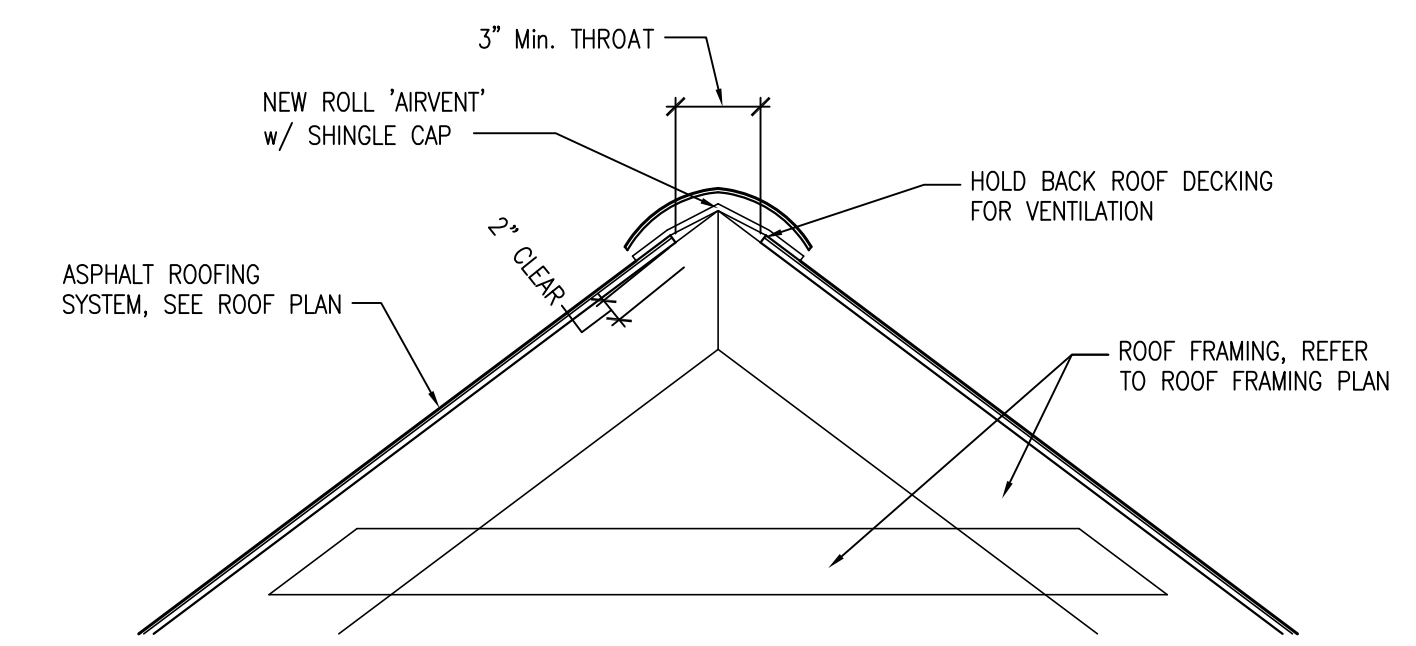
**A1.2**



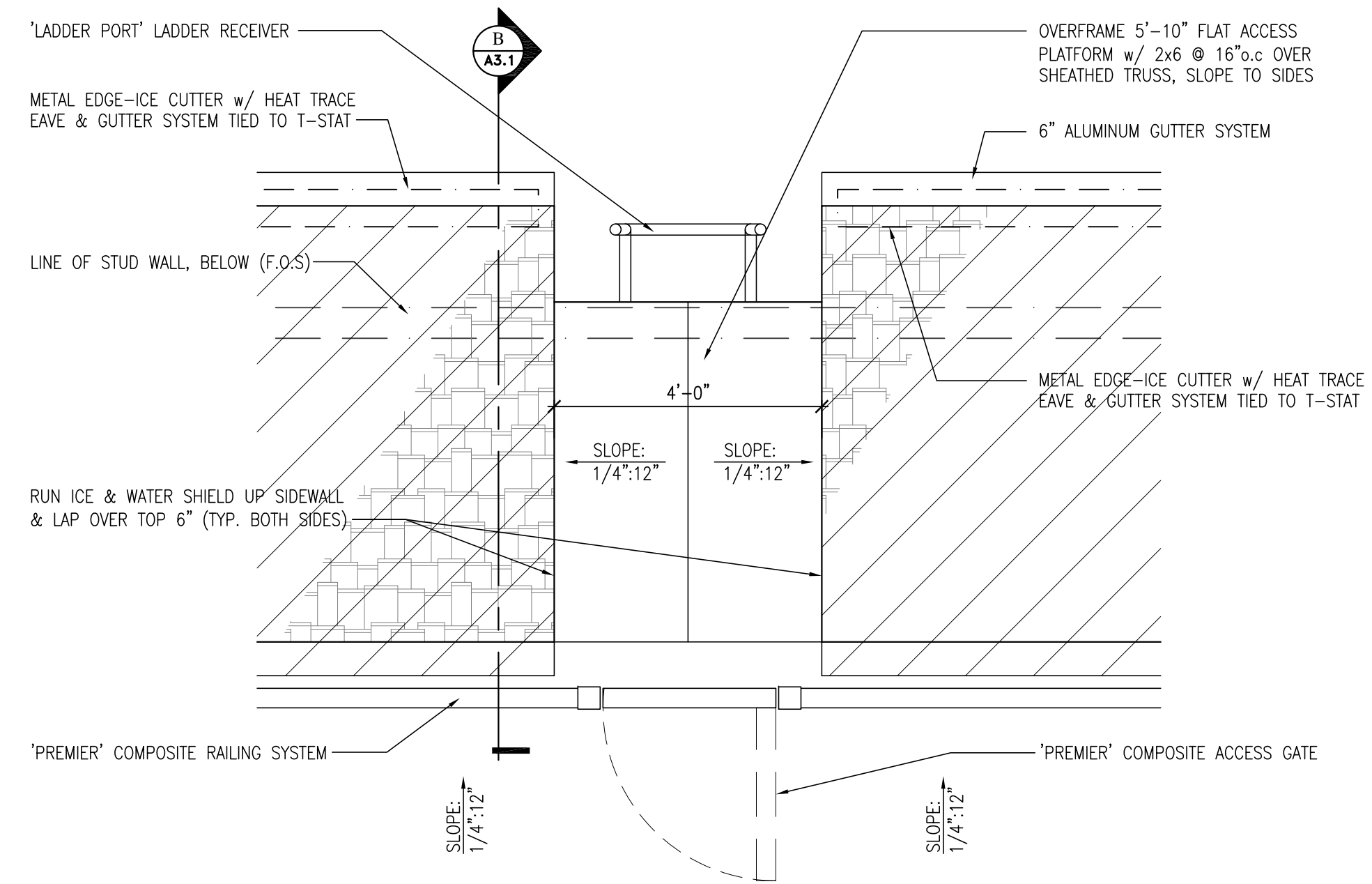
ROOF PLAN  
SCALE: 3/16" = 1'-0"



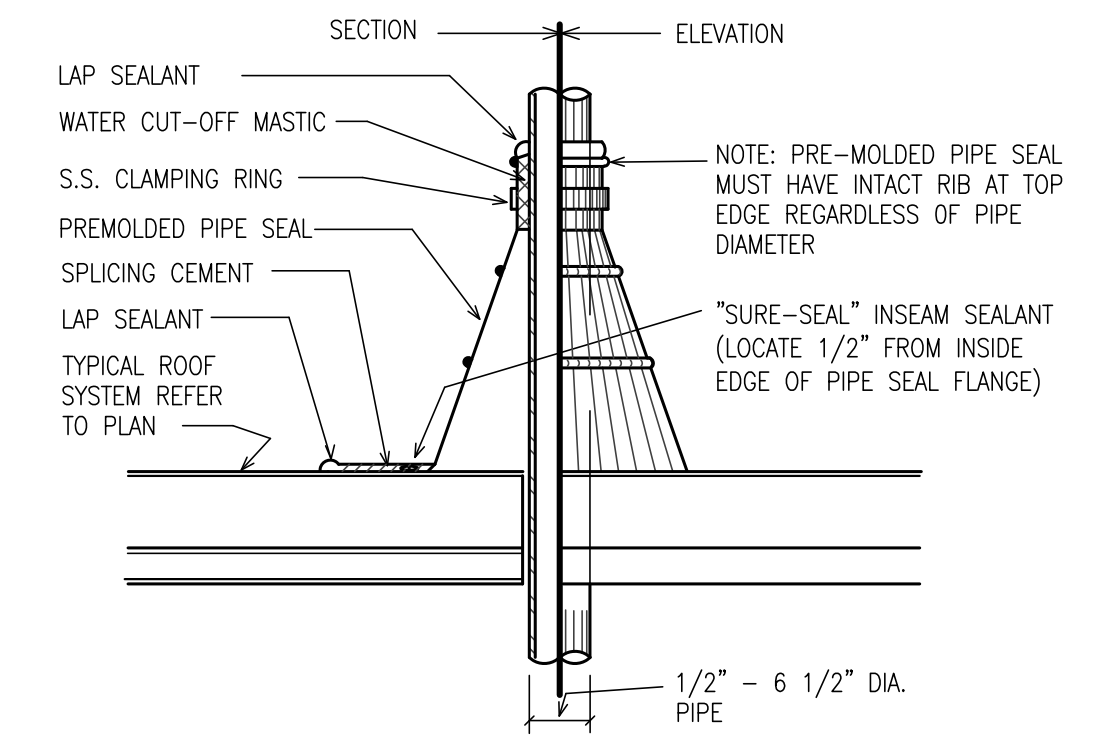
DRAFTSTOPPING DETAIL  
SCALE: 3/4" = 1'-0"



RIDGE VENT DETAIL  
SCALE: 3/4" = 1'-0"



ENLARGED ROOF ACCESS PLATFORM DETAIL  
SCALE: 1/4" = 1'-0"



VENT PIPE FLASHING DETAIL  
SCALE: 1 1/2" = 1'-0"

10-16-15