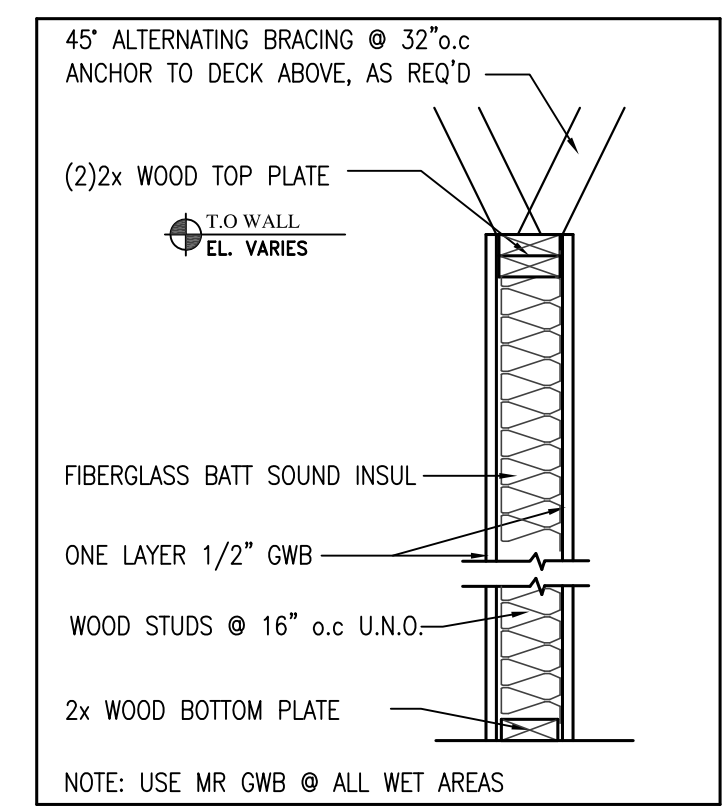
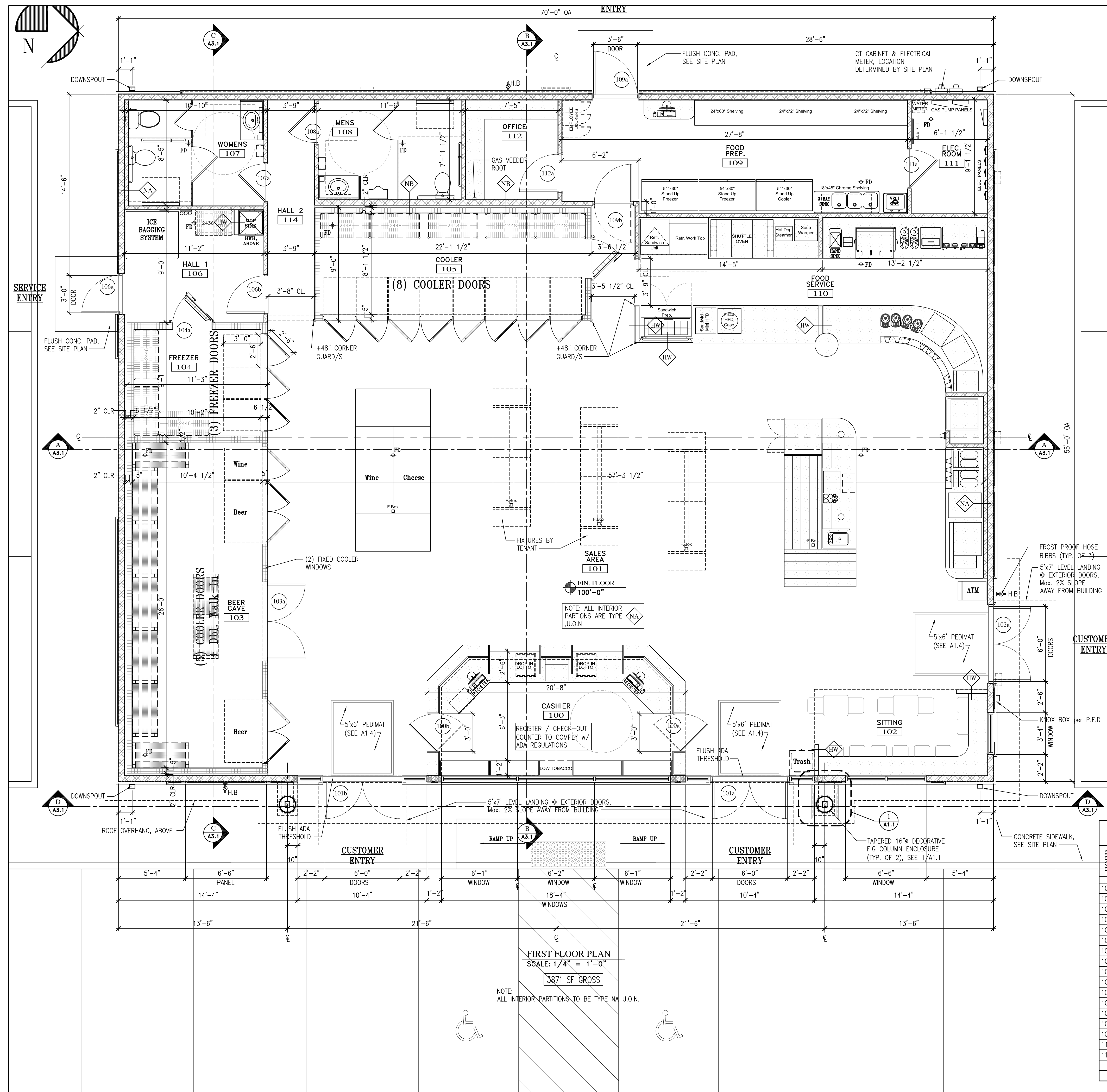


ALPHAarchitects
17 CHESTNUT STREET
PORTLAND, ME 04101
PHONE: 207.761.9500
FAX: 207.761.9595
design@alphaarchitects.com

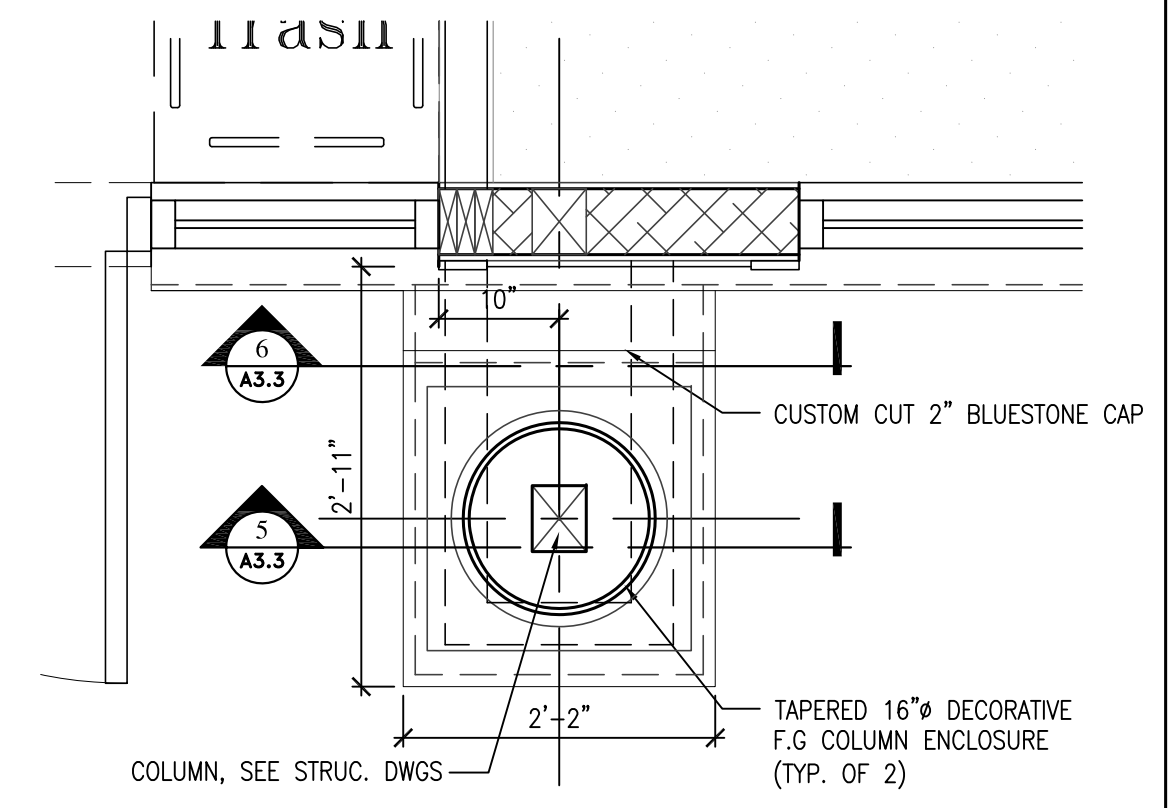
COPYRIGHT
Reuse or reproduction of the contents of this document is not permitted without written permission of ALPHA ARCHITECTS



Portland Property Holdings LLC
2282 Congress Street
Portland, ME. 04102



WD 2x4 STUD WALL
NOT RATED
WD 2x6 STUD WALL
NOT RATED



1 COLUMN / PILLASTER DETAIL
A1.1 SCALE: 3/4" = 1'-0"

ABBREVIATIONS:

- C.O = CASED OPENING w/ 1x3 FLAT CASING w/ EASED EDGES
- LP = ADA LOOP PULL
- L = ADA LEVER
- CL = DOOR CLOSER
- TTDB = THUMB TURN DEAD BOLT
- DS = DOOR STOP
- PP = PUSH PLATE
- KP = KICK PLATE
- VP = VISION PANEL
- WS = WEATHER STRIPPING SYSTEM
- xS = (x = #) SHELVES

DOOR NO.	LOCATION	TYPE	MAT.	DOOR SIZE			HARDWARE	REMARKS
				W	H	T		
100a	CASHIER	-	WOOD	(2)14	210	-	-	DBL. ACTION
100b	CASHIER	-	WOOD	(2)14	210	-	-	DBL. ACTION
101a	MAIN ENTRY	-	ALUM.	60	70	-	ADA PULL, CL, WS, TTDB	STOREFRONT SYSTEM
101b	MAIN ENTRY	-	ALUM.	60	70	-	ADA PULL, CL, WS, TTDB	STOREFRONT SYSTEM
102a	SIDE ENTRY	-	ALUM.	60	70	-	ADA PULL, CL, WS, TTDB	STOREFRONT SYSTEM
103a	BEER CAVE	-	ALUM.	60	70	-	ADA PULL, CL, WS	GLASS COOLER DOOR
103b	BEER CAVE	-	ALUM.	50	70	-	ADA PULL, CL, WS	GLASS COOLER DOOR
104a	FREEZER	-	COOLER	30	70	-	ADA PULL, CL, WS	-
105a	COOLER	-	COOLER	30	70	-	ADA PULL, CL, WS	-
106a	SERVICE ENTRY	-	INSUL. METAL	30	70	-	CB, CL, WS, PEEP	-
106b	HALL 1	-	WOOD	30	68	-	LP, CL, PP, KP, DS	-
107a	WOMENS	-	WOOD	30	68	-	LP, CL, PP, KP, DS	-
108a	MENS	-	WOOD	30	68	-	LP, CL, PP, KP, DS	-
109a	REAR EGRESS	-	INSUL. METAL	36	70	-	CB, CL, WS, PEEP	-
109b	FOOD PREP	-	PLAM	30	68	-	PP, KP, VP	DBL. ACTION
111a	ELEC. ROOM	-	WOOD	30	68	-	L, DS	-
112a	OFFICE	-	WOOD	30	68	-	L, DS, COAT HOOK	-

FIRST FLOOR PLAN
SCALE: 1/4" = 1'-0"
3871 SF GROSS

NOTE: ALL INTERIOR PARTITIONS TO BE TYPE NA U.O.N.

JOB: 12132

ISSUE DATE	
PRELIM	03-27-13
P BOARD	-
SFMO 2	10-16-15
CD's	-
REV. 1	10-16-15
PRINT	10-16-15

FIRST FLOOR PLAN
A1.1

10-16-15