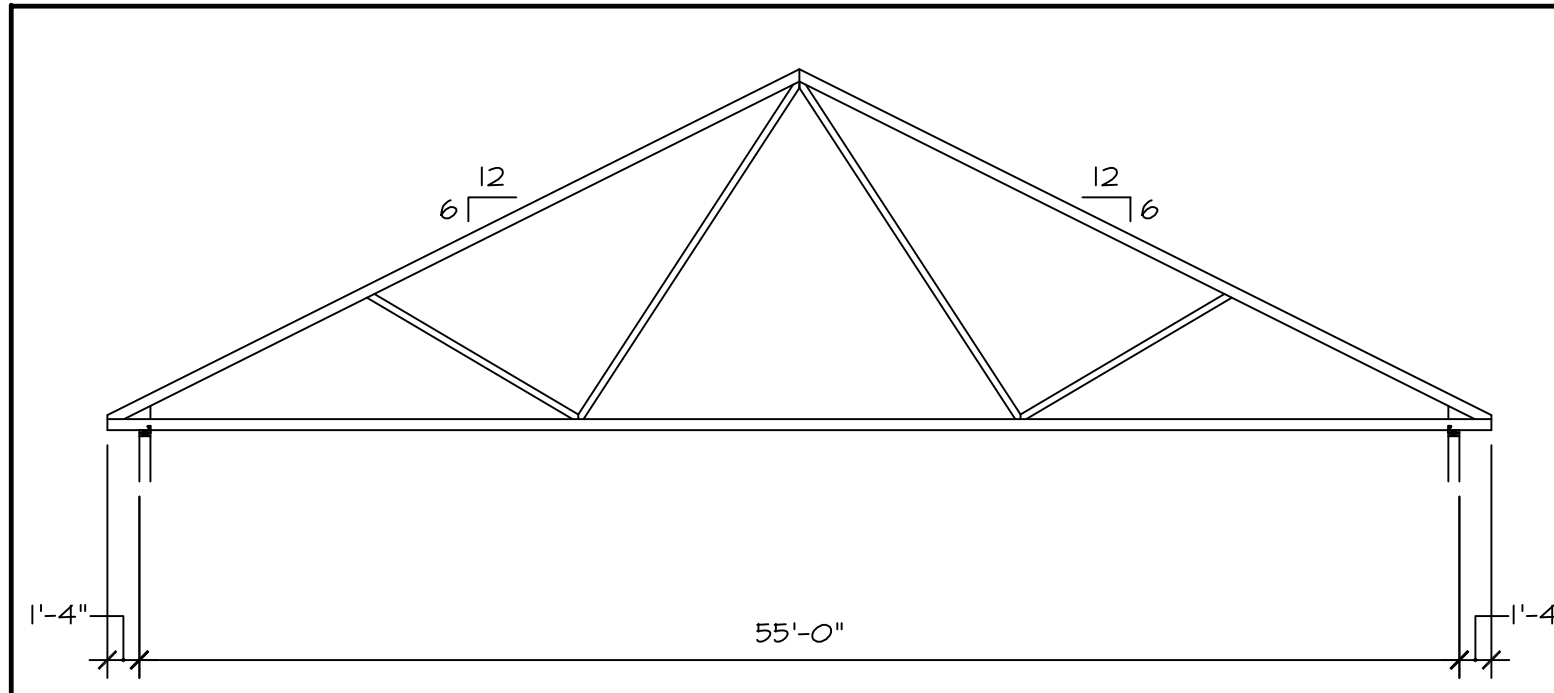


**Portland Property Holdings LLC**  
 2282 Congress Street  
 Portland, ME 04101

JOB: 13026

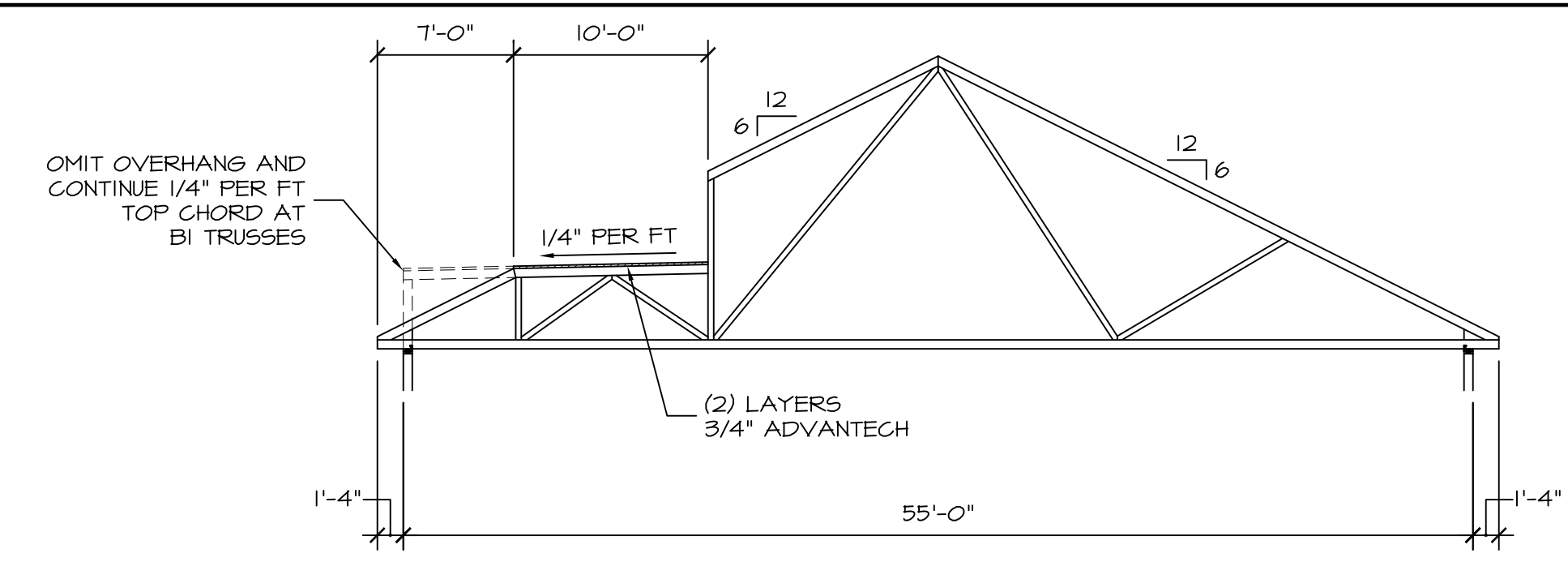
ISSUE DATE	
PRELIM	-
P BOARD	-
SFMO	-
CD's	09-12-14
REV. 2	07-08-15
PRINT	07-08-15

S3.3



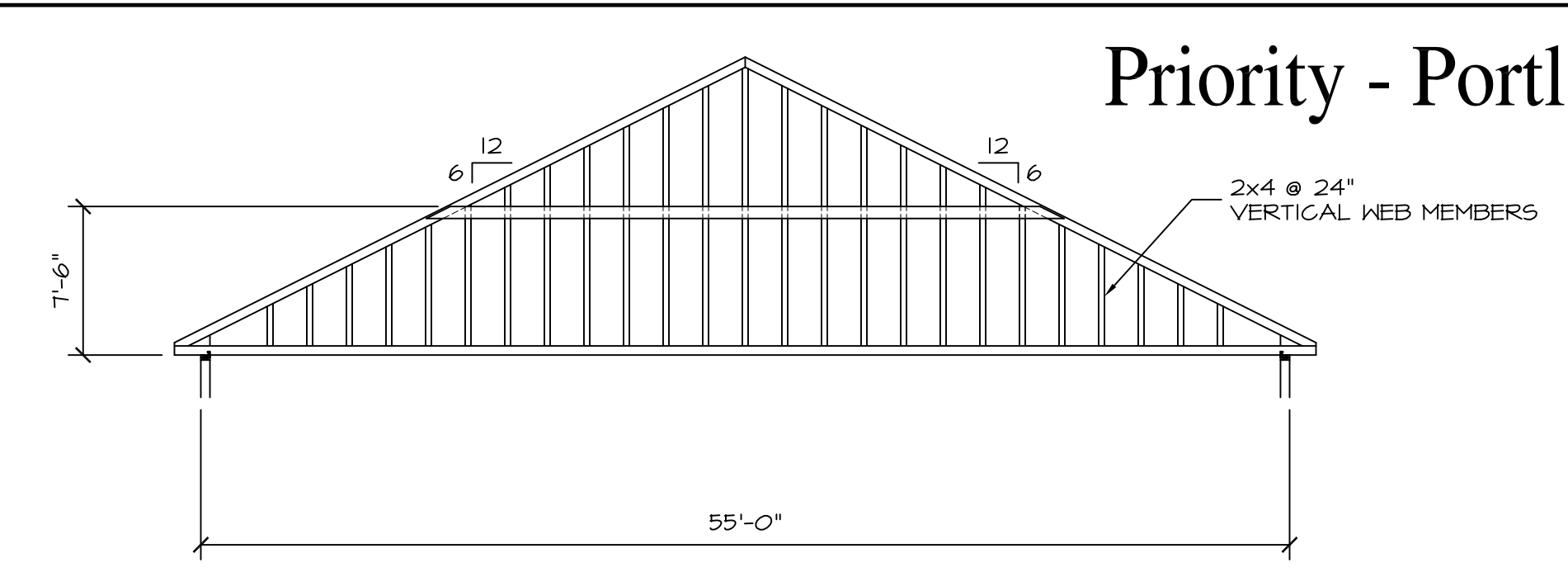
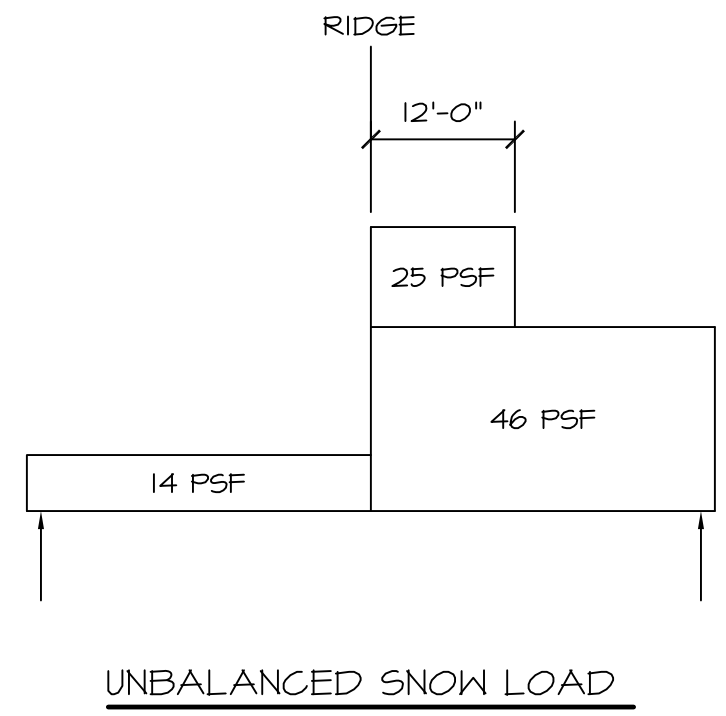
**ROOF TRUSS TYPE A ELEVATION**  
1/8"=1'-0"

WEB CONFIGURATION BY TRUSS DESIGNER. SEE S3.2 FOR OVERHANG CONFIGURATION. OMIT OVERHANG AT STORE FRONT ENTRY. TRUSS LOADING CRITERIA:  
 TOP CHORD  
 DEAD LOAD 10 PSF  
 UNIFORM SNOW LOAD 46 PSF  
 UNBALANCED SNOW LOAD SEE DIAGRAM  
 BOTTOM CHORD  
 DEAD LOAD 10 PSF

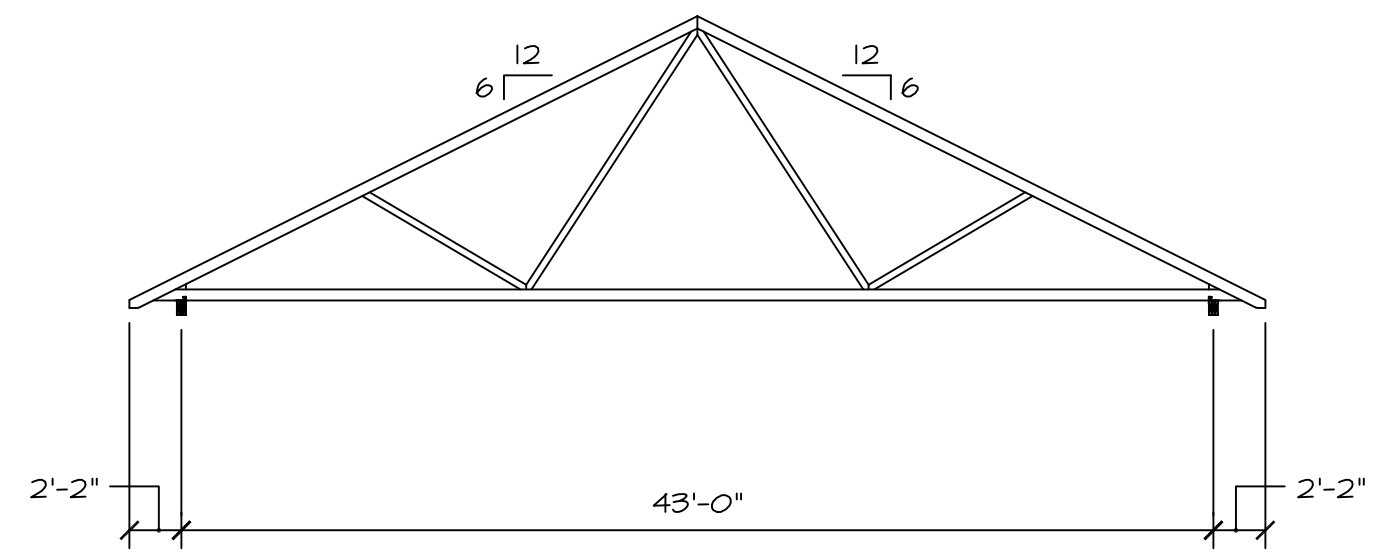


**ROOF TRUSS TYPE B ELEVATION**  
1/8"=1'-0"

WEB CONFIGURATION BY TRUSS DESIGNER. SEE S3.2 FOR OVERHANG CONFIGURATION. TRUSS LOADING CRITERIA:  
 TOP CHORD  
 DEAD LOAD 10 PSF  
 LIVE LOAD 15 PSF AT MECH. AREA  
 UNIFORM SNOW LOAD 75 PSF AT MECH. AREA  
 UNBALANCED SNOW LOAD 46 PSF  
 BOTTOM CHORD  
 DEAD LOAD 10 PSF

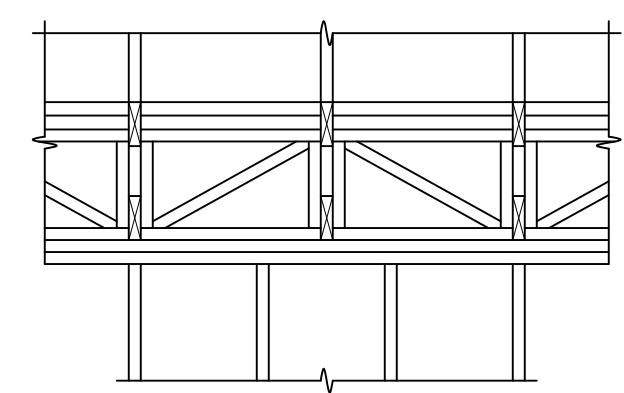


**BUILDING GABLE TRUSS INTERIOR ELEVATION**  
1/8"=1'-0"



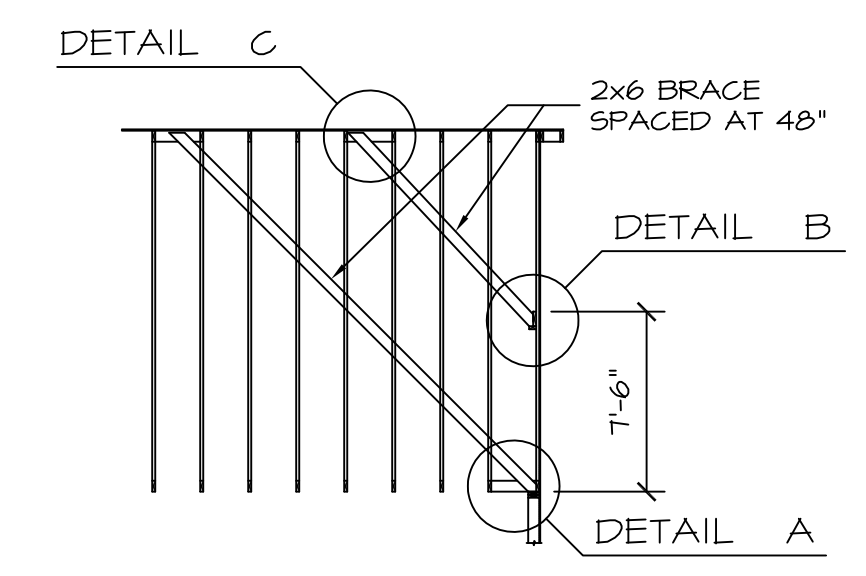
**ROOF TRUSS TYPE C ELEVATION**  
1/8"=1'-0"

WEB CONFIGURATION BY TRUSS DESIGNER. SEE S3.2 FOR OVERHANG CONFIGURATION. OMIT OVERHANG AT STORE FRONT ENTRY. TRUSS LOADING CRITERIA:  
 TOP CHORD  
 DEAD LOAD 10 PSF  
 UNIFORM SNOW LOAD 46 PSF  
 UNBALANCED SNOW LOAD SEE DIAGRAM  
 BOTTOM CHORD  
 DEAD LOAD 10 PSF

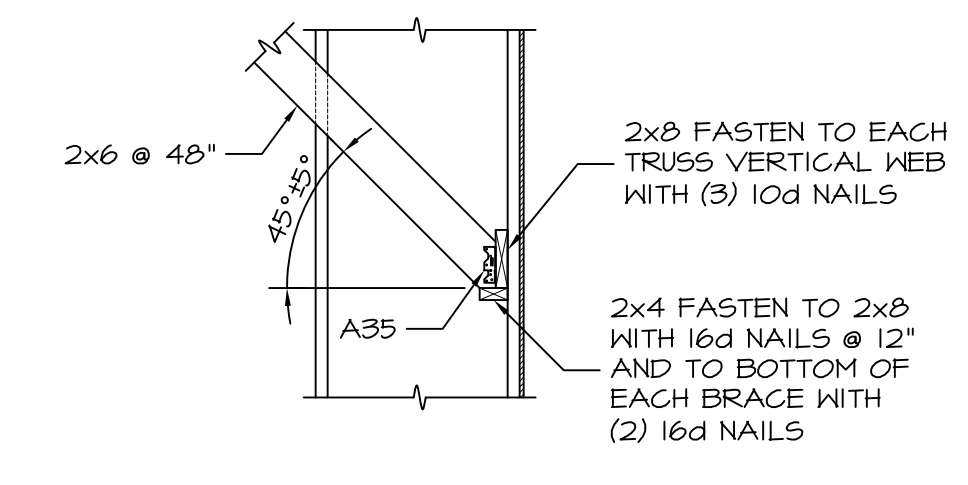


**BLOCKING PANEL ELEVATION**  
1/2"=1'-0"

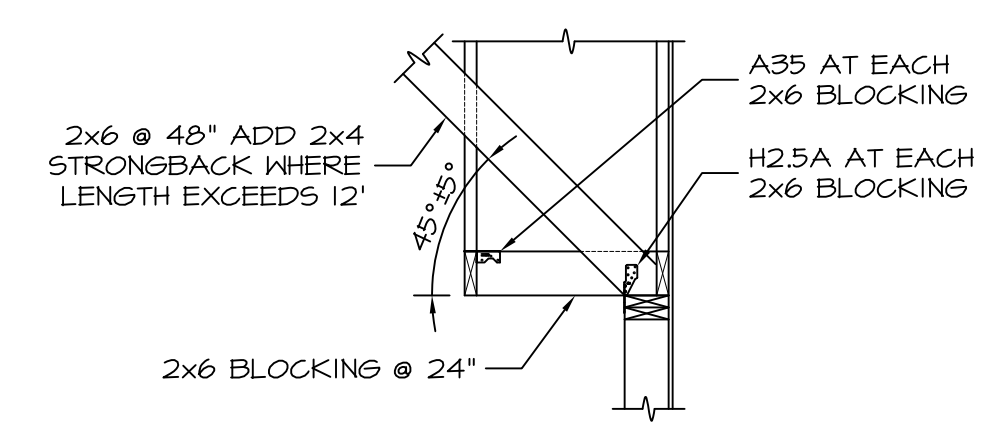
LOCATE BLOCKING PANELS AT ALL SHEARWALLS AND AT 96" BETWEEN SHEARWALLS



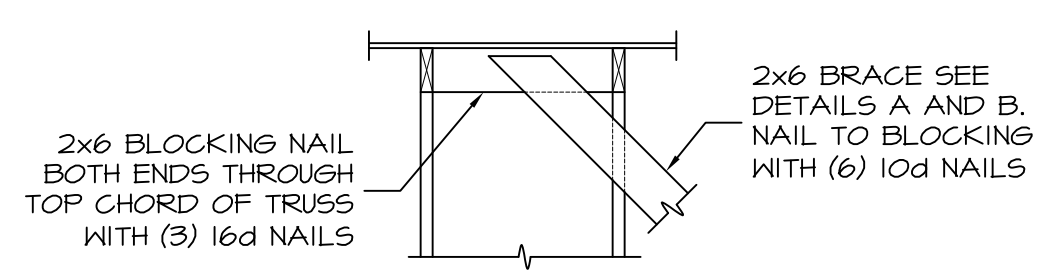
**GABLE BRACING SECTION**  
1/8"=1'-0"



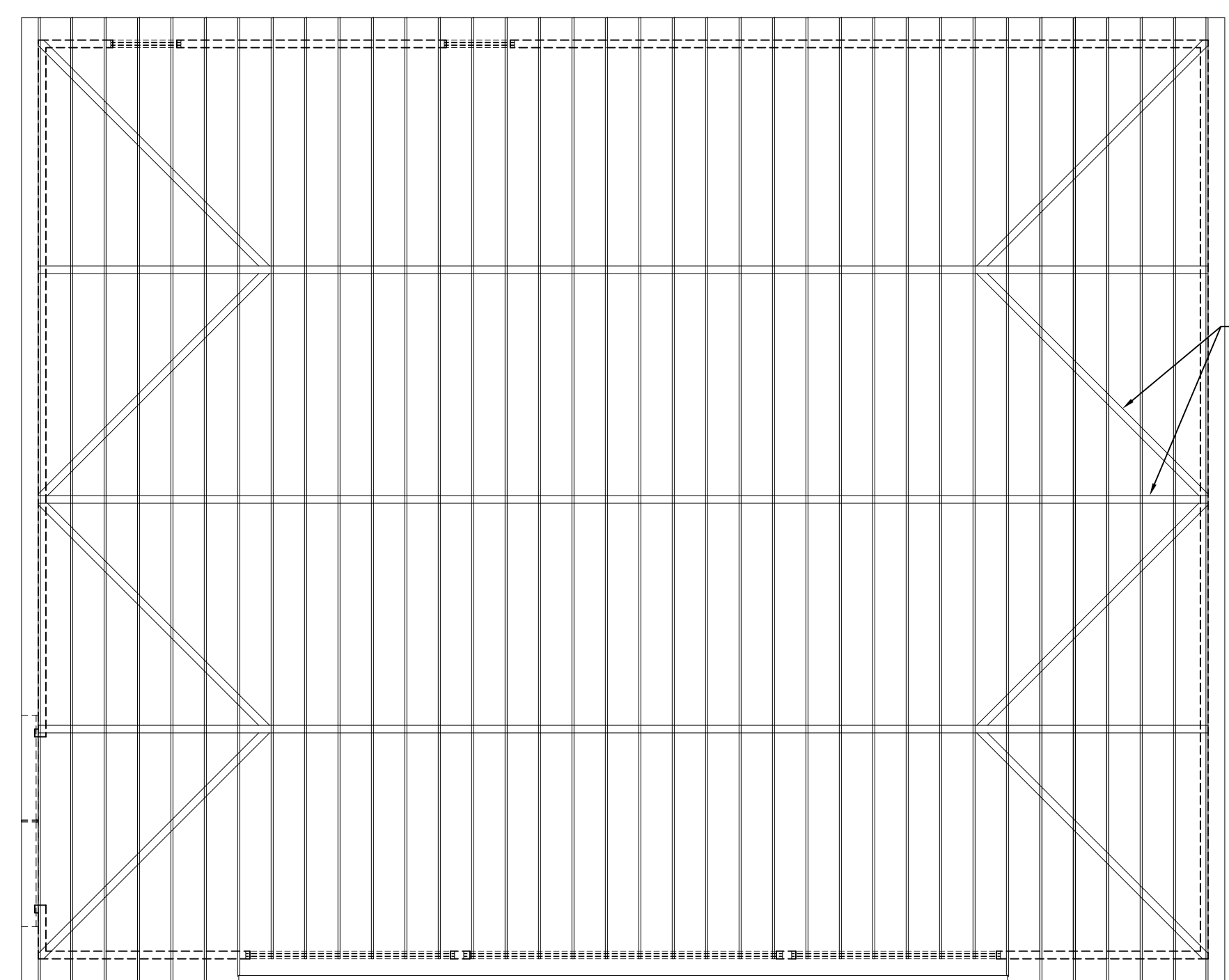
**DETAIL B**  
1/2"=1'-0"  
AT BUILDING GABLE



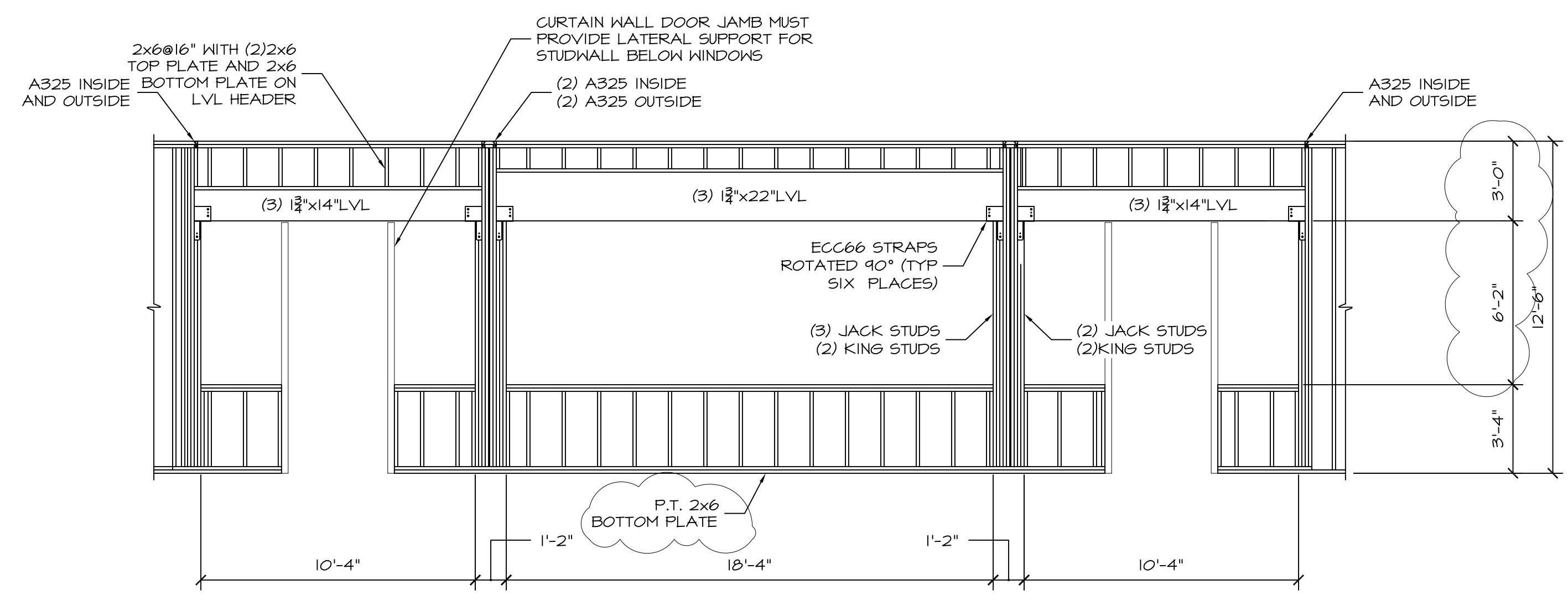
**DETAIL A**  
1/2"=1'-0"



**DETAIL C**  
1/2"=1'-0"



**TRUSS BOTTOM CHORD BRACING PLAN**  
1/8"=1'-0"



**FRONT CURTAINWALL ELEVATION I**  
1/4"=1'-0"

VERIFY ALL ROUGH OPENING DIMENSIONS WITH STOREFRONT SUPPLIER PRIOR TO FRAMING WALL.  
 CURTAINWALL SUPPLIER MUST PROVIDE SLIP TRACK OR DEFLECTION CLIPS TO ALLOW FOR 3/4" VERTICAL DEFLECTION OF HEADERS.  
 FRAMING HARDWARE BY SIMPSON STRONGTIE.