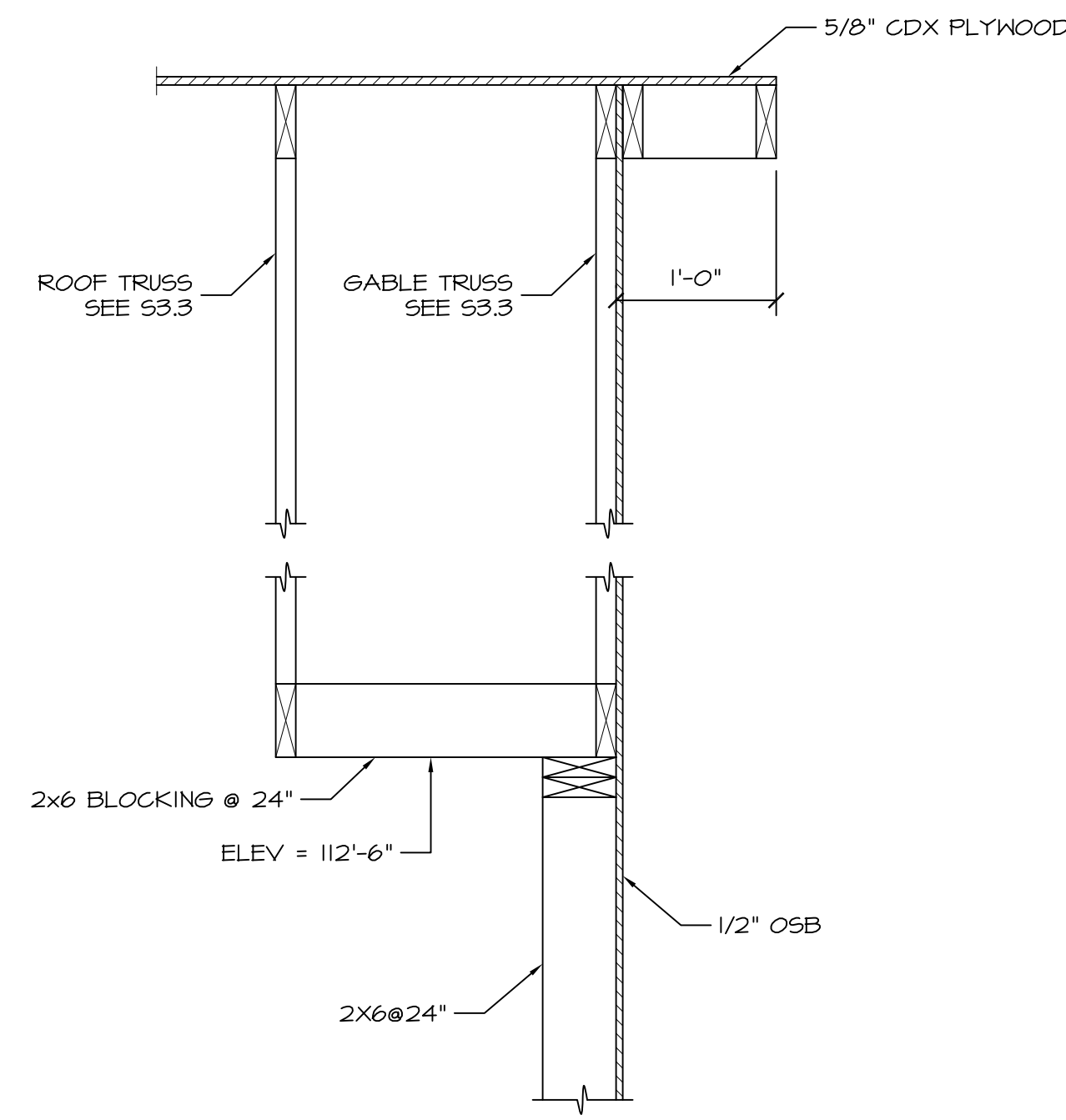
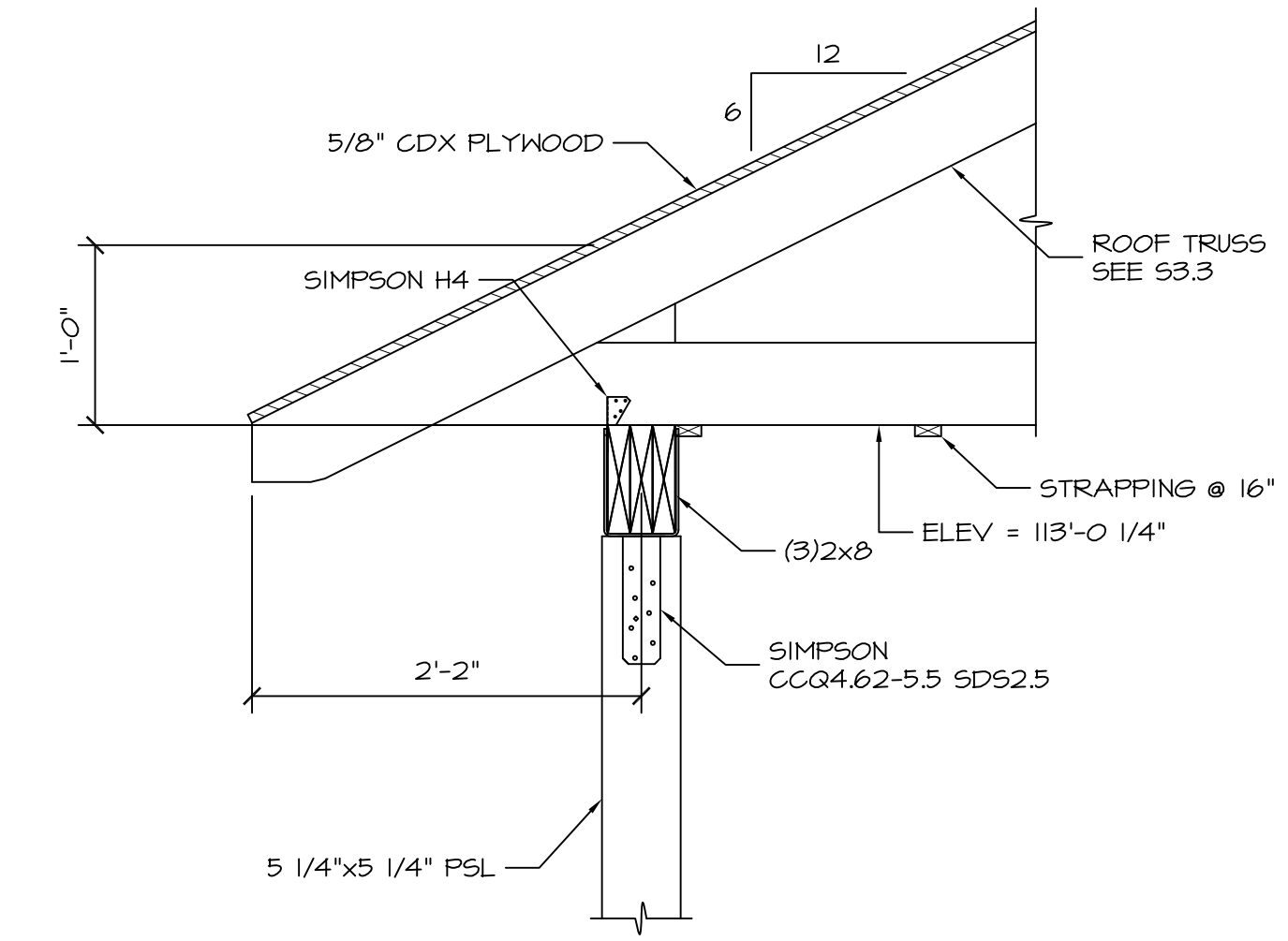


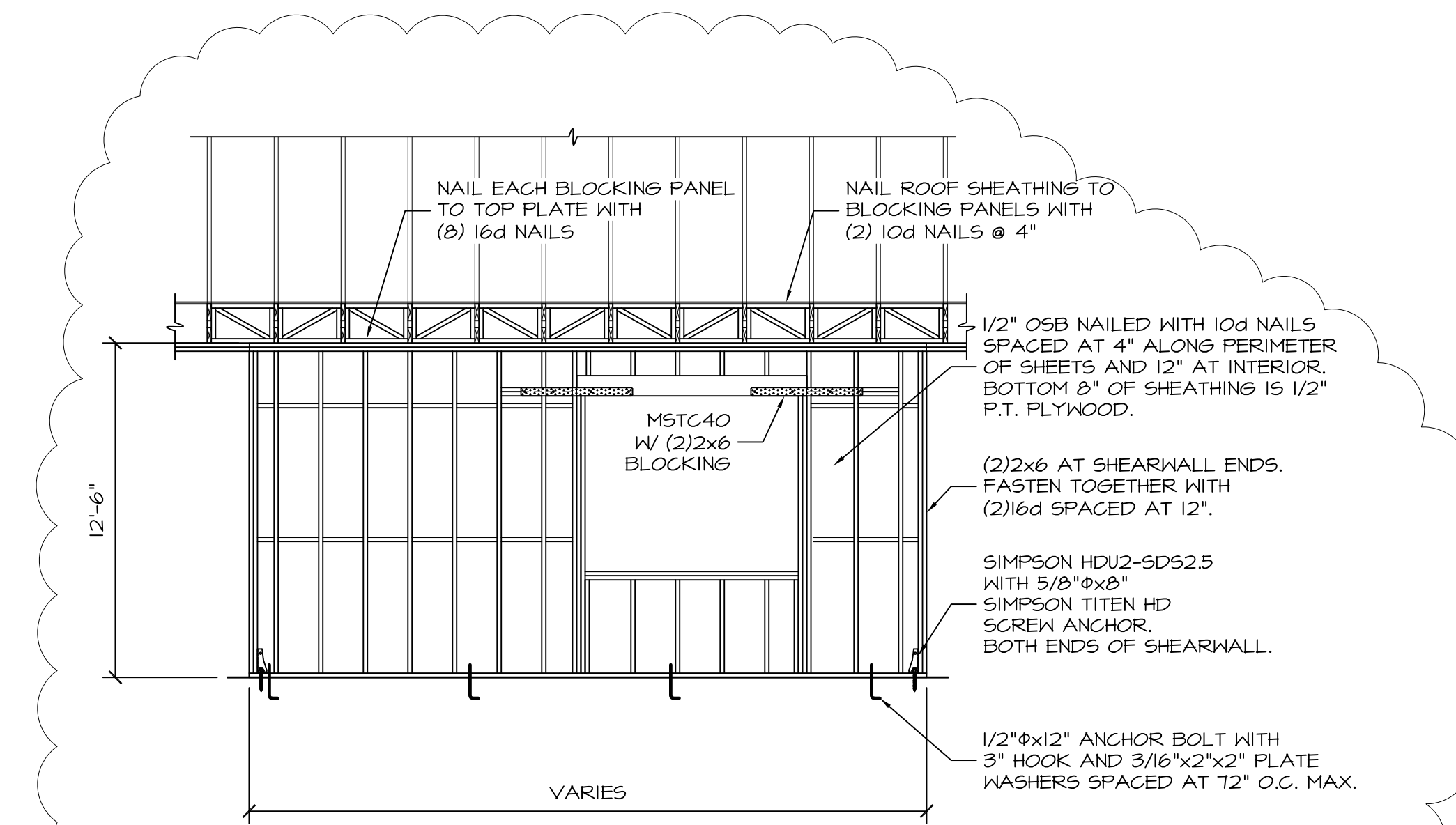
SECTION 1
1"=1'-0" S2.1



SECTION 2
1"=1'-0" S2.1



SECTION 3
1"=1'-0" S2.1

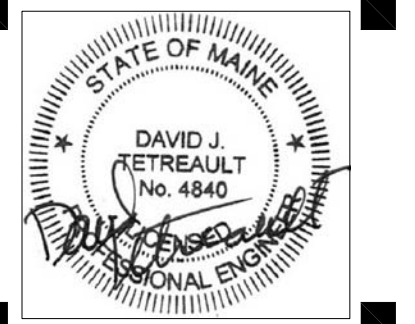
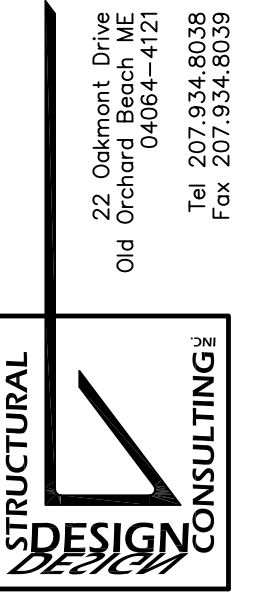


SHEARWALL ELEVATION
1/4"=1'-0"

WALL FRAMING IS 2x6@16" STUDS, DOUBLE 2x6 TOP PLATE WITH JOINTS STAGGERED AT 48" MIN., P.T. 2x6 BOTTOM PLATE AND 2x6 BLOCKING SPACED AT 48".

TYPICAL AT EXTERIOR WALLS. SEE FOUNDATION AND ROOF FRAMING PLANS FOR LOCATIONS AND LENGTHS.

SEE ARCHITECTURAL DRAWINGS FOR SIZE AND LOCATION OF WINDOW AT NORTH SHEARWALL OF EAST ELEVATION.



Portland Property Holdings LLC
2282 Congress Street
Portland, ME 04101

JOB: 13026

ISSUE DATE	
PRELIM	-
P BOARD	-
SFMO	-
CD's	09-12-14
REV. 2	07-08-15
PRINT	07-08-15

S3.2