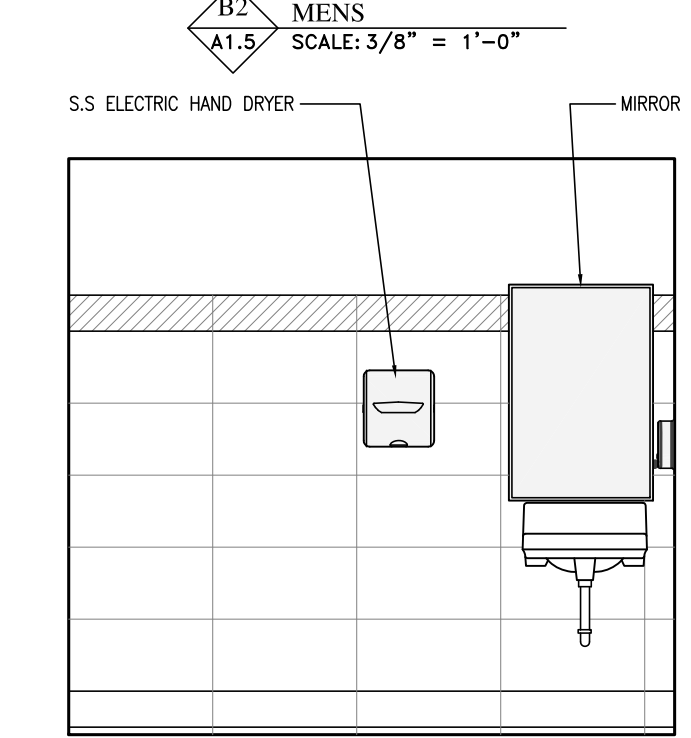
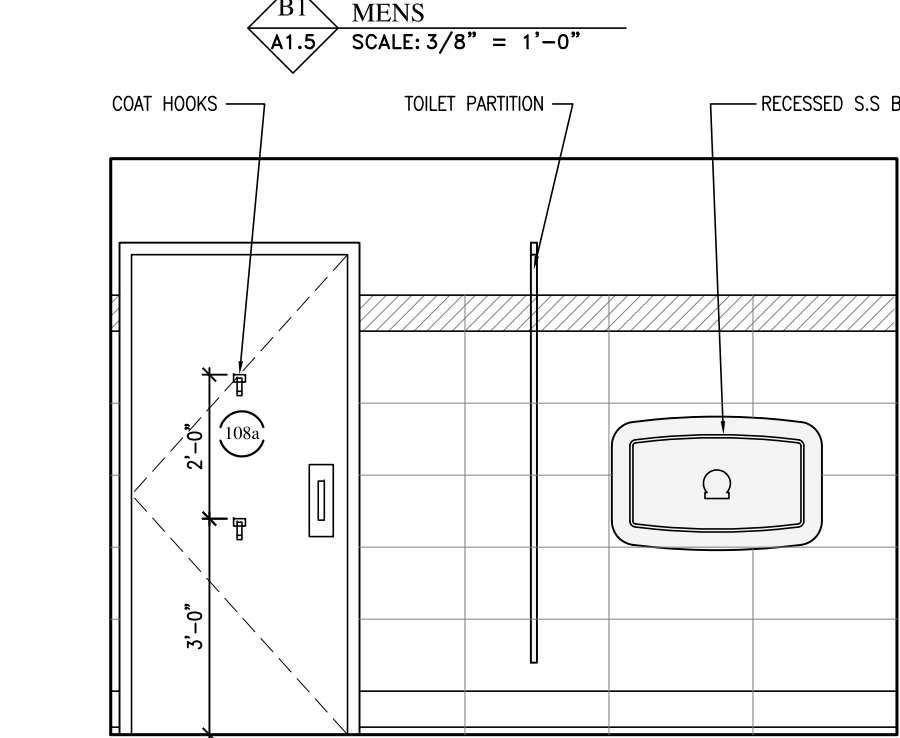
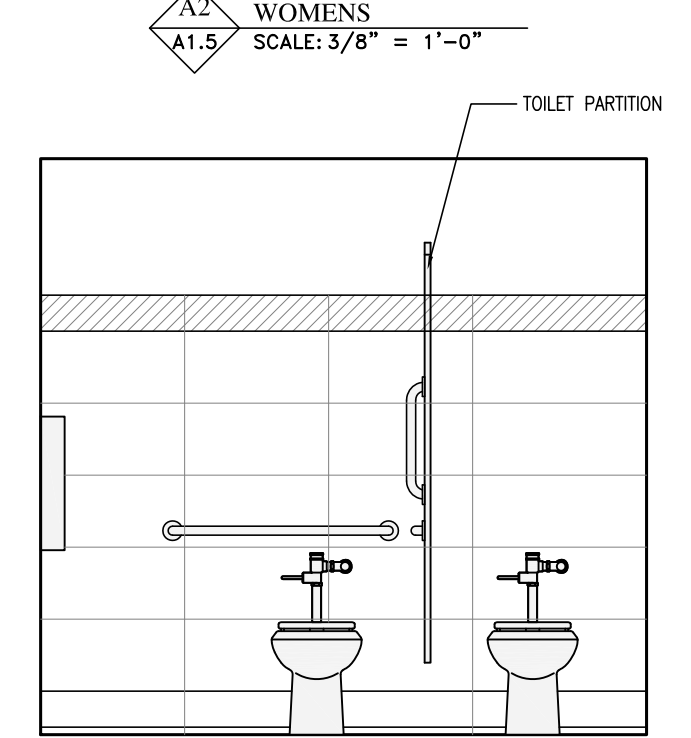
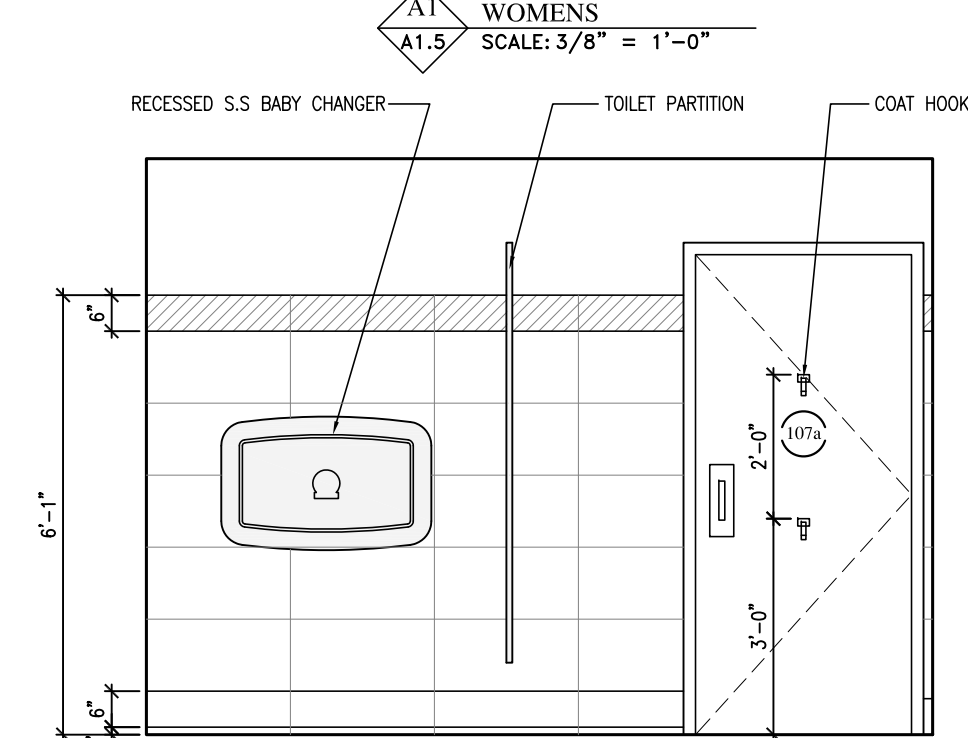
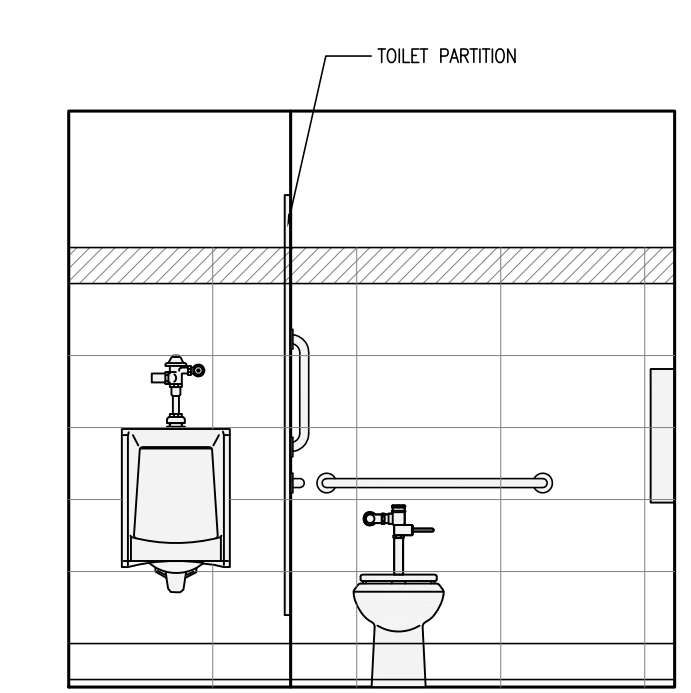
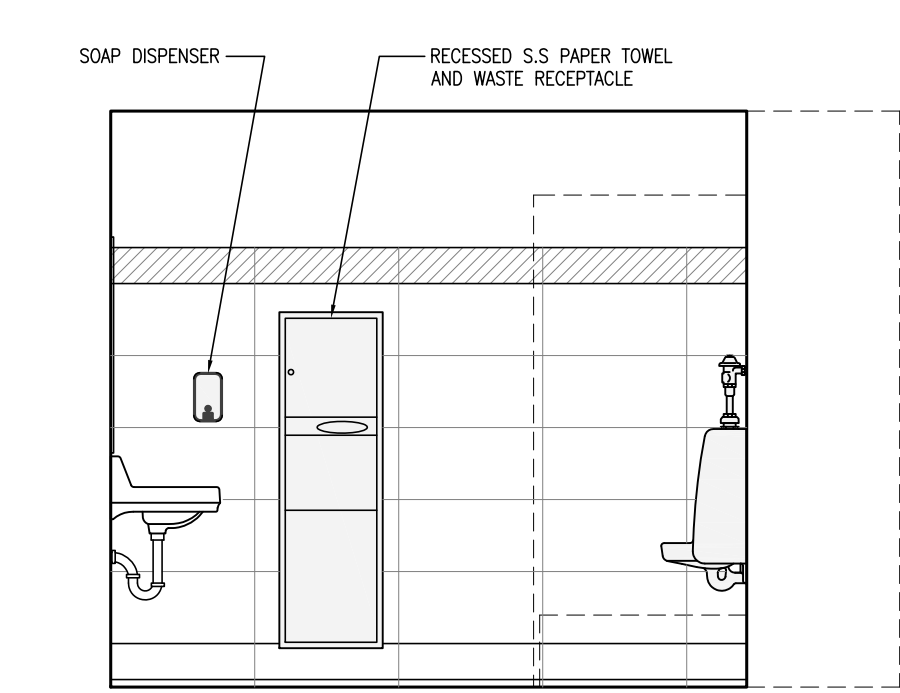
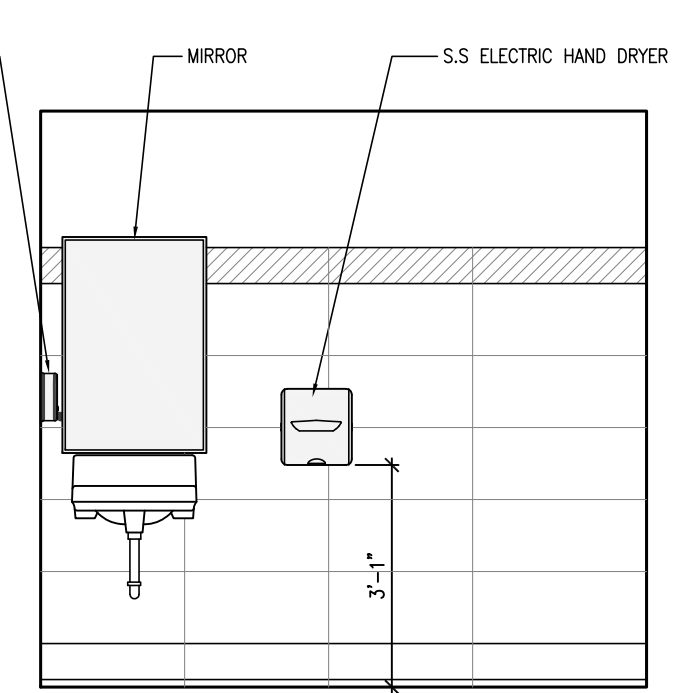
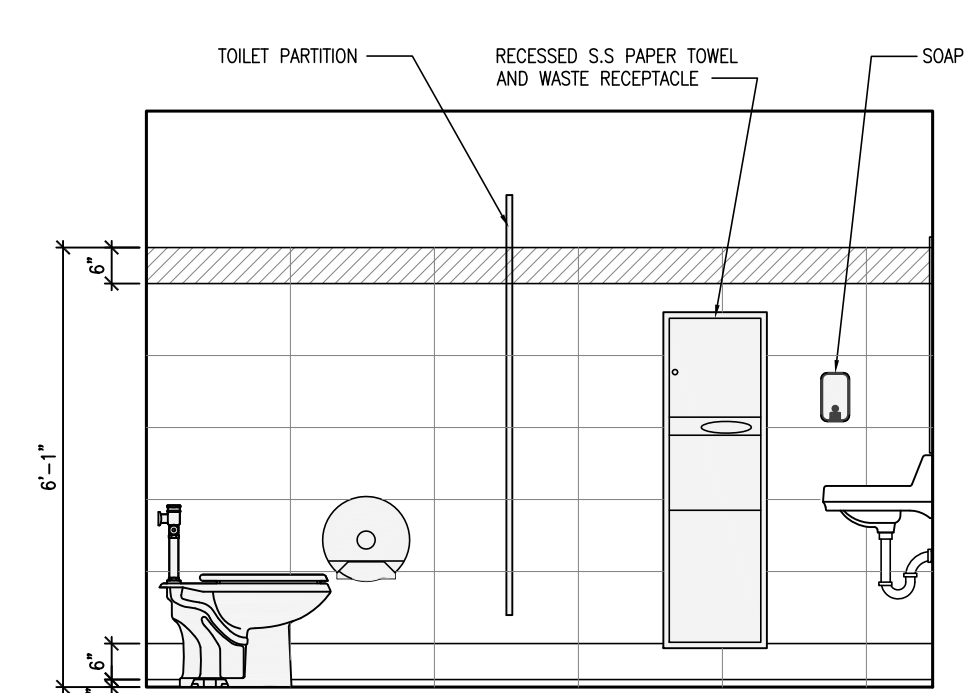
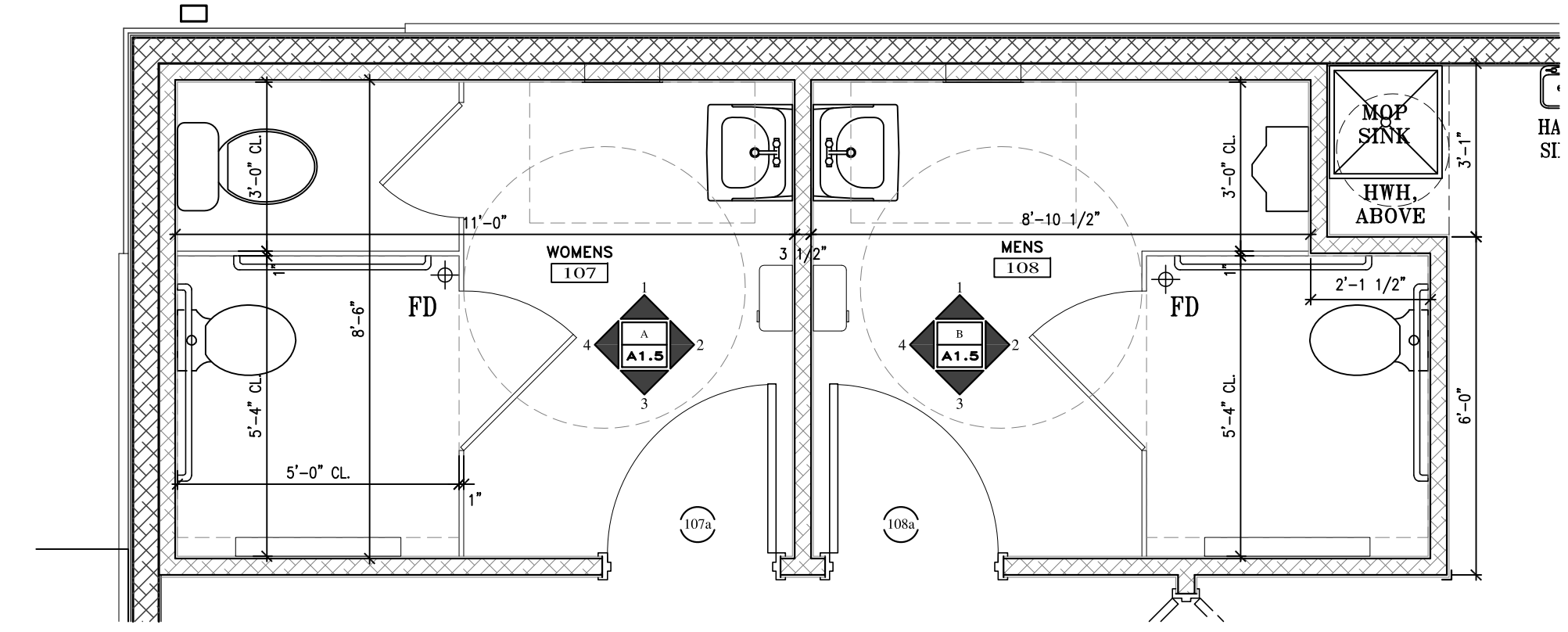
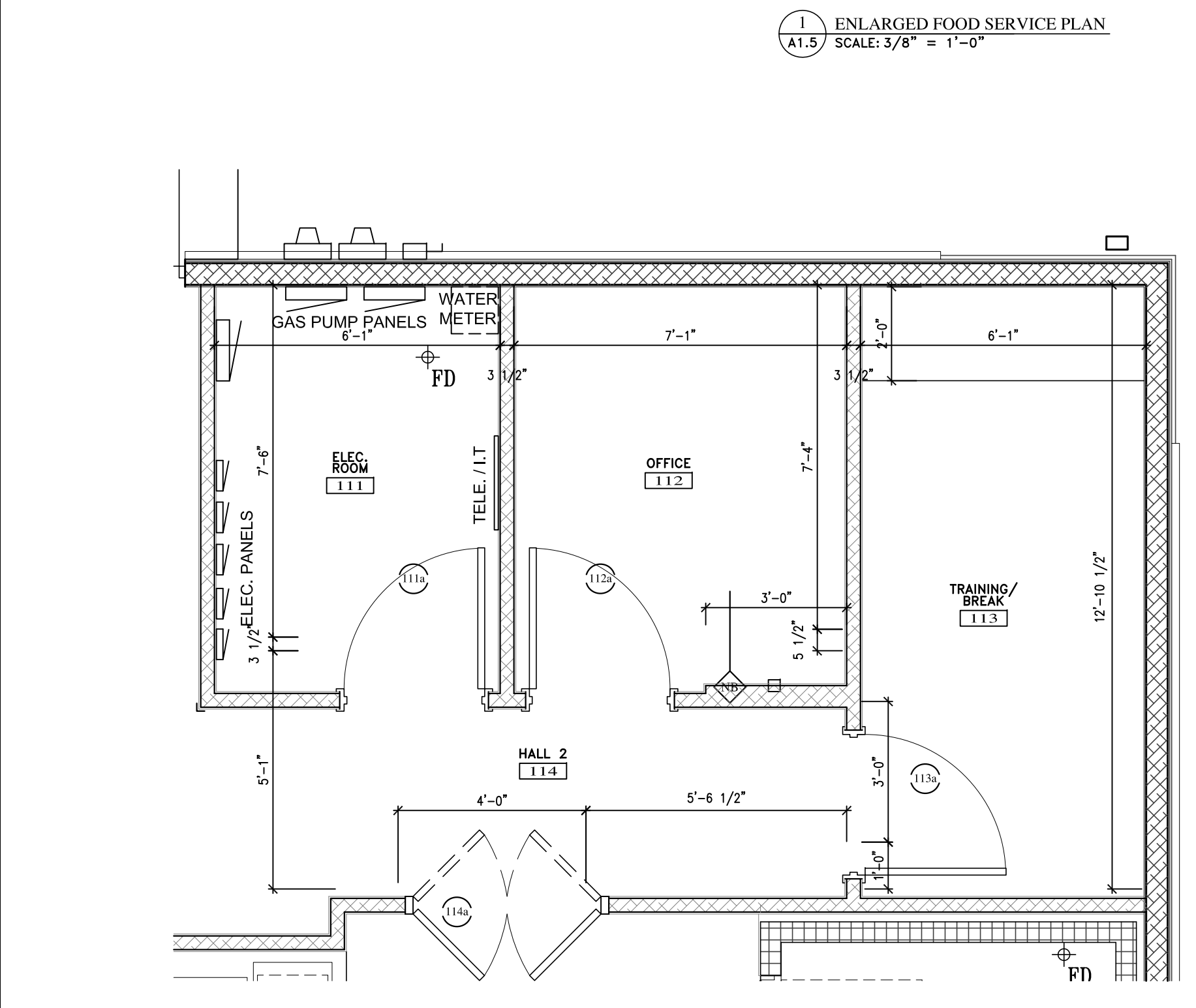
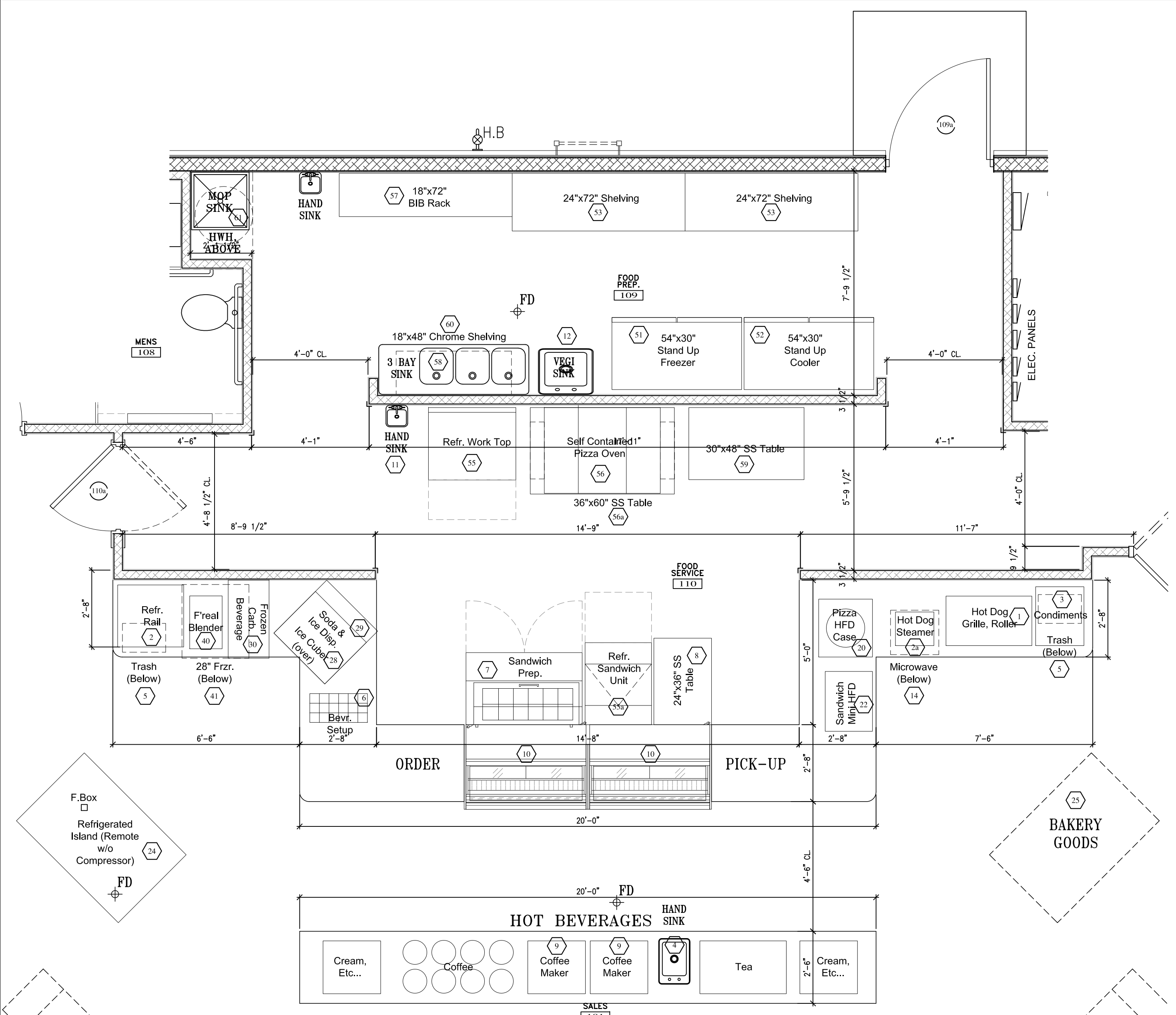


ALPHAarchitects
17 CHESTNUT STREET
PORTLAND, ME 04101
PHONE: 207.761.9500
FAX: 207.761.9595
design@alphaarchitects.com

Portland 'C-Store' EQUIPMENT & POWER SCHEDULE

ITEM	DESCRIPTION	SIZE (W) x (D) x (H)	VOLTS	AMPS	LOAD CB	PHASE/WIRES	PLUG TYPE	MTG. HGT.	MOUNTING CAB/ WALL	REMARKS
1	Hot Dog Grille (Roller)	35.75 x 20.63 x 12.5								"Star" 50SC
2	Refrigerated Rail	27.5 x 25.81 x 8.5								"APW Wyott" RTR-8
2a	Hot Dog Steamer	16 x 14 x 20.5								"APW Wyott" DS-1AP
3	Condiment Station									
4	Hand Sink (Drop In)									
5	Trash Can	±12 x ±18								-TBD- by G.C
6	Beverage Setup	±12 x ±24								-TBD- by G.C
7	Sandwich Prep.									
8	24x36 S.S Table									
9	Coffee Maker									
10	Grab-n-Go Cooler									
11	Hand Sink (Wall Mount)									
12	Veg Sink (Wall Mount)									
14	Microwave Oven	20.13 x 18.5 x 13.25								"Sharp" R-22GT
20	Pizza HFD Case	22.42 x 24.11 x 27.54								"Hatco" FSD-1
22	Sandwich Mini HFD	24.9 x 19.7 x 15								"Vendo" HFDxxxx
24	Refr. Display Case	60 x 40 x 55								"Federal Ind." IMSS60SC-2
28	Soda & Ice Dispenser	30 x 31.13 x 40.88								"Servend" FRP-250 w/o Ice
29	Ice Cuber	30 x 24.5 x 21.5								"Manitowoc" ID-0606A
30	Frozen Carb. Beverage	17 x 32.5 x 43.7								"Cornelius Ice" 621260142
40	F'real Blender	13.5 x 22 x 42.5								"F'real" FRLB4
41	F'real 28" Freezer	27.9 x 30.7 x 32.5								"F'real" 07-CSGF-X1-FxC2
51	Stand Up Freezer	±54 x 30 x 78								
52	Stand Up Cooler	±54 x 30 x 78								
53	Shelving (24 x 72)	72 x 18								
54										
55	Refr. Work Top	36.38 x 30.13 x 33.38								"True Food Serv" TWT-36-ADA
55a	Refr. Sandwich Unit	27.63 x 34.13 x 40.38								"True Food Serv" TSSU-27-12M-B
56	Conveyor Oven	48.3 x 35.7 x 17.0								"Turbochef" HHC2020 VNTLSS
56a	Work Table	72 x 36 x 40.5								"Advance Tabco" KMS-366
57	Bib Rack	±18 x ±72								"Advance Bevr. Sol" ABSBIB24FR24
58	3 Compartment Sink	62.5 x 20.75 x 12d								"Advance Tabco" FE-3-1515-15R-X
59	Work Table	48 x 30 x 40.5								
60	(2) Chrome Shelves	48 x 18								"Merit" FOR184BWC
61	Mop Sink	24 x 24								-TBD- by G.C



Portland Property Holdings LLC
2282 Congress Street
Portland, ME. 04102

JOB: 12132

ISSUE DATE	
PRELIM	03-27-13
P BOARD	-
SFMO	09-04-14
CD's	-
REV. 1	-
PRINT	07-07-15

ENLARGED RESTROOMS & FOOD SERVICE PLANS

A1.5

07-07-15