

ALPHAarchitects  
17 CHESTNUT STREET  
PORTLAND, ME 04101  
PHONE: 207.761.9500  
FAX: 207.761.9595  
design@alphaarchitects.com

**COPYRIGHT**

Reuse or reproduction of the contents of this document is not permitted without written permission of ALPHA ARCHITECTS



**Portland Property Holdings LLC**  
2282 Congress Street  
Portland, ME. 04102

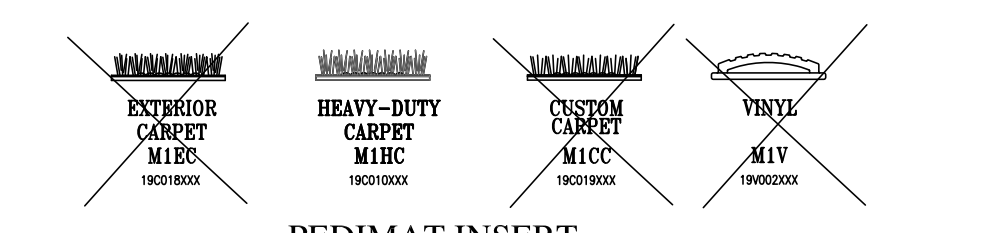
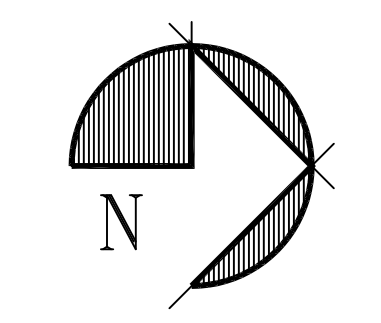
JOB: 12132

ISSUE DATE	
PRELIM	03-27-13
P BOARD	-
SFMO	09-04-14
CD's	-
REV. 1	-
PRINT	07-07-15

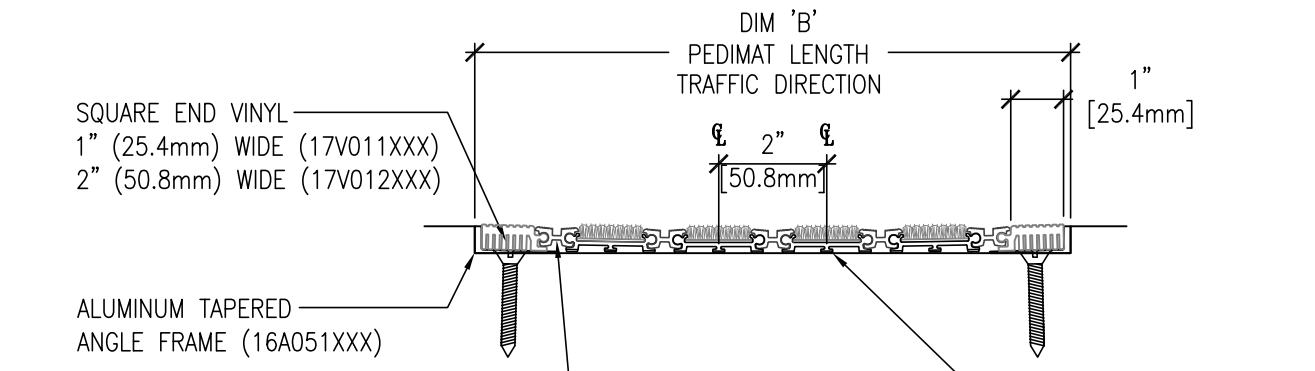
FIRST FLOOR FINISHES PLAN

**A1.4**

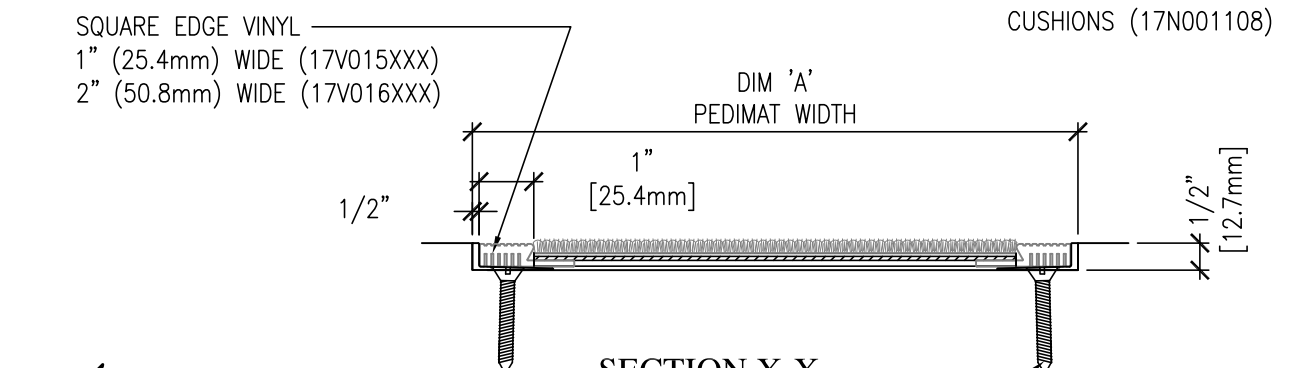
07-07-15



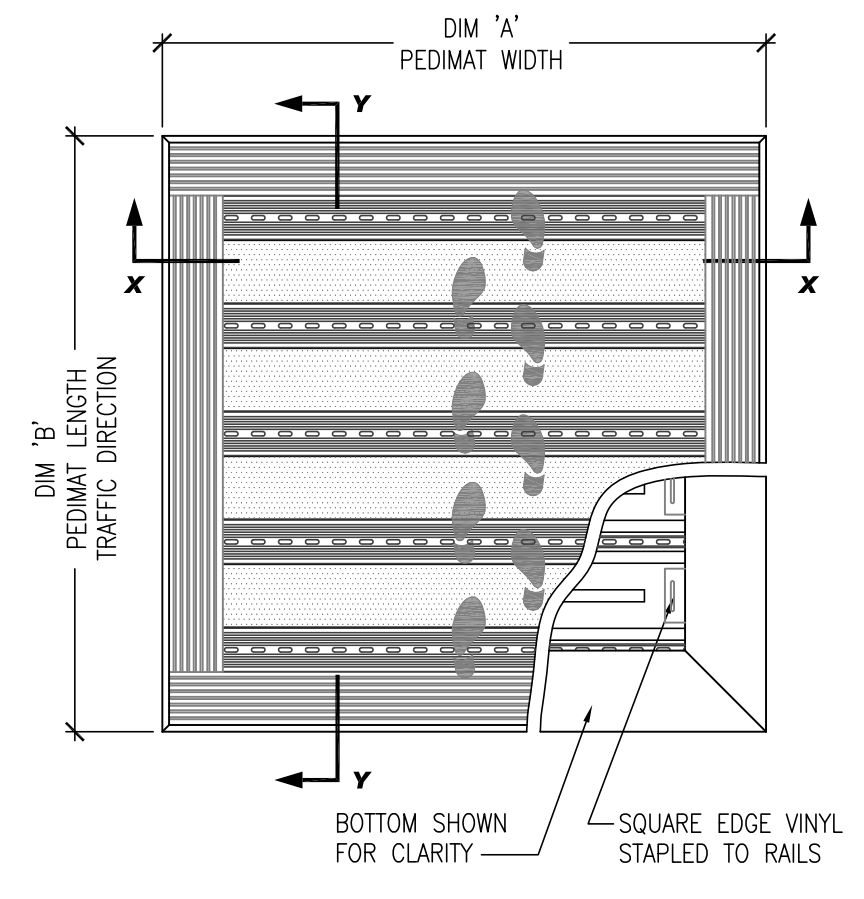
PEDIMAT INSERT  
SCALE: NTS



SECTION Y-Y  
SCALE: NTS



SECTION X-X  
SCALE: NTS

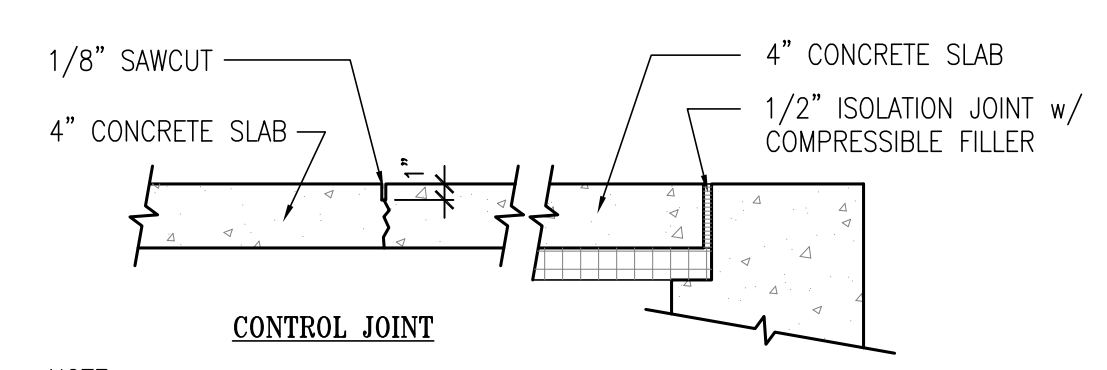


TYPICAL PLAN VIEW  
SCALE: 3/4" = 1'-0"

**NOTES:**

- \*ALL SURFACES IN CONTACT WITH MASONRY ARE TO RECEIVE A COAT OF ZINC CHROMATE PRIMER
- \*PLEASE VERIFY TRAFFIC DIRECTION
- \*PEDIMAT SHALL BE ABLE TO SUPPORT A 350 LB. ROLLING LOAD. LARGER LOADING MAY BE ACCOMMODATED. CONTACT C/S SALES WITH SPECIFIC LOADING REQUIREMENTS.
- \*MAX. SINGLE GRID SIZE NOT TO EXCEED 12'-0" (3.66M) IN WIDTH (DIM "A") OR 100 SQUARE FEET
- \*ADDITIONAL SPECIFICATIONS ARE CONTAINED IN THE LATEST C/S CATALOG OR AT C-SGROUP.COM AND ARE CONSIDERED PART OF THIS TRANSMITTAL.

PEDIMAT FLOOR MAT DETAILS  
SCALE: 3/4" = 1'-0"

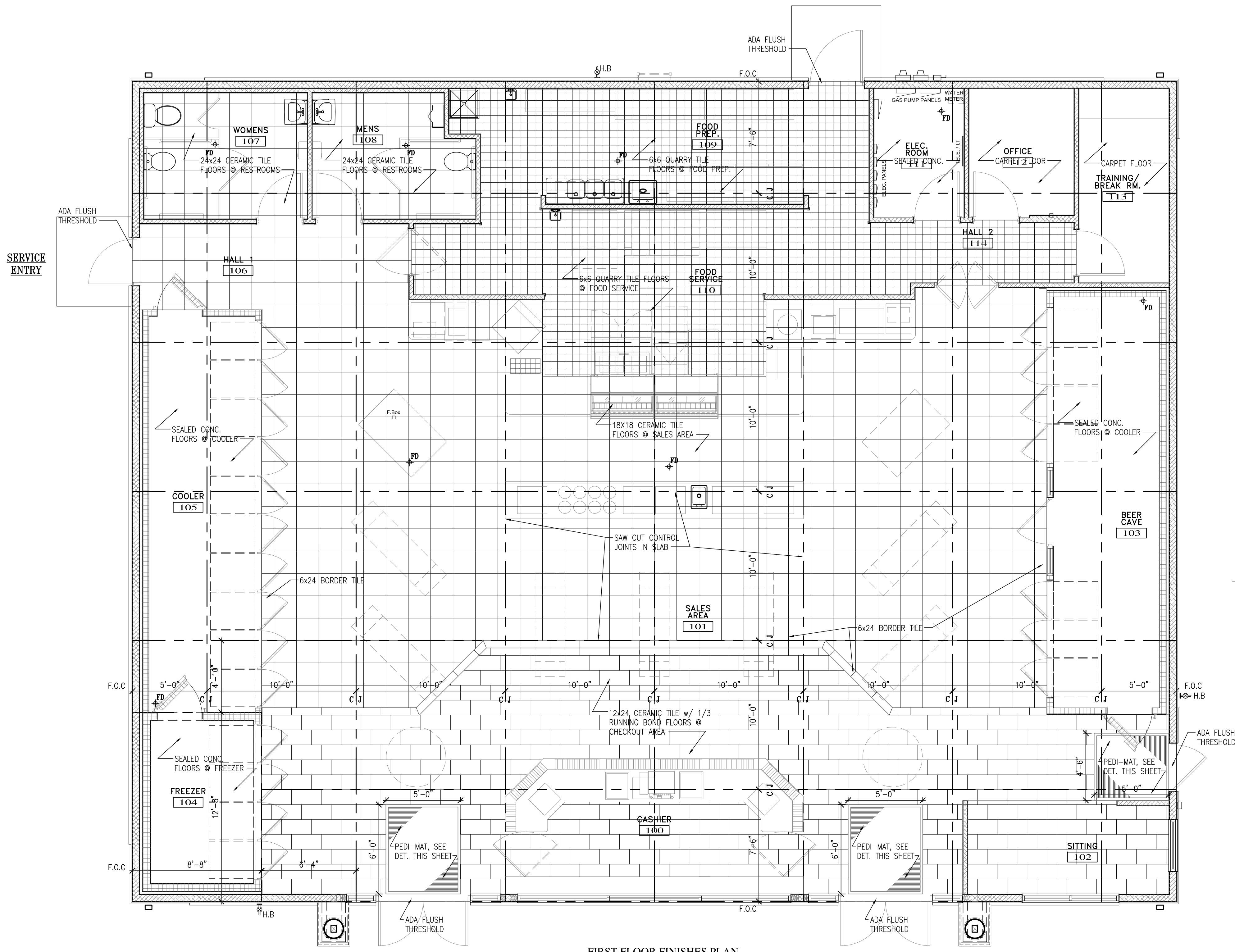


CONTROL JOINT PERIM. ISOLATION JOINT

TYP. FLOOR JOINT DETAILS  
SCALE: 1" = 1'-0"

**DEFINITIONS:**

- T-1 TILE TYPE 1
- T-2 TILE TYPE 2
- T-3 TILE TYPE 3
- T-4 TILE TYPE 4
- QT QUARRY TILE
- GROUT GROUT TYPE
- CTB CERAMIC TILE BASE
- VB VINYL BASE
- QTB QUARRY TILE BASE
- FRP FIBER REINFORCED PLASTIC
- P-1 PAINT TYPE 1
- P-2 PAINT TYPE 1
- P-3 PAINT TYPE 1
- SAT-2x2 SUSP. ACOUST. TILE
- SAT-2x2W SUSP. ACOUST. TILE (MOISTURE)



FIRST FLOOR FINISHES PLAN  
SCALE: 1/4" = 1'-0"

WASHROOM BASE COVE DETAIL  
SCALE: 3" = 1'-0"

CUSTOMER ENTRY

CUSTOMER ENTRY

CUSTOMER ENTRY