

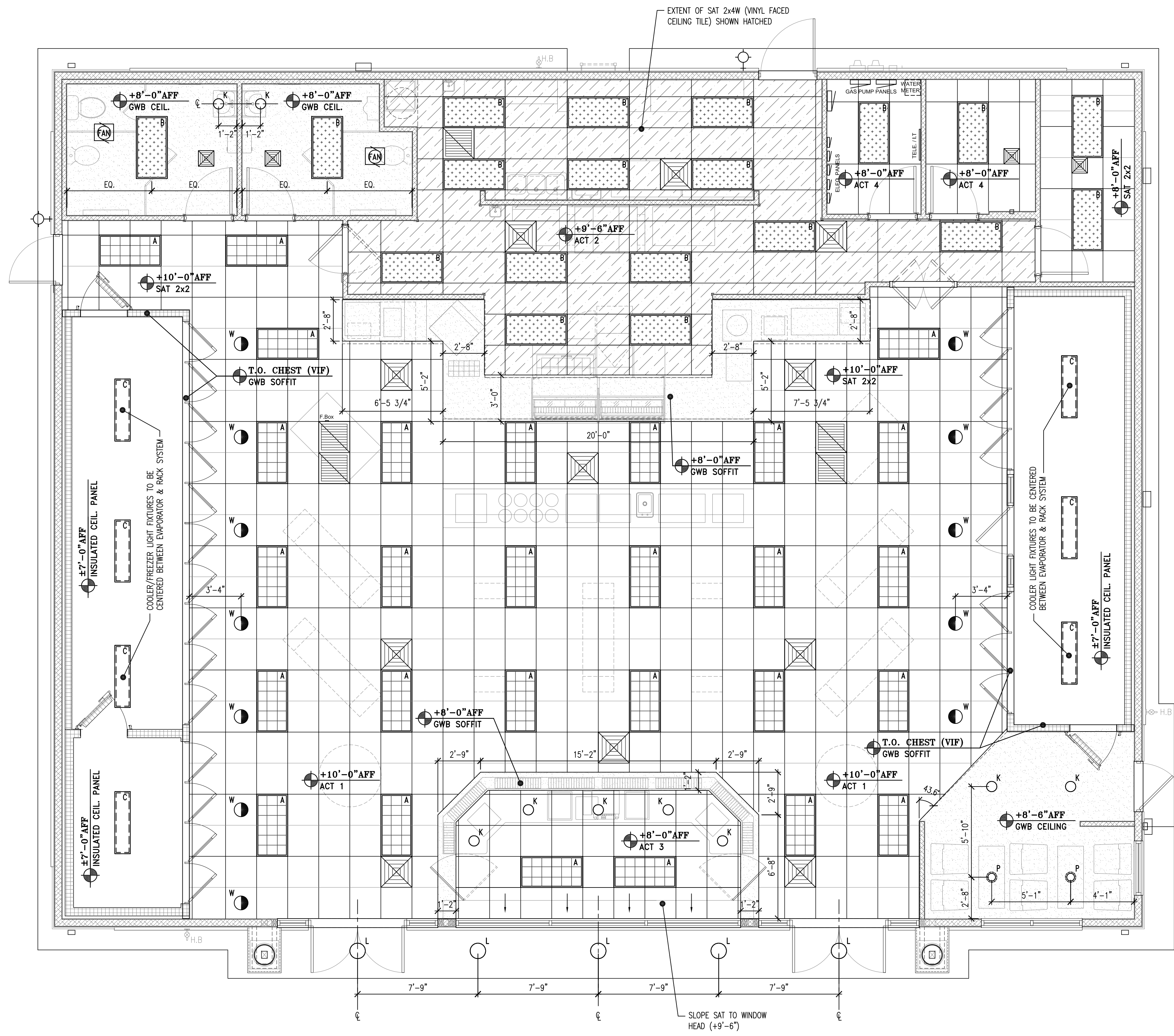
ALPHAarchitects
17 CHESTNUT STREET
PORTLAND, ME 04101
PHONE: 207.761.9500
FAX: 207.761.9595
design@alphaarchitects.com

COPYRIGHT

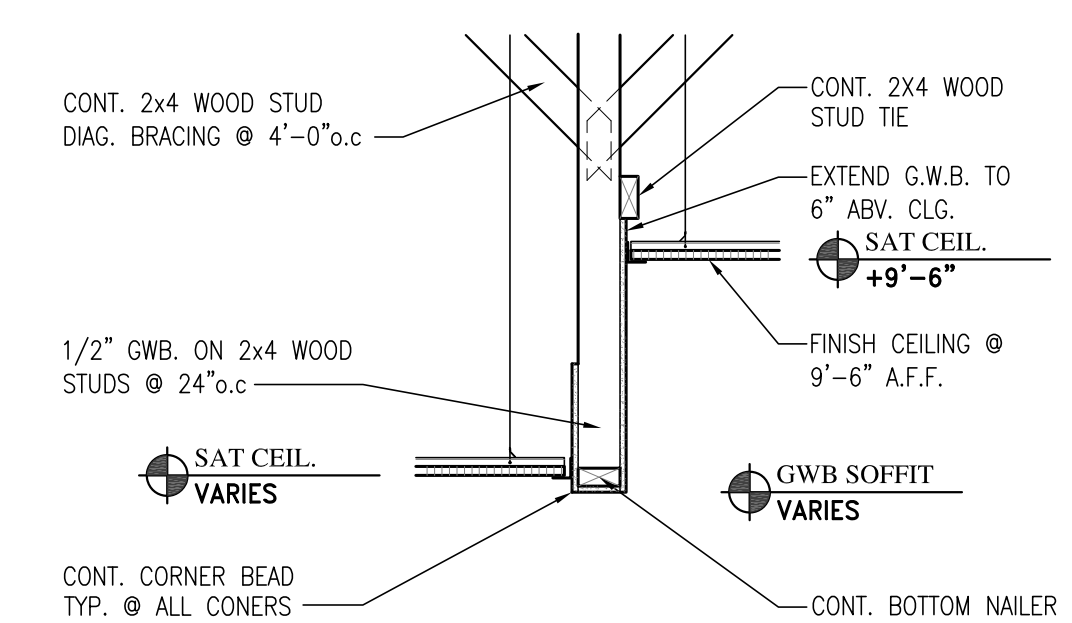
Reuse or reproduction of the contents of this document is not permitted without written permission of ALPHA ARCHITECTS



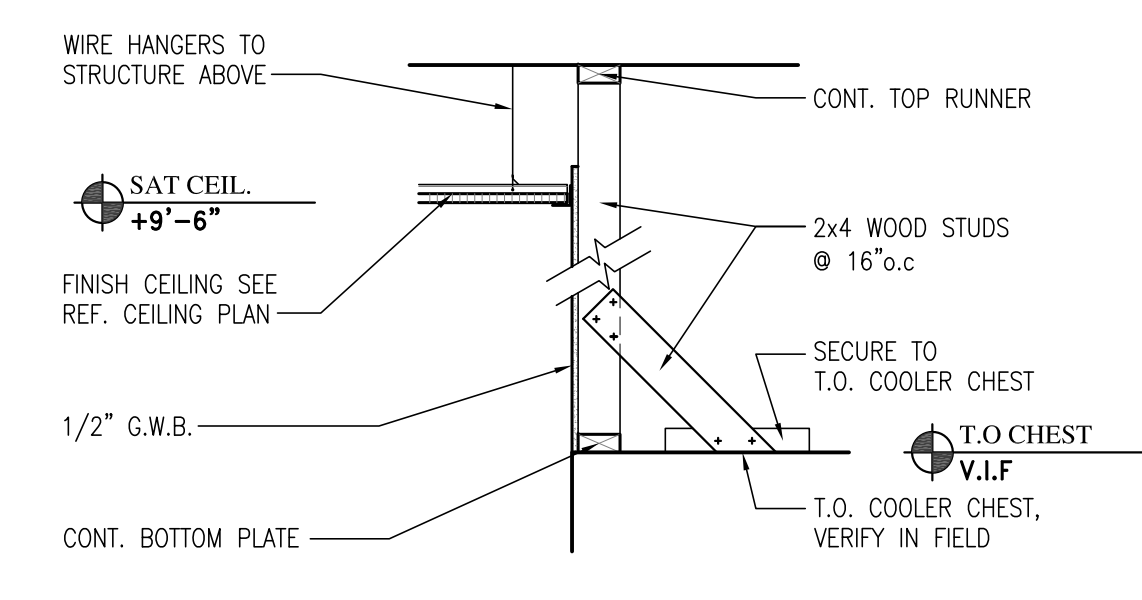
Portland Property Holdings LLC
2282 Congress Street
Portland, ME. 04102



FIRST FLOOR REFLECTED CEILING PLAN
SCALE: 1/4" = 1'-0"



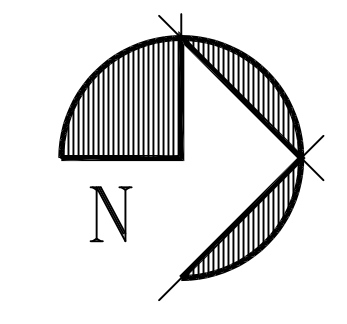
VERT. CLG. DROP DETAIL
SCALE: 3/4" = 1'-0"



CLOSURE @ COOLER CHEST DETAIL
SCALE: 3/4" = 1'-0"

REFLECTED CEILING PLAN LEGEND:

LIGHT FIXTURES:	CEILING MATERIAL:
2x4 PARABOLIC 18 CELL FLUORESCENT LIGHT FIXTURE	2x4 CEILING GRID w/ ACOUSTIC PANELS (ARMSTRONG SECOND LOOK II OR EQUAL)
2x4 FLUORESCENT LIGHT FIXTURE w/ PRISMATIC ACRYLIC LENS	GYP. BOARD CEILING PAINTED, RE: FINISH SCHEDULE
1x4 SUSPENDED STRIP FLUORESCENT FIXTURE (FOR COOLER / FREEZER)	GENERAL NOTES:
1x2 SUSPENDED STRIP FLUORESCENT FIXTURE	ALL "ABOVE CEILING" WORK INCLUDING MEP & INSTALLATION/COMPLETION OF DIFFUSERS, SPRINKLER HEADS BY GENERAL CONTRACTOR PERMITTED UNDER THIS SUBMITAL, AS PART OF THIS CONTRACT. TO BE APPROVED BY TENANT, CONTACT ARCHITECT WITH ANY DISCREPANCIES IN THE FIELD.
INTERIOR RECESSED LIGHT FIXTURE	GENERAL: CLG @ 10'-0" UNLESS OTHERWISE NOTED. PROVIDE WALL ANGLE SUPPORTS AT ANY CUT GRID CONDITIONS.
EXTERIOR RECESSED LIGHT FIXTURE	LIGHT FIXTURES: SHALL BE BUILDING STANDARD 2x4 FLUORESCENT U.N.O. RE: REFLECTED CEILING PLAN FOR EXACT LOCATIONS.
INTERIOR PENDANT LIGHT FIXTURE	GRID & TILE: ALL TILE SHALL BE BUILDING STANDARD, TEGULAR, WHITE, U.O.N.
RECESSED WALL WASHER LIGHT FIXTURE	ACT 1: ARMSTRONG CIRRUS SECOND LOOK III 2X4
WALL MOUNTED EXTERIOR EGRESS LIGHT	ACT 2: ARMSTRONG CERAMAGUARD 605 2X4
EXHAUST FAN	ACT 3: ARMSTRONG CIRRUS SECOND LOOK II 2X4
2'x2' HVAC SUPPLY AIR DIFFUSER	ACT 4: ARMSTRONG CORTEGA 2X4
2'x2' HVAC RETURN AIR GRILLE	PLUMBING: LOCATIONS TO BE FIELD VERIFIED. SUBMIT PROPOSED LAYOUT TO ARCHITECT FOR APPROVAL.
	MECHANICAL/HVAC SYSTEM: CONTRACTOR SHALL SUBMIT SHOP DRAWINGS FOR REVIEW AND APPROVAL BY ARCHITECT.



07-07-15

JOB: 12132

ISSUE DATE	
PRELIM	03-27-13
P BOARD	-
SFMO	09-04-14
CD's	-
REV. 1	-
PRINT	07-07-15

FIRST FLOOR
REFL. CEIL.PLAN
A1.3