

ALPHAarchitects
 17 CHESTNUT STREET
 PORTLAND, ME 04101
 PHONE: 207.761.9500
 FAX: 207.761.9595
 design@alphaarchitects.com

COPYRIGHT
 Reuse or reproduction of the contents of this document is not permitted without written permission of ALPHA ARCHITECTS



Portland Property Holdings LLC
 2282 Congress Street
 Portland, ME. 04102

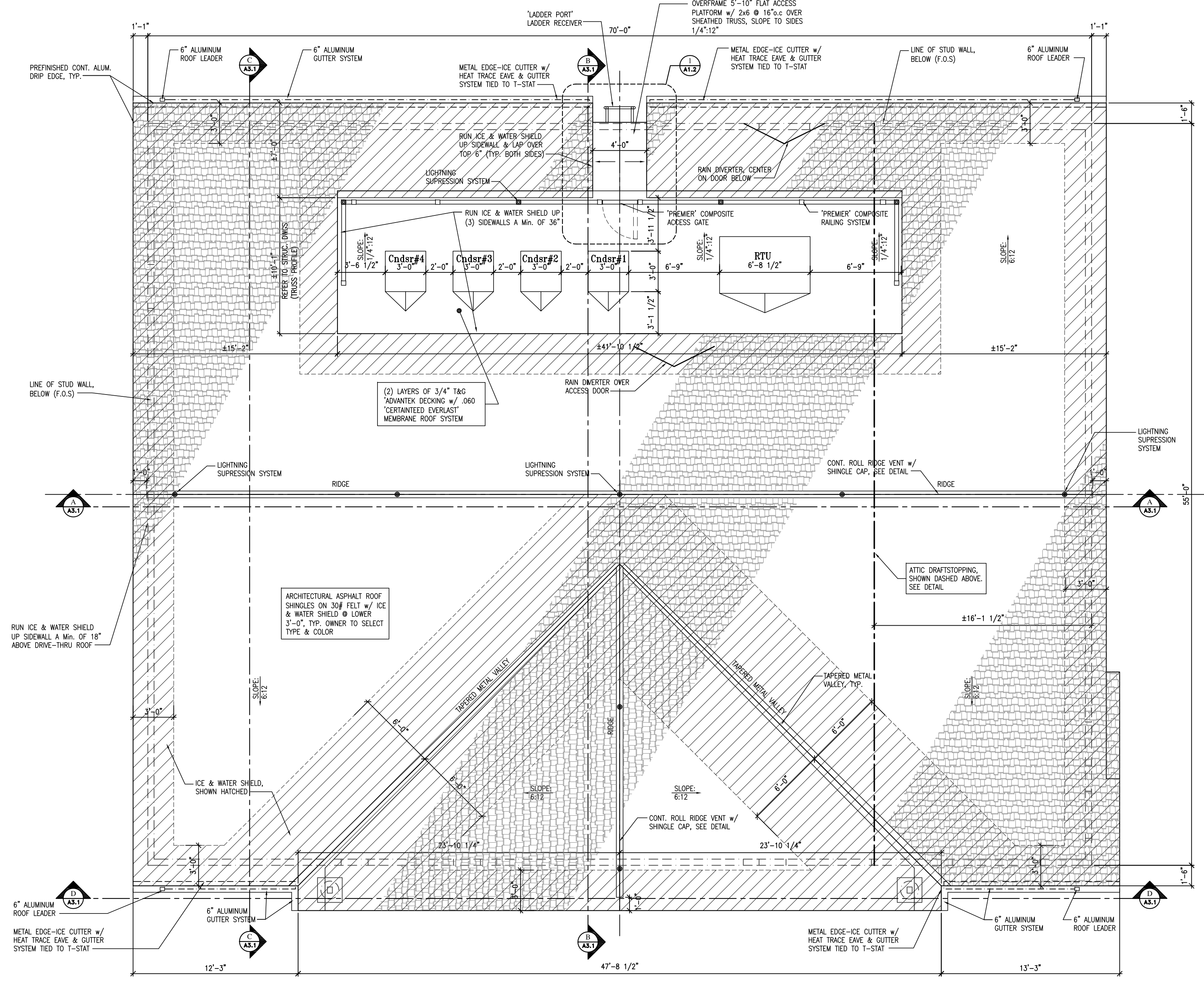
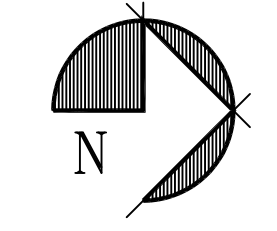
JOB: 12132

ISSUE DATE	
PRELIM	03-27-13
P BOARD	-
SFMO	09-04-14
CD's	-
REV. 1	-
PRINT	07-07-15

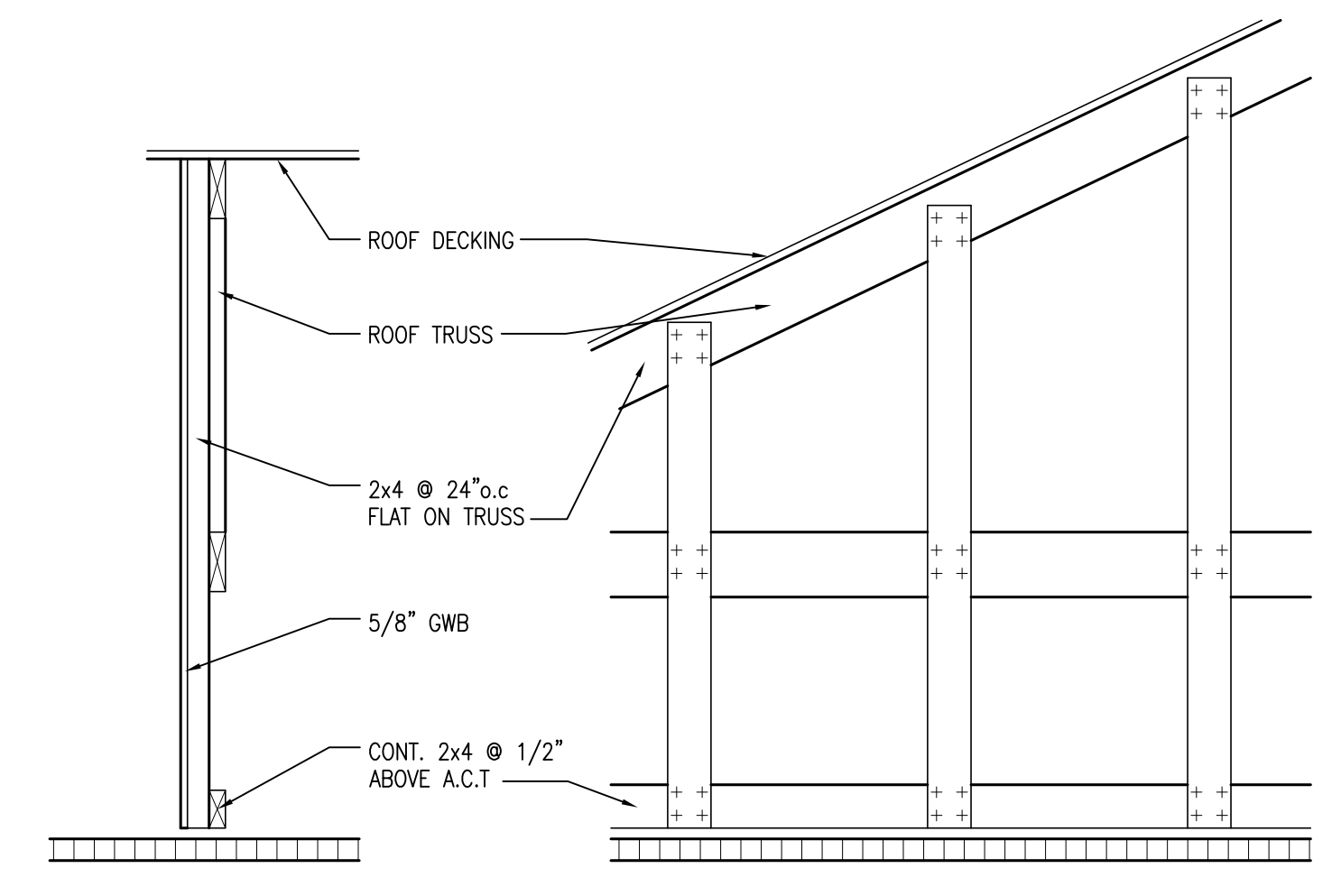
BASEMENT & ROOF PLANS & DETAILS

A1.2

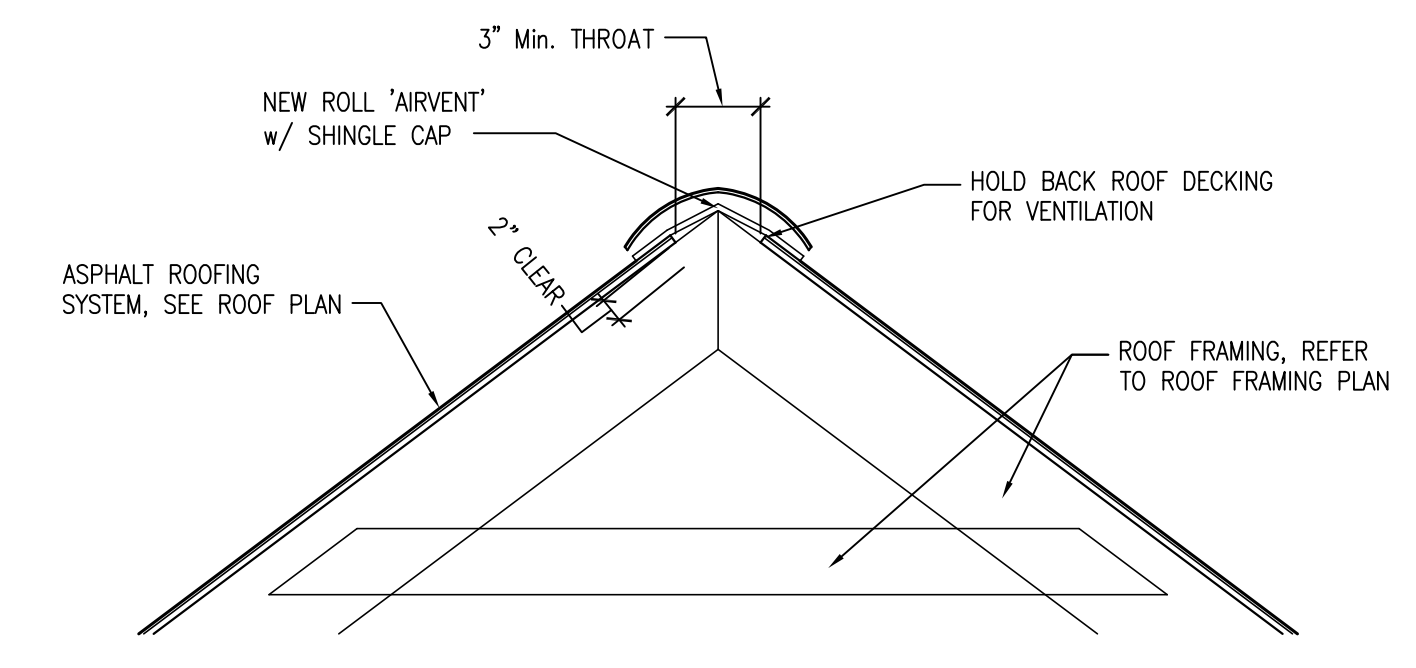
07-07-15



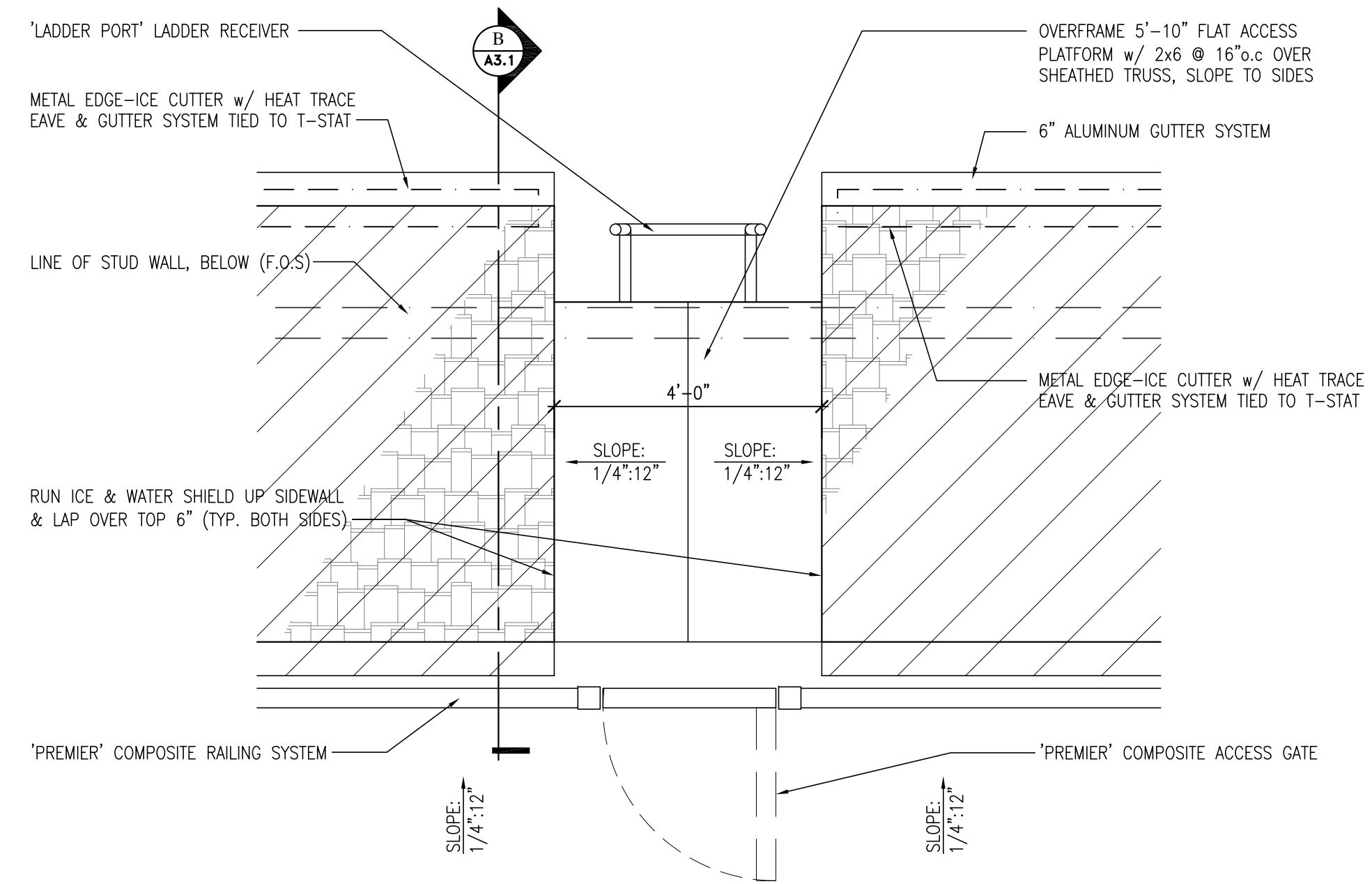
ROOF PLAN
 SCALE: 3/16" = 1'-0"



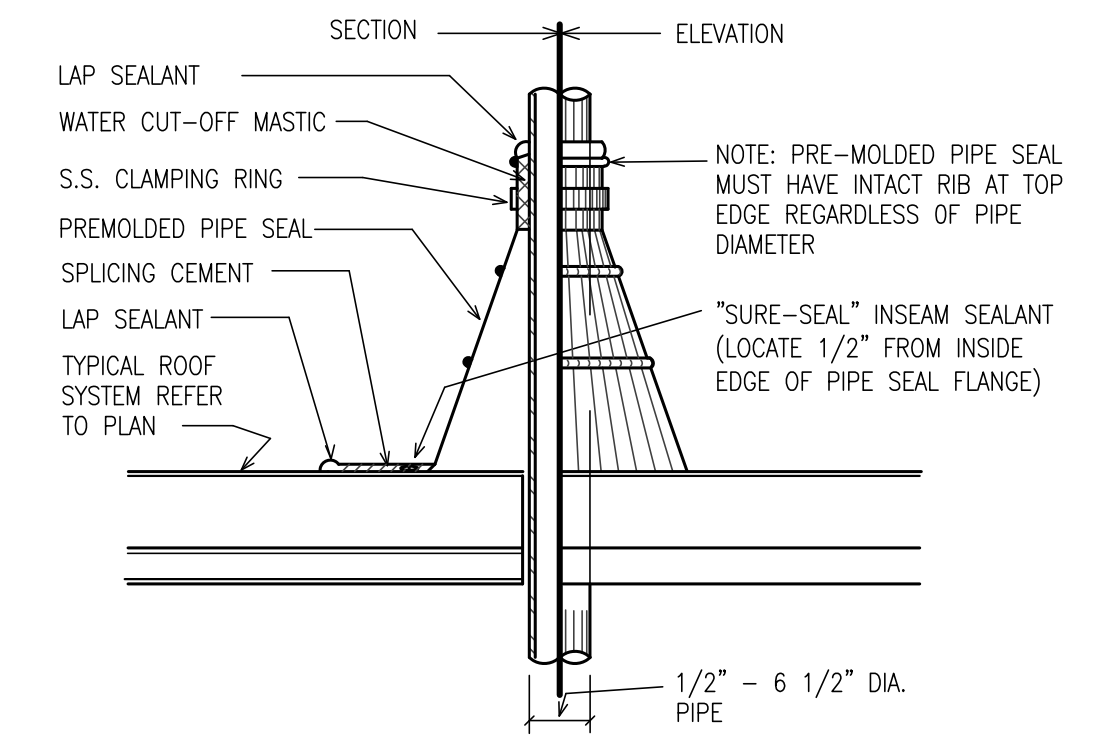
DRAFTSTOPPING DETAIL
 SCALE: 3/4" = 1'-0"



RIDGE VENT DETAIL
 SCALE: 3/4" = 1'-0"



ENLARGED ROOF ACCESS PLATFORM DETAIL
 SCALE: 1/4" = 1'-0"



VENT PIPE FLASHING DETAIL
 SCALE: 1 1/2" = 1'-0"